

INTERNATIONAL STANDARD

ISO 11903

Second edition
2008-11-01

Tools for pressing — Guide pillar mountings

Outillage de presse — Embases de guidage



Reference number
ISO 11903:2008(E)

© ISO 2008

PDF disclaimer

This PDF file may contain embedded typefaces. In accordance with Adobe's licensing policy, this file may be printed or viewed but shall not be edited unless the typefaces which are embedded are licensed to and installed on the computer performing the editing. In downloading this file, parties accept therein the responsibility of not infringing Adobe's licensing policy. The ISO Central Secretariat accepts no liability in this area.

Adobe is a trademark of Adobe Systems Incorporated.

Details of the software products used to create this PDF file can be found in the General Info relative to the file; the PDF-creation parameters were optimized for printing. Every care has been taken to ensure that the file is suitable for use by ISO member bodies. In the unlikely event that a problem relating to it is found, please inform the Central Secretariat at the address given below.



COPYRIGHT PROTECTED DOCUMENT

© ISO 2008

All rights reserved. Unless otherwise specified, no part of this publication may be reproduced or utilized in any form or by any means, electronic or mechanical, including photocopying and microfilm, without permission in writing from either ISO at the address below or ISO's member body in the country of the requester.

ISO copyright office
Case postale 56 • CH-1211 Geneva 20
Tel. + 41 22 749 01 11
Fax + 41 22 749 09 47
E-mail copyright@iso.org
Web www.iso.org

Published in Switzerland

Foreword

ISO (the International Organization for Standardization) is a worldwide federation of national standards bodies (ISO member bodies). The work of preparing International Standards is normally carried out through ISO technical committees. Each member body interested in a subject for which a technical committee has been established has the right to be represented on that committee. International organizations, governmental and non-governmental, in liaison with ISO, also take part in the work. ISO collaborates closely with the International Electrotechnical Commission (IEC) on all matters of electrotechnical standardization.

International Standards are drafted in accordance with the rules given in the ISO/IEC Directives, Part 2.

The main task of technical committees is to prepare International Standards. Draft International Standards adopted by the technical committees are circulated to the member bodies for voting. Publication as an International Standard requires approval by at least 75 % of the member bodies casting a vote.

Attention is drawn to the possibility that some of the elements of this document may be the subject of patent rights. ISO shall not be held responsible for identifying any or all such patent rights.

ISO 11903 was prepared by Technical Committee ISO/TC 29, *Small tools*, Subcommittee SC 8, *Tools for pressing and moulding*.

This second edition cancels and replaces the first edition (ISO 11903:1996), of which it constitutes a minor revision. In particular, the indication of surface textures has been updated in accordance with ISO 1302:2002¹⁾ and the iron designation in accordance with ISO 185.

1) ISO 1302:2002, *Geometrical Product Specifications (GPS) — Indication of surface texture in technical product documentation*.

Tools for pressing — Guide pillar mountings

1 Scope

This International Standard specifies the dimensions and tolerances, in millimetres, of guide pillar mountings intended for mounting with or without guide bush.

It also specifies the material and the designation of guide pillar mountings that are in accordance with its specifications.

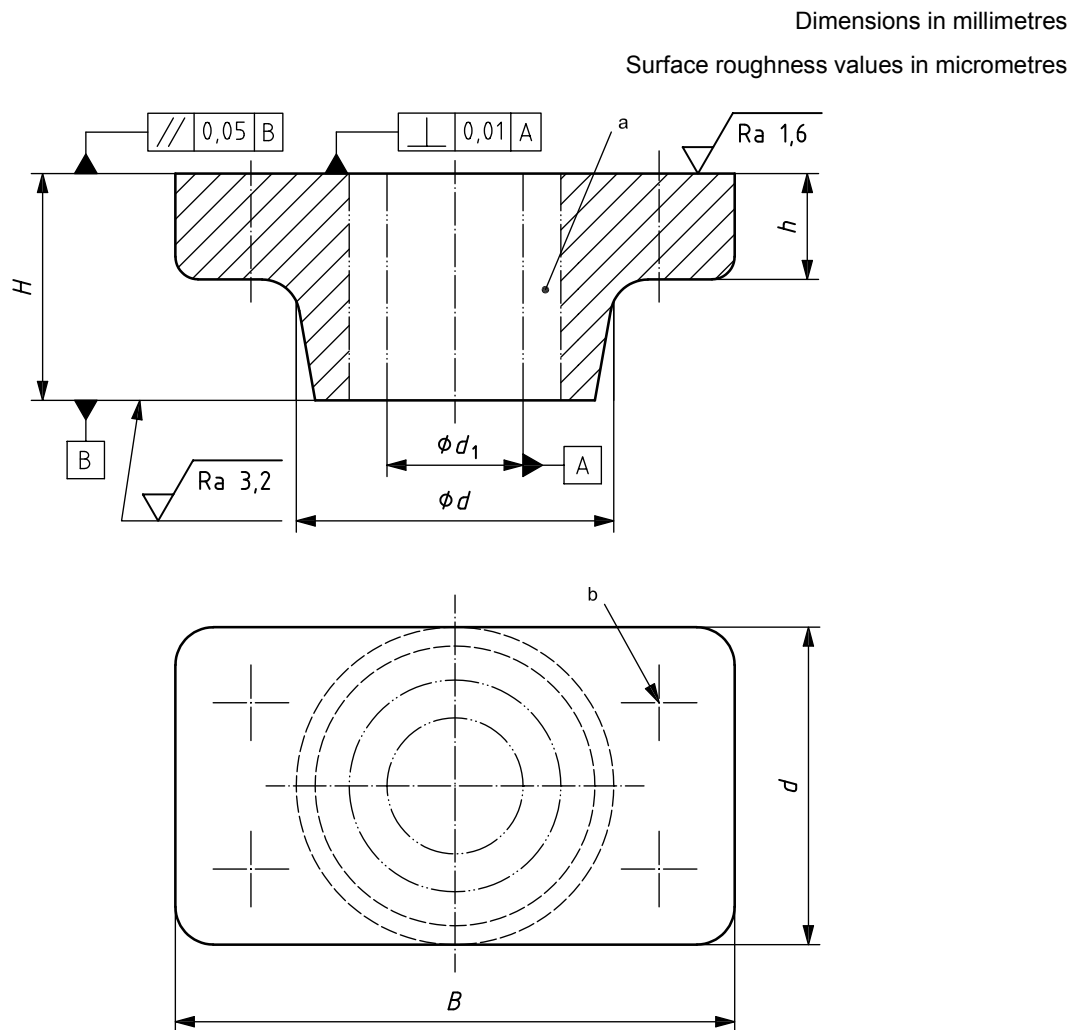
2 Normative references

The following referenced documents are indispensable for the application of this document. For dated references, only the edition cited applies. For undated references, the latest edition of the referenced document (including any amendments) applies.

ISO 185, *Grey cast irons — Classification*

3 Dimensions

The dimensions of guide pillar mountings with bush shall conform to the indications in Figure 1 and Table 1.

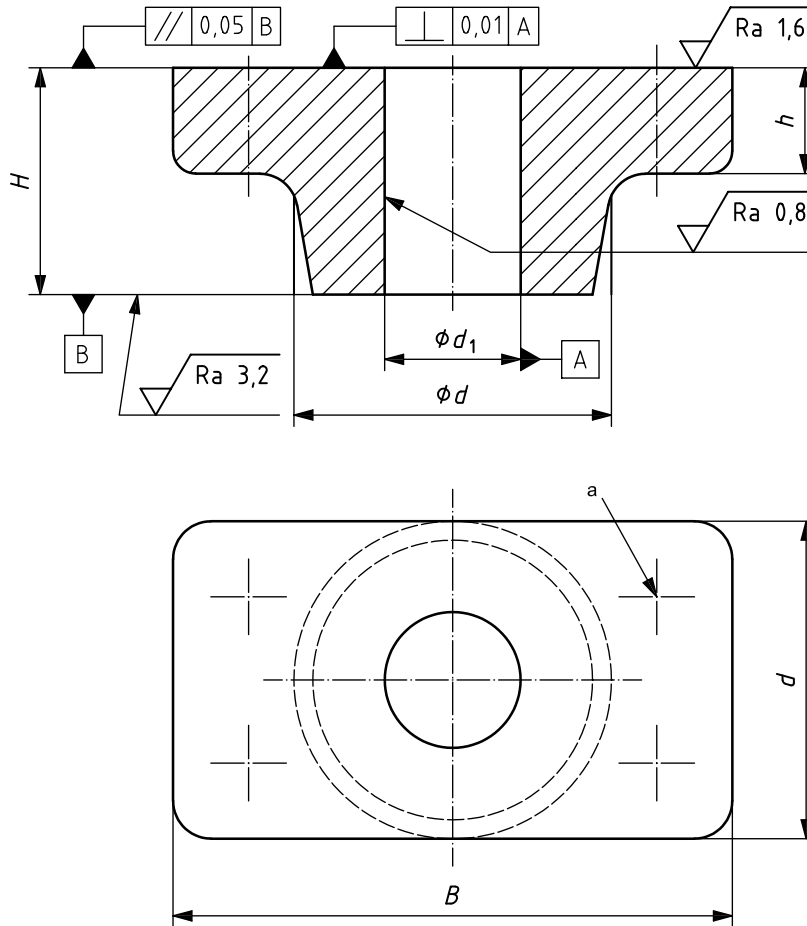


- a The bush is left to the manufacturer's discretion.
- b The mounting holes are left to the manufacturer's discretion.

Figure 1 — Guide pillar mounting with bush

The dimensions of guide pillar mountings without bush shall conform to the indications in Figure 2 and Table 1.

Dimensions in millimetres
Surface roughness values in micrometres



^a The mounting holes are left to the manufacturer's discretion.

Figure 2 — Guide pillar mounting without bush

Table 1 — Dimensions of guide pillar mountings

Dimensions in millimetres

d_1^a	B	d	H $\pm 0,05$	h min.
12	56	32	25	12,5
16	71	40	25	16
20	80	45	32	18
25	90	56	40	18
32	112	71	50	20
40	132	85	63	25
50	160	112	80	28
63	200	132	100	36
80	224	140	125	40
100	250	160	140	45

^a To prevent incorrect assembly of the upper and lower plates of the die set in relation to each other, the following values of d_1 are recommended: 11, 15, 19, 24, 30, 38 and 48.

4 Material

Guide pillar mountings shall be manufactured from grey cast iron ISO 185/JL/250 as defined in ISO 185 or from any material with equivalent mechanical characteristics.

5 Designation

Guide pillar mountings in accordance with this International Standard shall be designated by the following:

- a) "Guide pillar mounting";
- b) reference to this International Standard, i.e. ISO 11903;
- c) guide pillar diameter d_1 , in millimetres;
- d) when applicable, identification of guide bush.

EXAMPLE The designation for a guide pillar mounting without bush, with guide pillar diameter $d_1 = 25$, is as follows:

Guide pillar mounting ISO 11903 - 25

ISO 15926-2:2018

Vertical line of small characters or a barcode-like artifact.

ICS 25.120.10

Price based on 4 pages