

INTERNATIONAL STANDARD

NORME INTERNATIONALE

**Alarm systems – Intrusion and hold-up systems –
Part 2-73: Intrusion detectors – Glass break detectors (active)**

**Systèmes d'alarme – Systèmes d'alarme contre l'intrusion et les hold-up –
Partie 2-73: Détecteurs d'intrusion – Détecteurs de bris de glace (actifs)**



THIS PUBLICATION IS COPYRIGHT PROTECTED

Copyright © 2015 IEC, Geneva, Switzerland

All rights reserved. Unless otherwise specified, no part of this publication may be reproduced or utilized in any form or by any means, electronic or mechanical, including photocopying and microfilm, without permission in writing from either IEC or IEC's member National Committee in the country of the requester. If you have any questions about IEC copyright or have an enquiry about obtaining additional rights to this publication, please contact the address below or your local IEC member National Committee for further information.

Droits de reproduction réservés. Sauf indication contraire, aucune partie de cette publication ne peut être reproduite ni utilisée sous quelque forme que ce soit et par aucun procédé, électronique ou mécanique, y compris la photocopie et les microfilms, sans l'accord écrit de l'IEC ou du Comité national de l'IEC du pays du demandeur. Si vous avez des questions sur le copyright de l'IEC ou si vous désirez obtenir des droits supplémentaires sur cette publication, utilisez les coordonnées ci-après ou contactez le Comité national de l'IEC de votre pays de résidence.

IEC Central Office
3, rue de Varembe
CH-1211 Geneva 20
Switzerland

Tel.: +41 22 919 02 11
Fax: +41 22 919 03 00
info@iec.ch
www.iec.ch

About the IEC

The International Electrotechnical Commission (IEC) is the leading global organization that prepares and publishes International Standards for all electrical, electronic and related technologies.

About IEC publications

The technical content of IEC publications is kept under constant review by the IEC. Please make sure that you have the latest edition, a corrigenda or an amendment might have been published.

IEC Catalogue - webstore.iec.ch/catalogue

The stand-alone application for consulting the entire bibliographical information on IEC International Standards, Technical Specifications, Technical Reports and other documents. Available for PC, Mac OS, Android Tablets and iPad.

IEC publications search - www.iec.ch/searchpub

The advanced search enables to find IEC publications by a variety of criteria (reference number, text, technical committee,...). It also gives information on projects, replaced and withdrawn publications.

IEC Just Published - webstore.iec.ch/justpublished

Stay up to date on all new IEC publications. Just Published details all new publications released. Available online and also once a month by email.

Electropedia - www.electropedia.org

The world's leading online dictionary of electronic and electrical terms containing more than 30 000 terms and definitions in English and French, with equivalent terms in 15 additional languages. Also known as the International Electrotechnical Vocabulary (IEV) online.

IEC Glossary - std.iec.ch/glossary

More than 60 000 electrotechnical terminology entries in English and French extracted from the Terms and Definitions clause of IEC publications issued since 2002. Some entries have been collected from earlier publications of IEC TC 37, 77, 86 and CISPR.

IEC Customer Service Centre - webstore.iec.ch/csc

If you wish to give us your feedback on this publication or need further assistance, please contact the Customer Service Centre: csc@iec.ch.

A propos de l'IEC

La Commission Electrotechnique Internationale (IEC) est la première organisation mondiale qui élabore et publie des Normes internationales pour tout ce qui a trait à l'électricité, à l'électronique et aux technologies apparentées.

A propos des publications IEC

Le contenu technique des publications IEC est constamment revu. Veuillez vous assurer que vous possédez l'édition la plus récente, un corrigendum ou amendement peut avoir été publié.

Catalogue IEC - webstore.iec.ch/catalogue

Application autonome pour consulter tous les renseignements bibliographiques sur les Normes internationales, Spécifications techniques, Rapports techniques et autres documents de l'IEC. Disponible pour PC, Mac OS, tablettes Android et iPad.

Recherche de publications IEC - www.iec.ch/searchpub

La recherche avancée permet de trouver des publications IEC en utilisant différents critères (numéro de référence, texte, comité d'études,...). Elle donne aussi des informations sur les projets et les publications remplacées ou retirées.

IEC Just Published - webstore.iec.ch/justpublished

Restez informé sur les nouvelles publications IEC. Just Published détaille les nouvelles publications parues. Disponible en ligne et aussi une fois par mois par email.

Electropedia - www.electropedia.org

Le premier dictionnaire en ligne de termes électroniques et électriques. Il contient plus de 30 000 termes et définitions en anglais et en français, ainsi que les termes équivalents dans 15 langues additionnelles. Egalement appelé Vocabulaire Electrotechnique International (IEV) en ligne.

Glossaire IEC - std.iec.ch/glossary

Plus de 60 000 entrées terminologiques électrotechniques, en anglais et en français, extraites des articles Termes et Définitions des publications IEC parues depuis 2002. Plus certaines entrées antérieures extraites des publications des CE 37, 77, 86 et CISPR de l'IEC.

Service Clients - webstore.iec.ch/csc

Si vous désirez nous donner des commentaires sur cette publication ou si vous avez des questions contactez-nous: csc@iec.ch.



IEC 62642-2-73

Edition 1.0 2015-10

INTERNATIONAL STANDARD

NORME INTERNATIONALE

**Alarm systems – Intrusion and hold-up systems –
Part 2-73: Intrusion detectors – Glass break detectors (active)**

**Systèmes d'alarme – Systèmes d'alarme contre l'intrusion et les hold-up –
Partie 2-73: Détecteurs d'intrusion – Détecteurs de bris de glace (actifs)**

INTERNATIONAL
ELECTROTECHNICAL
COMMISSION

COMMISSION
ELECTROTECHNIQUE
INTERNATIONALE

ICS 13.320

ISBN 978-2-8322-2918-7

**Warning! Make sure that you obtained this publication from an authorized distributor.
Attention! Veuillez vous assurer que vous avez obtenu cette publication via un distributeur agréé.**

CONTENTS

FOREWORD.....	5
INTRODUCTION.....	7
1 Scope.....	8
2 Normative references	8
3 Terms, definitions and abbreviations	8
3.1 Terms and definitions.....	8
3.2 Abbreviations.....	9
4 Functional requirements	9
4.1 Event processing	9
4.2 Operational requirements.....	11
4.2.1 Time interval between intrusion signals or messages.....	11
4.2.2 Switch on delay	11
4.2.3 Self tests	12
4.3 Detection	12
4.3.1 Detection performance.....	12
4.3.2 Indication of detection.....	13
4.4 Immunity to false alarm sources.....	13
4.4.1 General	13
4.4.2 Immunity to small objects hitting the glass.....	13
4.4.3 Immunity to soft objects hitting the glass	13
4.4.4 Immunity to hard objects hitting the glass	13
4.4.5 Immunity to static pressure	13
4.4.6 Immunity to dynamic pressure	13
4.4.7 Immunity to wide band noise.....	13
4.5 Tamper security	13
4.5.1 General	13
4.5.2 Resistance to and detection of unauthorised access to the inside of the detector through covers and existing holes	14
4.5.3 Detection of removal from the mounting surface	14
4.5.4 Detection of masking	14
4.5.5 Immunity to magnetic field interference.....	15
4.6 Electrical requirements	15
4.6.1 General	15
4.6.2 Detector current consumption	15
4.6.3 Slow input voltage rise and voltage range limits.....	15
4.6.4 Input voltage ripple	15
4.6.5 Input voltage step change.....	15
4.7 Environmental classification and conditions	15
4.7.1 Environmental classification.....	15
4.7.2 Immunity to environmental conditions	15
5 Marking, identification and documentation	16
5.1 Marking and/or identification	16
5.2 Documentation.....	16
6 Testing	16
6.1 General.....	16
6.2 General test conditions	16

6.2.1	Standard laboratory conditions for testing.....	16
6.2.2	General detection testing environment and procedures.....	17
6.3	Basic detection test.....	17
6.3.1	General	17
6.3.2	Basic test source	17
6.3.3	Basic detection test method.....	18
6.4	Performance tests.....	18
6.4.1	General	18
6.4.2	Verification of detection performance.....	18
6.4.3	Hole drilling with a diamond hole saw	19
6.4.4	Glass cutting	20
6.5	Switch-on delay, time interval between signals, and indication of detection.....	20
6.6	Fault condition signals or messages: self tests	20
6.7	Tests of immunity to false alarm sources	21
6.7.1	General	21
6.7.2	Immunity to small objects hitting the glass	21
6.7.3	Immunity to soft objects hitting the glass	22
6.7.4	Immunity to hard objects hitting the glass	22
6.7.5	Immunity to static pressure.....	23
6.7.6	Immunity to dynamic pressure	23
6.7.7	Immunity to wide band noise based using flat steel rulers.....	24
6.7.8	Immunity to wide band noise based using IC's.....	24
6.8	Tamper security	25
6.8.1	General	25
6.8.2	Prevention of unauthorised access to the inside of the detector through covers and existing holes	25
6.8.3	Detection of removal from the mounting surface	25
6.8.4	Resistance to magnetic field interference	25
6.8.5	Detection of masking	25
6.9	Electrical tests	26
6.9.1	General	26
6.9.2	Detector current consumption	26
6.9.3	Slow input voltage change and input voltage range limits	26
6.9.4	Input voltage ripple	27
6.9.5	Input voltage step change.....	27
6.9.6	Total loss of power supply	27
6.10	Environmental classification and conditions	27
6.11	Marking, identification and documentation	29
6.11.1	Marking and/or identification.....	29
6.11.2	Documentation	29
Annex A	(normative) Catalogue of standard glass types	30
Annex B	(informative) List of small tools suitable for testing immunity of casing to attack.....	31
Annex C	(normative) Dimensions and requirements of a standard test magnet	32
C.1	Reference documents	32
C.2	Requirements	32
Annex D	(normative) Immunity test: small objects hit sensitivity.....	35
Annex E	(normative) Immunity test: soft objects hit sensitivity.....	36
Annex F	(normative) Immunity test: hard objects hit sensitivity	37

Annex G (normative) Immunity test: static pressure sensitivity	38
Annex H (normative) Immunity test: dynamic pressure sensitivity.....	39
Annex I (normative) General testing matrix	40
Annex J (normative) Performance test setup and alternative performance test setup	42
J.1 Performance test setup	42
J.2 Alternative performance test setup.....	43
Annex K (normative) Performance sensitivity test	45
Bibliography.....	46
Figure C.1 – Test magnet – Magnet type 1	33
Figure C.2 – Test magnet – Magnet type 2	34
Figure D.1 – Immunity test setup for small object hit sensitivity.....	35
Figure E.1 – Immunity test setup for soft object hit sensitivity	36
Figure F.1 – Immunity test setup for hard object hit sensitivity	37
Figure G.1 – Immunity test setup for static pressure sensitivity	38
Figure H.1 – Immunity test setup for dynamic pressure sensitivity.....	39
Figure J.1 – Performance test setup	42
Figure J.2 – Alternative performance test setup	44
Figure K.1 – Combined sensor element surface mounted glass break detectors test setup	45
Figure K.2 – Sender and receiver pair surface mounted glass break detectors test setup	45
Table 1 – Events to be processed by grade	10
Table 2 – Generation of Indication signals or messages.....	11
Table 3 – Performance test requirements.....	12
Table 4 – Tamper security requirements	14
Table 5 – Electrical requirements	15
Table 6 – Wide band noise simulation based on flat steel rulers	24
Table 7 – Operational tests.....	28
Table 8 – Endurance tests	28
Table A.1 – Standard glass types.....	30
Table J.1 – Performance test matrix.....	43
Table J.2 – Alternative performance test matrix	43

INTERNATIONAL ELECTROTECHNICAL COMMISSION

ALARM SYSTEMS – INTRUSION AND HOLD-UP SYSTEMS –**Part 2-73: Intrusion detectors – Glass break detectors (active)**

FOREWORD

- 1) The International Electrotechnical Commission (IEC) is a worldwide organization for standardization comprising all national electrotechnical committees (IEC National Committees). The object of IEC is to promote international co-operation on all questions concerning standardization in the electrical and electronic fields. To this end and in addition to other activities, IEC publishes International Standards, Technical Specifications, Technical Reports, Publicly Available Specifications (PAS) and Guides (hereafter referred to as “IEC Publication(s)”). Their preparation is entrusted to technical committees; any IEC National Committee interested in the subject dealt with may participate in this preparatory work. International, governmental and non-governmental organizations liaising with the IEC also participate in this preparation. IEC collaborates closely with the International Organization for Standardization (ISO) in accordance with conditions determined by agreement between the two organizations.
- 2) The formal decisions or agreements of IEC on technical matters express, as nearly as possible, an international consensus of opinion on the relevant subjects since each technical committee has representation from all interested IEC National Committees.
- 3) IEC Publications have the form of recommendations for international use and are accepted by IEC National Committees in that sense. While all reasonable efforts are made to ensure that the technical content of IEC Publications is accurate, IEC cannot be held responsible for the way in which they are used or for any misinterpretation by any end user.
- 4) In order to promote international uniformity, IEC National Committees undertake to apply IEC Publications transparently to the maximum extent possible in their national and regional publications. Any divergence between any IEC Publication and the corresponding national or regional publication shall be clearly indicated in the latter.
- 5) IEC itself does not provide any attestation of conformity. Independent certification bodies provide conformity assessment services and, in some areas, access to IEC marks of conformity. IEC is not responsible for any services carried out by independent certification bodies.
- 6) All users should ensure that they have the latest edition of this publication.
- 7) No liability shall attach to IEC or its directors, employees, servants or agents including individual experts and members of its technical committees and IEC National Committees for any personal injury, property damage or other damage of any nature whatsoever, whether direct or indirect, or for costs (including legal fees) and expenses arising out of the publication, use of, or reliance upon, this IEC Publication or any other IEC Publications.
- 8) Attention is drawn to the Normative references cited in this publication. Use of the referenced publications is indispensable for the correct application of this publication.
- 9) Attention is drawn to the possibility that some of the elements of this IEC Publication may be the subject of patent rights. IEC shall not be held responsible for identifying any or all such patent rights.

International Standard IEC 62642-2-73 has been prepared by IEC technical committee 79: Alarm and electronic security systems.

This standard is based on EN 50131-2-7-3 (2012) and its IS1 (2014).

The text of this standard is based on the following documents:

FDIS	Report on voting
79/513/FDIS	79/529/RVD

Full information on the voting for the approval of this standard can be found in the report on voting indicated in the above table.

This publication has been drafted in accordance with the ISO/IEC Directives, Part 2.

A list of all parts in the IEC 62642 series, published under the general title *Alarm systems – Intrusion and hold-up systems*, can be found on the IEC website.

The committee has decided that the contents of this publication will remain unchanged until the stability date indicated on the IEC website under "<http://webstore.iec.ch>" in the data related to the specific publication. At this date, the publication will be

- reconfirmed,
- withdrawn,
- replaced by a revised edition, or
- amended.

INTRODUCTION

This part 2-73 of the IEC 62642 series concerns intrusion and hold-up alarm systems (I&HAS) installed in buildings. It includes devices that are installed inside or outside of the supervised premises and mounted in indoor or outdoor environments. The other parts of this series of standards are as follows:

- Part 1 System requirements
- Part 2-2 Intrusion detectors – Passive infrared detectors
- Part 2-3 Intrusion detectors – Microwave detectors
- Part 2-4 Intrusion detectors – Combined passive infrared / Microwave detectors
- Part 2-5 Intrusion detectors – Combined passive infrared / Ultrasonic detectors
- Part 2-6 Intrusion detectors – Opening contacts (magnetic)
- Part 2-71 Intrusion detectors – Glass break detectors (acoustic)
- Part 2-72 Intrusion detectors – Glass break detectors (passive)
- Part 2-73 Intrusion detectors – Glass break detectors (active)
- Part 3 Control and indicating equipment
- Part 4 Warning devices
- Part 5-3 Interconnections – Requirements for equipment using radio frequency techniques
- Part 6 Power supplies
- Part 7 Application guidelines
- Part 8 Security fog devices/systems

ALARM SYSTEMS – INTRUSION AND HOLD-UP SYSTEMS –

Part 2-73: Intrusion detectors – Glass break detectors (active)

1 Scope

This part of IEC 62642 defines active surface mounted glass break detectors installed in buildings and provides for security grades 1 to 4 (see IEC 62642-1), specific or non-specific wired or wire-free detectors, and uses environmental classes I to IV (see IEC 62599-1). This International Standard does not include requirements for active surface mounted glass break detectors intended for use outdoors.

A detector complies with all the requirements of the specified grade.

Functions additional to the mandatory functions specified in this standard may be included in the detector, providing they do not adversely influence the correct operation of the mandatory functions.

This International Standard does not apply to system interconnections.

2 Normative references

The following documents, in whole or in part, are normatively referenced in this document and are indispensable for its application. For dated references, only the edition cited applies. For undated references, the latest edition of the referenced document (including any amendments) applies.

IEC 60068-2-52:1984, *Basic environmental testing procedures – Part 2: Tests – Test Kb: Salt mist, cyclic (sodium, chloride solution)*¹

IEC 62599-1, *Alarm systems – Part 1: Environmental test methods*

IEC 62599-2, *Alarm systems – Part 2: Electromagnetic compatibility – Immunity requirements for components of fire and security alarm systems*

IEC 62642-1, *Alarm systems – Intrusion and hold-up systems – Part 1: System requirements*

3 Terms, definitions and abbreviations

For the purposes of this document, the terms, definitions and abbreviations given in IEC 62642-1, as well as the following apply.

3.1 Terms and definitions

3.1.1

glass breakage

physical destruction of a glass pane, which allows intrusion to the monitored area, for example in doors, windows or enclosures

¹ First edition. This edition has been replaced in 1996 by IEC 60068-2-52:1996, *Environmental testing – Part 2: Tests – Test Kb: Salt mist, cyclic (sodium, chloride solution)*.

3.1.2

active surface mounted glass break detector

detector that detects changes to the integrity of a glass surface it is mounted on by sending, receiving and processing signals

3.1.3

basic test source

signal simulator designed to verify the basic function of the detector

3.1.4

incorrect operation

physical condition that causes an inappropriate signal or message from a detector

3.1.5

basic detection test

test whose purpose is to verify the operation of a detector after conditioning

3.1.6

masking

interference with the detector input capability such as an introduction of a physical barrier (e.g. metal, plastic, paper or sprayed paints or lacquers in close proximity to the detector) or changing the characteristics of the monitored area (e.g. placing wet newspapers on the outside of the monitored glass pane)

3.1.7

standard immunity glass pane

glass pane to be used for all immunity tests, where a glass pane is needed, according to Annex A

3.1.8

simultaneous installation

installation of more than one detector or sensor pair of one detector type (e.g. sender and receiver) for one or more detector's processing units

3.2 Abbreviations

BTS Basic test source

EMC Electromagnetic compatibility

4 Functional requirements

4.1 Event processing

Detectors shall process the events shown in Table 1. Detectors shall generate signals or messages as shown in Table 2.

Table 1 – Events to be processed by grade

Event	Grade			
	1	2	3	4
Intrusion	M	M	M	M
No stimulus ^a	M	M	M	M
Masking	Op	Op	M	M
Tamper	Op	M	M	M
Low supply voltage – wire free devices	M	M	M	M
Low supply voltage – wired devices	Op	Op	Op	M
Total loss of power supply ^b	Op	M	M	M
Local self test ^c	Op	Op	M	M
Remote self test	Op	Op	Op	M
<p>Key</p> <p>M = Mandatory</p> <p>Op = Optional</p>				
<p>^a 'No stimulus' is considered to be the quiet condition, while no alarm generating stimulus for a detector at that time applies to the detector input capabilities.</p> <p>^b Mandatory for wire-free at all grades. Only required if power is for normal local operation, e.g. purely switch based solutions do not fall under this requirement; however if signal processing (except if it is the CIE itself) is required to process the output of the sensor, such an event shall be generated alternatively no generation of a message or signal is required when the condition is detected by the CIE due to system design.</p> <p>^c Mandatory for all grade 4 devices. For grade 3 devices only required in case of MCU based solutions based on Software / Firmware sensor input analysis and signal processing.</p>				

Table 2 – Generation of Indication signals or messages

Event	Signals or messages		
	Intrusion	Tamper	Fault
Intrusion	M	NP	NP
No stimulus	NP	NP	NP
Masking ^a	M	Op	M
Tamper	NP	M	NP
Low supply voltage	Op	Op	M
Total loss of power supply ^b	M	Op	Op
Local self test pass	NP	NP	NP
Local self test fail	NP	NP	M
Remote self test pass	M	NP	NP
Remote self test fail	NP	NP	M
M = mandatory NP = Not permitted Op = Optional			
^a An independent masking signal or message may be provided instead. ^b Alternatively total loss of power supply shall be determined by loss of communication with the detector. This permits two methods of signalling a masking event: either by the intrusion signal and fault signal, or by a dedicated output. Use of the intrusion signal and fault signal is preferable, as this requires fewer connections between CIE and detector. If multiple events overlap there will be some signal combinations that may be ambiguous. To overcome this ambiguity it is suggested that detectors should not signal 'intrusion' and 'fault' at the same time except to indicate masking. This implies that the detector should prioritise signals, e.g. 1 Intrusion, 2 Fault, 3 Masking. When, in Table 1, an event may optionally generate signals or messages, they shall be as shown in this table.			

4.2 Operational requirements

4.2.1 Time interval between intrusion signals or messages

Wired detectors shall be able to provide an intrusion signal or message not more than 15 s after the end of the preceding intrusion signal or message.

Wire free detectors shall be able to provide an intrusion signal or message after the end of the preceding intrusion signal or message within the following times:

Grade 1	300 s
Grade 2	180 s
Grade 3	30 s
Grade 4	15 s

4.2.2 Switch on delay

The detector shall meet all functional requirements within 180 s of the power supply reaching its nominal voltage as specified by the manufacturer.

4.2.3 Self tests

4.2.3.1 Local self test

The detector shall automatically test itself at least once every 24 h according to the requirements of Tables 1 and 2. If normal operation of the detector is inhibited during a local self-test, the detector inhibition time shall be limited to a maximum of 30 s in any period of 2 h.

4.2.3.2 Remote self test

A detector shall process remote self tests and generate signals or messages in accordance with Tables 1 and 2 within 10 s of the remote self test signal being received, and shall return to normal operation within 30 s of the remote test signal being received.

4.3 Detection

4.3.1 Detection performance

4.3.1.1 General

The detector shall generate an intrusion signal or message when a simulated or real glass breakage according to the corresponding requirements of Table 3 is performed.

Table 3 – Performance test requirements

Requirement	Grade 1	Grade 2	Grade 3	Grade 4
Verification of detection performance	M	M	M	M
Performance test: hole drilling with diamond hole saw	Op	Op	Op	M
Performance test: glass cutting	Op	Op	Op	M
M = Mandatory Op = Optional				

4.3.1.2 Verification of detection performance

This test will verify the detection performance for sensitivity and a break through the glass according to the supported conditions claimed by the manufacturer. It will verify the maximum covering range (sensitivity performance test) and the break through detection (breakage performance test), according to Annex A for different glass types and sizes claimed to be supported (types and dimensions) by the manufacturer. A number of standard glass types and sizes need to be passed by this test according to the corresponding test section.

4.3.1.3 Performance test for hole drilling with a diamond hole saw

This test will verify the detection performance by drilling a hole using a diamond hole saw on different glass types and dimensions according to the supported conditions claimed by the manufacturer and Annex A. It will verify if the detector is able to identify and signal the change of the integrity of the monitored side of the glass pane.

4.3.1.4 Performance test for glass cutting

This test will verify the detection performance by cutting the glass using a standard glass cutter on different glass types and dimensions according to the supported conditions claimed by the manufacturer and Annex A. It will verify if the detector is able to identify and signal the change of the integrity of the monitored side of the glass pane.

4.3.2 Indication of detection

Powered detectors at grades 3 and 4 that include processing capabilities shall provide an indicator at the detector to indicate when an intrusion signal or message has been generated.

At grades 3 and 4 this indicator shall be capable of being enabled and disabled remotely at access level 2.

4.4 Immunity to false alarm sources

4.4.1 General

The detector shall have sufficient immunity to false alarm sources if the following requirements have been met. No intrusion signal or message shall be generated as a result of the false alarm sources according to each individual test clause.

The tests for this clause will be performed on the standard immunity test glass pane as defined in 3.1.7, wherever a glass pane is required.

4.4.2 Immunity to small objects hitting the glass

The detector shall not generate an intrusion signal or message when small objects such as hail, sand, gravel etc. hit the outside of the monitored glass. The tests are described in 6.7.2.

4.4.3 Immunity to soft objects hitting the glass

The detector shall not generate an intrusion signal or message when soft objects (e.g. a human fist) hit the outside of the monitored glass. The tests are described in 6.7.3.

4.4.4 Immunity to hard objects hitting the glass

The detector shall not generate an intrusion signal or message when hard objects (e.g. handlebars of a bicycle) hit the outside of the monitored glass. The tests are described in 6.7.4.

4.4.5 Immunity to static pressure

The detector shall not generate an intrusion signal or message when permanent pressure changes applied to the monitored glass. The tests are described in 6.7.5.

4.4.6 Immunity to dynamic pressure

The detector shall not generate an intrusion signal or message when dynamic pressure changes (due to wind, etc.) applied to the monitored glass. The tests are described in chapter 6.7.6.

4.4.7 Immunity to wide band noise

The detector shall not generate an intrusion signal or message when a wide band of frequencies at the same time, which are close to the frequency of a glass breakage (e.g. branches of a tree moving against the window) are applied to the detector. The tests are described in 6.7.7 and 6.7.8.

4.5 Tamper security

4.5.1 General

Tamper security requirements for each grade of a detector are shown in Table 4.

Table 4 – Tamper security requirements

Requirement	Grade 1	Grade 2	Grade 3	Grade 4
Resistance to access to the inside of the detector	M	M	M	M
Detection of access to the inside of the detector ^a	Op	M	M	M
Removal from the mounting surface ^b	Op	M ^c	M	M
Detection of masking	Op	Op	M	M
Magnetic field Immunity	Op	M	M	M
Magnet type defined in Annex C		Type 1	Type 2	Type 2
M = Mandatory Op = Optional ^a Not required for wired detectors which are fully potted and where it is not possible to get access to any adjustments or components. ^b At grade 2 and grade 3 not required if the detector / sensor element is mounted properly according to the manufacturers instructions with a two – component / epoxy glue (adhesive and activator), which supports the requested environmental conditions when mounted and fixed. ^c At grade 2 required for wire free detectors only, if the wire free detectors do not use a two – component / epoxy glue (adhesive and activator) for fixing.				

4.5.2 Resistance to and detection of unauthorised access to the inside of the detector through covers and existing holes

All components and means of adjustment which, when interfered with, could adversely affect the operation of the detector, shall be located within the detector housing. Such access shall require the use of an appropriate tool and depending on the grade as specified in Table 4 shall generate a tamper signal or message before access can be gained.

It shall not be possible to gain access without generating a tamper signal or message or causing visible damage.

4.5.3 Detection of removal from the mounting surface

A tamper signal or message shall be generated if the detector is removed from its mounting surface, in accordance with Table 4.

4.5.4 Detection of masking

Means shall be provided to detect inhibition of the operation of the detector by masking according to the requirements of Table 4. Alternatively, the detector shall continue to operate normally.

The maximum response time for the masking detection device shall be 180 s. Masking shall be signalled according to the requirements of Table 2. The signals or messages shall remain for at least as long as the masking condition is present. A masking signal or message shall not be reset while the masking condition is still present. Alternatively the masking signal or message shall be generated again within 180 s of being reset if the masking condition is still present.

NOTE From a system design point of view it would be preferable for masked detectors to automatically reset after the masking condition is removed.

The detection of masking shall operate when the I&HAS is both set and unset.

4.5.5 Immunity to magnetic field interference

It shall not be possible to inhibit any signals or messages with a magnet of grade dependence according to Table 4. The magnet types shall be as described in Annex C.

4.6 Electrical requirements

4.6.1 General

These requirements do not apply to detectors having Type C power supplies. For these detectors refer to IEC 62642-6. For detectors having an external power supply, the requirements appear in Table 5.

Table 5 – Electrical requirements

Test	Grade 1	Grade 2	Grade 3	Grade 4
Detector current consumption	Required	Required	Required	Required
Input voltage range	Required	Required	Required	Required
Slow input voltage rise	Not required	Required	Required	Required
Input voltage ripple	Not required	Required	Required	Required
Input voltage step change	Not required	Required	Required	Required

4.6.2 Detector current consumption

The detector's quiescent and maximum current consumption shall not exceed the figures claimed by the manufacturer at the nominal input voltage.

4.6.3 Slow input voltage rise and voltage range limits

The detector shall meet all functional requirements when the input voltage lies between $\pm 25\%$ of the nominal value, or between the manufacturers range limits if greater. When the supply voltage is raised slowly, the detector shall function normally at the specified range limits.

4.6.4 Input voltage ripple

The detector shall meet all functional requirements during the sinusoidal variation of the input voltage by $\pm 10\%$ of nominal, at a frequency of 100 Hz.

4.6.5 Input voltage step change

No signals or messages shall be caused by a step in the input voltage between maximum or minimum and nominal values of the input voltage.

4.7 Environmental classification and conditions

4.7.1 Environmental classification

The environmental classification is described in IEC 62642-1 and shall be specified by the manufacturer.

4.7.2 Immunity to environmental conditions

All detectors shall meet the requirements of the relevant environmental class and equipment class as specified by the manufacturer of the environmental tests described in Table 6 and Table 7. These tests shall be performed in accordance with IEC 62599-1 and IEC 62599-2.

Impact tests shall not be carried out on delicate detector components such as LEDs or microphones.

Unless specified otherwise for operational tests operational tests, the detector shall not generate unintentional intrusion, tamper, fault or other signals or messages when subjected to the specified range of environmental conditions.

For endurance tests, the detector shall continue to meet the requirements of this standard after being subjected to the specified range of environmental conditions.

5 Marking, identification and documentation

5.1 Marking and/or identification

Marking and/or identification shall be applied to the product in accordance with the requirements of IEC 62642-1.

5.2 Documentation

The product shall be accompanied with clear and concise documentation conforming to the main systems document IEC 62642-1. The documentation shall additionally state:

- a) a list of all options, functions, inputs, signals or messages, indications and their relevant characteristics;
- b) any disallowed field adjustable control settings or combinations of these;
- c) where alignment adjustments are provided, these shall be labelled as to their function;
- d) the manufacturer's quoted nominal operating voltage and the maximum and quiescent current consumption at that voltage;
- e) the detection range (minimum and maximum) and coverage diagram. The installation instructions shall be clear and concise that the maximum range will include the farthest point from the sensor input to any point of the monitored glass;
- f) all types, maximum size, minimum and maximum thickness of glass for which the detector is claimed to detect;
- g) any restrictions according to the mounting location of the detector, or any other restrictions which apply to the performance of the detector;
- h) any specific settings needed to meet the requirements of this document at the claimed grade.

6 Testing

6.1 General

The tests are intended to be primarily concerned with verifying the correct operation of the detector to the specification provided by the manufacturer. All the test parameters specified shall carry a general tolerance of $\pm 10\%$ unless otherwise stated. A list of tests appears as a general test matrix in Annex I.

6.2 General test conditions

6.2.1 Standard laboratory conditions for testing

The general atmospheric conditions in the measurement and tests laboratory shall be those specified below, unless stated otherwise.

Temperature	15 °C to 35 °C
Relative humidity	25 % RH to 75 % RH
Air pressure	86 kPa to 106 kPa

6.2.2 General detection testing environment and procedures

6.2.2.1 General

Manufacturer's documented instructions regarding mounting and operation shall be read and applied to all tests.

6.2.2.2 Testing environment

The detectors or sensor elements will be mounted according to the manufacturer's description on the monitored object (glass window or door glass pane). Some tests will be performed on the monitored object, others will be performed on panes (unframed window), where the detectors are mounted directly on.

6.2.2.3 Test procedures

The tests will be performed with the types of glass claimed by the manufacturer. These tests will be performed with the sizes and thicknesses of glass as specified in Annex A.

Additionally, tests will be performed with the maximum size claimed by the manufacturer if this is greater than the maximum size specified in Annex A.

Additional test will be performed with the thinnest glass claimed by the manufacturer, if this is thinner than the minimum thickness specified in Annex A.

The detector shall be connected to the nominal supply voltage and connected to the monitoring system that is appropriate to the test. The detector shall be allowed to stabilise for 180 s. The intrusion signal or message output shall be monitored. If multiple sensitivity modes are available, any non-compliant modes shall be identified by the manufacturer. All compliant modes shall be tested.

6.3 Basic detection test

6.3.1 General

The purpose of the basic detection test is to verify that a detector is still operational after a test or tests has/have been carried out. The basic detection test verifies only the qualitative performance of the detector. The basic detection test is performed using the BTS.

6.3.2 Basic test source

For functional verification there shall be a device available which will simulate a glass breakage or destruction, without breaking the glass (BTS), alternatively a pane of standard sized glass (see Annex A) can be broken to verify the detection. The Basic Test Source (BTS) which is specified by the manufacturer simulates the breaking of a standard glass window by the low energy attack test.

This device should be a test device, which is specified for testing through simulation of a glass break from or recommended by the manufacturer.

This device should simulate a glass breakage or destruction, by pressing the device onto the monitored glass and simulating a sound, frequency or condition, which needs to be detected.

6.3.3 Basic detection test method

The detector shall generate an intrusion signal or message when a test device (BTS) is used to simulate a glass breakage. The test will be performed according to the manufacturer's instructions after the first installation, to verify, that all detectors are installed properly. It will be performed again, after or / and during the environmental tests under the same conditions the tests had been performed the first time, to verify that the detectors will still function the way, the manufacturer claims to support (e.g. detection range) and to compare this results with the results of the initial test.

If the test is not compatible with the detector, use the manufacturer's information to generate the correct algorithm.

The detector(s) shall produce an intrusion signal or message when exposed to an alarm stimulus both before and after being subjected to any test that may adversely affect its performance.

6.4 Performance tests

6.4.1 General

The general test conditions of 6.2.2 shall apply to all tests in this series.

Detection performance shall be tested against the manufacturer's documented claims. Any variable controls shall be set to the values recommended by the manufacturer to achieve the claimed performance.

The detectors shall be assessed in the specified test environment.

6.4.2 Verification of detection performance

6.4.2.1 General

All performance tests are based on physical destruction characteristics (e.g. the sound of breakage) of the size, thickness and types of glass claimed to be supported by the manufacturer including the standard glass types listed in Annex A, if claimed to be supported by the manufacturer.

6.4.2.2 Sensitivity performance test

The test will be performed for each glass type claimed to be supported by the manufacturer. Each glass pane will be positioned on top of the support / distance pieces, to ensure that the glass break signal can reach the detectors undampened.

Three sender and receiver pairs (or combined sensor elements) shall be mounted according to the manufacturer's installation instructions on the monitored glass (if a simultaneous installation is not supported, the test shall be performed for each detector separately), at the maximum distance of the planned glass breakage claimed to be supported by the manufacturer. The maximum distance claimed to be supported, will determine the size of the glass pane.

This actually means that one combined sensor element will be mounted at the maximum distance and the rest of the combined sensor elements will be mounted parallel to this combined sensor element along the far edge of the glass according to Annex K, within the range claimed to be supported.

In case the sensor element consists out of a sender and receiver pair, they shall be installed according to the manufacturer's instruction and the maximum distance will be measured from the receiver element. In case more then one detector element can be tested at the same time,

the other two receivers shall be mounted adjacent to the first receiver element along the far edge to the glass according to Figures K.1 and K.2.

To verify the sensitivity, the edge of the glass will be broken with a pair of pliers at the far distance end relative to the position of one receiver or combined sensor element, given that the other 2 receiver or combined sensor elements are still in the claimed to be supported area. The pliers shall be placed in a way, that they will hold 100 mm² to 150 mm² of the glass, when the breakage is performed. The output of the detectors will be monitored for detection of the glass breakage. This will be performed 3 times for each glass type; it is allowed to repeat the test on the same pane, if the pane will support it.

Pass/fail criteria: 8 out of 9 attempts shall be detected for each glass type.

6.4.2.3 Breakage performance test

These tests shall use the physical destruction characteristics (e.g. the sound of breakage), thickness and types of glass claimed to be supported by the manufacturer including the standard glass types listed in Annex A, if claimed to be supported by the manufacturer:

For each glass type claimed to be supported by the manufacturer, 2 panes with nominal thickness of Annex A and standard size of Annex A will be tested by dropping a steel ball according to the test set up of Figures J.1 and J.2. 8 samples shall be used to measure the detection performance (if a simultaneous installation is not supported, the test shall be performed for each detector separately and may require one pane per detector).

Pass/fail criteria: At least 7 out of 8 attempts shall be detected for each glass type.

The detectors shall be mounted at different positions according to the installation instructions of the manufacturer.

6.4.3 Hole drilling with a diamond hole saw

This test will be performed according to the grading listed in Table 3.

The drilling of a hole using a diamond hole saw will be performed. It will be verified, if the detector is able to identify and signal the change of the integrity of the monitored side of the glass pane. Three detectors will be mounted according to the installation instructions of the manufacturer (if a simultaneous installation is supported, otherwise the test shall be repeated three times one by one). A diamond hole saw with a diameter of 20 mm (± 1 mm) will be used to drill a hole into the glass pane opposite to the monitored side. This will be performed once in the most distant position to the detector or its sensors and four times on randomly chosen positions within the coverage range claimed to be supported by the manufacturer.

Pass/fail criteria: The test is passed successfully, if the detector(s) has indicated the change of the integrity of the glass pane for the most distant position and detected at least three out of the four attempts on the randomly chosen positions. In case the change of integrity for the most distant position was not indicated, it is allowed to carry out three more tests in the most distant position, whereas all of them need to be indicated by the detector.

A change of integrity of a glass pane can be either a successful hole drilling or a destruction of the glass, complete or in parts, which allows access to the side where the detector or the sensor(s) are mounted.

These tests need to be repeated for each glass type with the maximum size and minimum thickness claimed to be supported by the manufacturer.

6.4.4 Glass cutting

This test will be performed according to the grading listed in Table 3.

Three detectors or sensor elements will be mounted according to the manufacturer's installation instructions (if a simultaneous installation is supported, otherwise the test shall be repeated three times one by one). A standard glass cutter will be used to cut a piece of glass on the opposite side where the detector or its sensor element is mounted and the cut piece will be carefully broken. This will be performed once in the most distance position to the detector or its sensors and four times on randomly chosen positions. At one location there will be a circle created, with a diameter of 100 mm \pm 10 mm and carefully removed out of the glass pane.

Pass/fail criteria: The test is passed successfully, if the detector(s) has indicated the change of the integrity of the glass pane for the most distant position and detected at least three out of the four attempts on the randomly chosen positions. In case the change of integrity for the most distant position was not indicated, it is allowed to carry out three more tests in the most distant position, whereas all of them need to be indicated by the detector.

A change of integrity of a glass pane can be either a successful glass cutting or a destruction of the glass, complete or in parts, which allows access to the side where the detector or the sensor(s) are mounted.

All of the tests need to be repeated for each glass type with the maximum size and minimum thickness claimed to be supported by the manufacturer.

6.5 Switch-on delay, time interval between signals, and indication of detection

The general test conditions of 6.2 shall apply.

Switch on the detector power with the indicator enabled (if provided) and allow 180 s for stabilisation. Carry out the basic detection test. Note the response. After the specified time interval between signals carry out the basic detection test. Note the response. Disable the intrusion indicator (if provided). After the specified time interval between signals carry out the basic detection test. Note the response.

Pass/fail criteria: The detector shall generate an intrusion signal or message in response to each of the three basic detection tests. For the first and second basic detection tests, the intrusion signal or message and the intrusion indicator (if provided) shall both respond. For the third basic detection test there shall be no indication.

6.6 Fault condition signals or messages: self tests

The general test conditions of 6.2 shall apply.

Carry out the basic detection test to verify that the detector is operating.

Pass/fail criteria: The detector shall generate an intrusion signal or message and shall not generate tamper or fault signals or messages.

For grade 3 and 4 detectors, monitor the detector during a local self test.

Pass/fail criteria: The detector shall not generate any intrusion, tamper or fault signals or messages.

For grade 4 detectors, monitor the detector during a remote self test. Note the response.

Pass/fail criteria: The detector shall generate an intrusion signal or message and shall not generate tamper or fault signals or messages.

Short the sensor signal output to ground or carry out an equivalent action as recommended by the manufacturer. For grade 3 and 4 detectors, monitor the detector during a local self test. For grade 4 detectors, also monitor the detector during a remote self test. For detectors with more than one sensor signal output, the test(s) shall be repeated for each output individually.

Pass/fail criteria: (local self test): The detector shall generate a fault signal or message and shall not generate intrusion or tamper signals or messages.

Pass/fail criteria: (remote self test): The detector shall generate a fault signal or message and shall not generate intrusion or tamper signals or messages.

It might be necessary to consult the detector manufacturer regarding the most appropriate method for initiating the specified faults.

6.7 Tests of immunity to false alarm sources

6.7.1 General

The general test conditions of 6.2 shall apply.

The purpose of this test section is to verify that impacts which will not result in a breakage of the monitored glass do not generate any type of signal or message to the CIE.

Before and after each of the following tests a basic functional test (6.3) will be performed, to verify that each detector is still in a valid working and detection condition.

The mounting positions of the detectors or corresponding sensor elements shall comply with the manufacturer's instructions.

For tests that require more than one detector, it is permissible to test the detectors separately, if advised by the manufacturer.

Pass/fail criteria: There shall be no change of status of the detector during each of the following tests. After each performed test a basic functional test shall generate an alarm signal or message.

6.7.2 Immunity to small objects hitting the glass

This test will simulate hail hitting the window.

Whereas 6 detectors or corresponding sensor elements will be mounted on the opposite ('inner') side of the standard immunity glass pane, 3 kg hail consisting out of Polyoxymethylene according the below specification will be dropped at the other ('out') side of a glass pane running through a plastic tube with a length of 1,80 m, which is mounted at a distance of 50 mm and where at the end the hail will hit the centre of the monitored standard immunity glass pane.

Polyoxymethylene (Delrin®)² ball specification:

² This information is given for the convenience of users of this standard and does not constitute an endorsement by IEC of the product named. Equivalent products may be used if they can be shown to lead to the same results.

Material	Delrin 500 or 100 (or equivalent)
Density	1 390 kg·m ⁻³ to 1 420 kg·m ⁻³ (ISO 1183)
Diameter	12 mm ± 1 mm
Quantity per kg	790 pieces to 800 pieces
Tensile strength	57 MPa to 59 MPa (ISO 527-1/ ISO 527-2)
Rockwell Hardness	115 HRR to 122 HRR (ISO 2039-2)

The test set up shall be according to Figure D.1.

The general Pass/fail criteria in 6.7.1 shall apply.

6.7.3 Immunity to soft objects hitting the glass

This test will simulate soft objects hitting the centre of the glass pane (e.g. a human fist).

Whereas 6 detectors or corresponding sensor elements will be mounted on the opposite ('inner') side of the standard immunity glass pane, a pendulum test with rubber ball with the following characteristics will be performed:

Pendulum object (A)	Rubber ball
Diameter	80 mm ± 5 mm
Weight	0,38 kg ± 0,05 kg
Angle α	60° ± 5°
Number of tests	5
Minimum pause between each test:	5 s

The connection between the steel ball and the upper most point of the pendulum is a cotton string with a diameter of <3 mm. Each test will consist out of one hit, without repeated bouncing.

The test set up shall be according to Figure E.1.

The general pass/fail criteria in 6.7.1 shall apply.

6.7.4 Immunity to hard objects hitting the glass

This test will simulate hard objects hitting the centre of the glass pane (e.g. handlebars of a bicycle).

Whereas 6 detectors or corresponding sensor elements will be mounted on the opposite ('inner') side of the standard immunity glass pane, a pendulum test with a steel ball with the following characteristics will be performed:

Pendulum object (A)	Hardened steel ball
Diameter	40 mm ± 3 mm
Weight	0,26 kg ± 0,03 kg
Angle α	27° ± 1°
Number of tests	5
Minimum pause between each test	5 s

The connection between the steel ball and the upper most point of the pendulum is a cotton string with a diameter of <3 mm. Each test will consist of one hit, without repeated bouncing.

The test set up shall be according to Figure F.1.

The general pass/fail criteria in 6.7.1 shall apply.

6.7.5 Immunity to static pressure

This test will simulate a permanent pressure against the centre of the glass (e.g. change of the power of installation of the glass over time / tense glass over time, objects which are leaned against the glass, etc.).

Whereas 6 detectors or corresponding sensor elements will be mounted on the opposite (“inner”) side of the standard immunity glass pane, a static pressure test with a pneumatic cylinder with the following characteristics will be performed:

Force with pressure object (F):	100 N ± 5 N tolerance
Exposure time:	5 s to 6 s
Number of tests:	5
Minimum pause between each test:	5 s

Description of pneumatic cylinder:

Type:	Pneumatic cylinder
Diameter of the touching surface element:	5 cm ± 0,2 cm
Type of surface of the touching surface element:	plain, PTFE

The test set up shall be according to Figure G.1.

The general pass/fail criteria in 6.7.1 shall apply

6.7.6 Immunity to dynamic pressure

This test will simulate dynamic changing pressures against the centre of the glass (e.g. change of air pressure, wind etc.).

Whereas 6 detectors or corresponding sensor elements will be mounted on the opposite (“inner”) side of the standard immunity glass pane, a dynamic pressure test with a pneumatic cylinder with the following characteristics will be performed:

Force with pressure object (F):	50 N ± 2,5 N tolerance
Exposure time:	1 s to 2 s
Number of tests:	5
Minimum pause between each test:	1 s

Description of pneumatic cylinder:

Type:	Pneumatic cylinder
Diameter of the touching surface element:	5 cm ± 0,2 cm
Type of surface of the touching surface element:	plain, PTFE

The test set up shall be according to Figure H.1.

The general pass/fail criteria in 6.7.1 shall apply.

6.7.7 Immunity to wide band noise based using flat steel rulers

This test will simulate a wide band of frequencies, which is close to the sound of a glass breakage.

As a test tool three different types of steel rulers of the following types and characteristics will be used:

- material: stainless steel with 18 % CR, 8 % Ni;
- 1 short steel ruler: 200 mm total length, Cross section 13 × 0,4 mm, app. 0,01 kg;
- 1 midsize steel ruler: 300 mm total length, Cross section 30 × 1 mm, app. 0,06 kg;
- 1 long steel ruler: 500 mm total length, Cross section 30 × 1 mm, app. 0,1 kg.

Whereas 6 detectors will be mounted on one side ('inner') of the standard immunity glass pane, each steel rule will be placed in different positions on the opposite side ('out') of the glass pane where the detectors are mounted, one end will be held down on the glass, the other end will be bent away and by immediate release snap against the glass according to the following table.

Table 6 – Wide band noise simulation based on flat steel rulers

Test – Steel ruler type	Description	
	End of ruler hold down distance	Distance the steel ruler is bent from glass
Short steel ruler	3 cm	≤ 12,5 cm
Midsize steel ruler	3,5 cm	≤ 15 cm
Long steel ruler	3,8 cm	≤ 10 cm

This will happen with different intensity and in a different frequency. With each ruler there should be 5 tests carried out

The general pass/fail criteria in 6.7.1 shall apply.

6.7.8 Immunity to wide band noise based using IC's

This test will simulate a wide band of frequencies, which is close to the sound of a glass breakage.

As a test tool there will be an Integrated Circuit (IC) with hardened legs / pins DIP40 PIN IC's or equivalent used. The standard immunity glass pane shall be used. The scratching will happen on the opposite side of the glass pane where the detectors are mounted.

Whereas 6 detectors or corresponding sensor elements will be mounted on the one (“inner”) side of the standard immunity glass pane it will be scratched on the opposite (“outer”) side, the maximum test time should last 2 min.

The general pass/fail criteria in 6.7.1 shall apply.

6.8 Tamper security

6.8.1 General

The general test conditions of 6.2.1 shall apply.

6.8.2 Prevention of unauthorised access to the inside of the detector through covers and existing holes

Mount the detector according to the manufacturer’s recommendations. Using commonly available small tools such as those specified in Annex B and by attempting to distort the housing attempt to gain access to all components and means of adjustment which, when interfered with, could adversely affect the operation of the detector.

Pass/fail criteria: Normal access shall require the use of an appropriate tool. For the grades specified in Table 4, it shall not be possible to gain access to any components, means of adjustment which, when interfered with, could adversely affect the operation of the detector, without generating a tamper signal or message or causing visible damage.

6.8.3 Detection of removal from the mounting surface

Confirm the operation of the back tamper device by removing the detector from the mounting surface. Place the unit on the mounting surface without permanently mounting it. Slowly lift the detector away from the mounting surface and attempt to prevent the tamper device from operating by inserting a strip of steel between 100 mm and 200 mm long by 10 mm to 20 mm wide, and 1 mm thick, between the rear of the detector and its mounting surface.

Pass/fail criteria: A tamper signal or message shall be generated before the tamper device can be inhibited.

6.8.4 Resistance to magnetic field interference

Connect power to the detector and wait 180 s. A magnet of nominal remanence in accordance with Annex C and Table 4 shall be placed on each surface of the detector housing in sequence whilst the basic detection test is performed. The magnet shall be applied in a manner that ensures that a single magnetic pole contacts the surface, to maximize flux penetration. Record the response of the detector.

Then interrogate each tamper detection device and record any change of state, including the state of the relay. The magnets shall be as specified in Annex C.

Pass/fail criteria: A tamper signal or message shall be produced, according to Table 4 or the detector shall continue to work normally without a signal or message being generated. The presence of the magnet shall not prevent correct generation of any signal or message.

6.8.5 Detection of masking

A wet newspaper shall be placed on the opposite to the monitored side of the standard immunity glass pane, covering the overall surface of the pane. After the material had been applied to the pane wait 180 s for the system to stabilise and perform a breakage of the glass pane according to Clause J.1.

Pass/fail criteria: Either an intrusion or / and a fault signal or message or an independent anti-masking signal or message shall be generated within 180 s of the masking material being applied, and shall continue to be generated as long as the material is in place. Alternatively, the detector shall continue to operate normally.

If the test failed, it shall be repeated twice more. Two passes out of the three tests shall constitute a passed test.

6.9 Electrical tests

6.9.1 General

The BTS given in 6.3 shall be used where appropriate for verification. Connect the detector to a variable, stabilised power supply and allow it to stabilise for at least 180 s.

Table 5 specifies grade dependency.

6.9.2 Detector current consumption

This test is not applicable to detectors with type C power supplies.

Connect the detector to a suitable variable, stabilised power supply with a current measuring meter in series. Connect a voltmeter across the power input terminals of the detector. Set the voltage to the nominal supply voltage and allow the detector to stabilise for at least 180 s.

Place the detector in the mode which draws the maximum current as described by the manufacturer and measure the current drawn.

Place the detector in the mode which draws quiescent current as described by the manufacturer and measure the current drawn.

Pass/fail criteria: The current shall not exceed the manufacturer's stated values by more than 20 % in either mode.

6.9.3 Slow input voltage change and input voltage range limits

Connect the detector to a suitable variable, stabilised power supply.

Raise the supply voltage from zero at a rate of $0,1 \text{ V}\cdot\text{s}^{-1}$ in steps not greater than 10 mV until the nominal supply voltage $V -25 \%$ is reached, or the minimum supply voltage specified by the manufacturer, whichever is lower. Allow the detector to stabilise for 180 s.

Monitor the intrusion and fault signals or messages and carry out the basic detection test. This test is not applicable to detectors with type C power supplies.

Pass/fail criteria: The basic detection test shall cause an intrusion signal or message and shall not cause a fault signal or message.

Reset the input voltage to the nominal $V +25 \%$ or the maximum level specified by the manufacturer, whichever is greater. Allow the detector to stabilise for 180 s. Monitor the intrusion and fault signals or messages and carry out the basic detection test. This test is not applicable to detectors with type C power supplies.

Pass/fail criteria: The basic detection test shall cause an intrusion signal or message and shall not cause a fault signal or message.

For detectors of the grade dependent requirements according to Table 1, lower the supply voltage at a rate of $0,1 \text{ V}\cdot\text{s}^{-1}$ in steps of not more than 10 mV until a fault signal or message is generated. Carry out the basic detection test.

Pass/fail criteria: For detectors of the grade dependent requirements according to Table 1, the detector shall generate a fault signal or message according to the requirements of Table 2 prior to the situation where no intrusion signal or message is generated when the basic detection test is carried out.

6.9.4 Input voltage ripple

This test is not applicable to detectors with type C power supplies.

Set a signal generator to the nominal voltage V . Allow 180 s for the detector to stabilise. Modulate the detector supply voltage V by $\pm 10\%$ at a frequency of 100 Hz for a further 180 s.

During the application of the ripple carry out a basic detection test. Observe whether any intrusion or fault signals or messages are generated.

Pass/fail criteria: There shall be no unintentional signals or messages generated by the detector during the voltage ripple test. There shall be an intrusion signal or message generated by the BTS.

6.9.5 Input voltage step change

This test is not applicable to detectors with type C power supplies.

Connect the detector to a square wave generator limited to a maximum current of 1 A, capable of switching from the nominal supply voltage V to the nominal voltage $V \pm 25\%$ in 1 ms.

Set the input voltage to the nominal supply voltage V and allow at least 180 s for the detector to stabilise. Monitor intrusion and fault signals or messages. Apply ten successive square wave pulses from nominal supply voltage V to $V + 25\%$, of duration 5 s at intervals of 10 s. Repeat the step change test for the voltage range V to $V - 25\%$.

Pass/fail criteria: There shall be no unintentional signals or messages generated by the detector during the test.

6.9.6 Total loss of power supply

This test is not applicable to detectors with type C power supplies.

Connect the detector to a suitable variable, stabilised power supply. Set the voltage to the nominal supply voltage and allow the detector to stabilise for at least 180 s.

Monitor the intrusion and fault signals or messages and disconnect the detector from the power supply.

Pass/fail criteria: The detector shall either generate signals or messages according to the requirements of Table 2. Alternatively total loss of power supply may be determined by loss of communication with the detector by the CIE.

6.10 Environmental classification and conditions

Unless stated otherwise the general test conditions of 6.2.1 shall apply.

Detectors shall be subjected to the environmental conditioning described in IEC 62599-1 according to the requirements of Tables 7 and 8, and the tests of the EMC product family standard IEC 62599-2.

Detectors subjected to the operational tests are always powered. Detectors subjected to the endurance tests are always un-powered.

Monitor the detector for unintentional intrusion and (where applicable) tamper signals or messages. No functional test is required during the tests.

After the tests and any recovery period prescribed by the environmental test standard carry out the basic detection test, and visually inspect the detector both internally and externally for signs of mechanical damage.

After the water ingress test, wipe any water droplets from the exterior of the enclosure, dry the detector, and carry out the basic detection test. Warm air shall not be used for drying.

After the SO₂ test, detectors shall be washed and dried in accordance with the procedure prescribed in IEC 60068-2-52:1984 (First edition). The basic detection test shall be performed immediately after drying.

Table 7 – Operational tests

Test	Environmental classification		
	Class I	Class II	Class III
Dry heat	Required	Required	Required
Cold	Required	Required	Required
Damp heat (steady state)	Required	Not required	Not required
Damp heat (cyclic)	Not required	Required	Required
Water ingress	Not required	Not required	Required
Mechanical shock	Required	Required	Required
Vibration	Required	Required	Required
Impact	Required	Required	Required
EMC	Required	Required	Required

Pass/fail criteria: No unintentional signals or messages shall occur during the tests. There shall be no signs of mechanical damage after the tests and the detector shall continue to meet the requirements of the basic detection test.

Table 8 – Endurance tests

Test	Environmental classification		
	Class I	Class II	Class III
Damp heat (steady state)	Required	Required	Required
Damp heat (cyclic)	Not required	Not required	Required
SO ₂ corrosion	Not required	Required	Required
Vibration (sinusoidal)	Required	Required	Required

Pass/fail criteria: There shall be no signs of mechanical damage after the tests and the detector shall continue to meet the requirements of the basic detection test.

6.11 Marking, identification and documentation

6.11.1 Marking and/or identification

Examine the detector visually to confirm that it is marked either internally or externally with the required marking and / or identification (given in IEC 62642-1).

Pass/fail criteria: All specified markings shall be present.

6.11.2 Documentation

By visual inspection ensure the detector has been supplied with clear and concise installation instructions and maintenance functions, all information specified in this standard and in IEC 62642-1, and the manufacturers claimed performance data.

Pass/fail criteria: All information specified shall be present.

Annex A
(normative)

Catalogue of standard glass types

Please find in the Table A.1 below the standard glass types to be used in the individual test sections, when required.

Table A.1 – Standard glass types

Type of glass	Nominal thickness	Acceptable variation
Plate / Float	6 mm	± 2 mm
Coated (thickness of glass plus a foil)*	6 mm	± 3 mm
Tempered	6 mm	± 2 mm
Laminated	6 mm	± 3 mm
Sealed insulating**	4 mm	± 2 mm
Wired	6 mm	± 2 mm
<p>* Coated glass will be considered to be coated for non-intrusion purpose. Coated glass for intrusion purpose shall be handled and tested like laminated glass.</p> <p>** The here mentioned thickness, describes the thickness of the inner glass. The distance between the inner and the outer glass pane shall be between 10 mm to 20 mm.</p>		

The dimensions for the glass panes in this annex are:

Maximum size	1 000 mm by 2 000 mm
Standard size	800 mm by 1 000 mm

Standard immunity glass pane:

Size	800 mm by 1 000 mm
Thickness	6 mm ± 1 mm
Type	Framed, standard plate glass

Annex B

(informative)

List of small tools suitable for testing immunity of casing to attack

Penknife	Magnet
Steel ruler	Paper
Wire	Pliers
Matches	Small screwdriver set
Paper clip	Stiff wire (1 mm \pm 0,05 mm as IEC 60529 IP4X)
Pen	

Annex C (normative)

Dimensions and requirements of a standard test magnet

C.1 Reference documents

The interference test magnets shall comprise a magnet identical to the corresponding magnet supplied with the detector and one of the following specified independent test magnets according to whether the detector is surface or flush mounted.

The following standards will form the base for the selection of the independent test magnet:

IEC 60404-5, *Magnetic materials – Part 5: Permanent magnet (magnetically hard) materials – Methods of measurement of magnetic properties*

IEC 60404-8-1, *Magnetic materials – Part 8-1: Specifications for individual materials – Magnetically hard materials*

IEC 60404-14, *Magnetic materials – Part 14: Methods of measurement of the magnetic dipole moment of a ferromagnetic material specimen by the withdrawal or rotation method*

C.2 Requirements

The field strength of the magnet determined by the magnetic material, by remanence (B_r) in mT and the product of energy $(BH)_{\max}$ in kJ/m³, which are material dependent as the values describe the full saturation of that material should be measured before any calibration took place.

The field strength of the test magnet needs to be adjusted at the polarization of the working point in mT as defined.

The relevant value, dimensions and measurement point for the test magnet can be found in the following drawings and tables. For calculations, measurements and calibration of the test magnets, the standards cited above shall be used.

The independent test magnet for test magnet type 1 is described in Figure C.1, while the independent test magnet for test magnet type 2 is described in Figure C.2.

To get the magnets in question adjusted to the proper values and calibrated (e.g. polarization in working point), it is strongly suggested to perform adjustments of the magnetic values for ordered magnets performed by an accredited test house for magnetic fields.

One potential source could be the following:³

MAGNET-PHYSIK

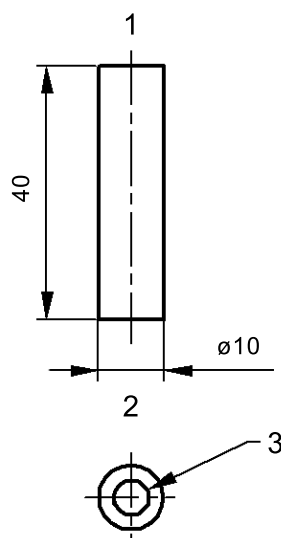
Dr. Steingroever GmbH

Emil-Hoffmann-Strasse 3

50966 Cologne, Germany

www.magnet-physik.de

³ This information is given for the convenience of users of this standard and does not constitute an endorsement by IEC. Equivalent sources may be used if they can be shown to lead to the same results.



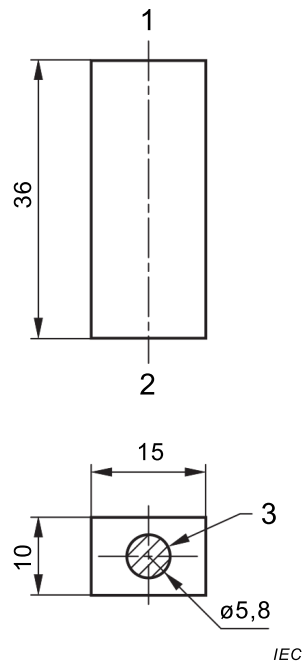
IEC

Key

- 1 North pole
- 2 South pole
- 3 North pole

Material	NdFeB N40 (REFeB 310/130 – Code number R5-1-11)
Remanence B_r min	1 275 mT \pm 2 %
Product of energy $(BH)_{max}$	310 kJ/m ³ \pm 3 %
Polarization of working point	0,835 T \pm 2 %

Figure C.1 – Test magnet – Magnet type 1



Key

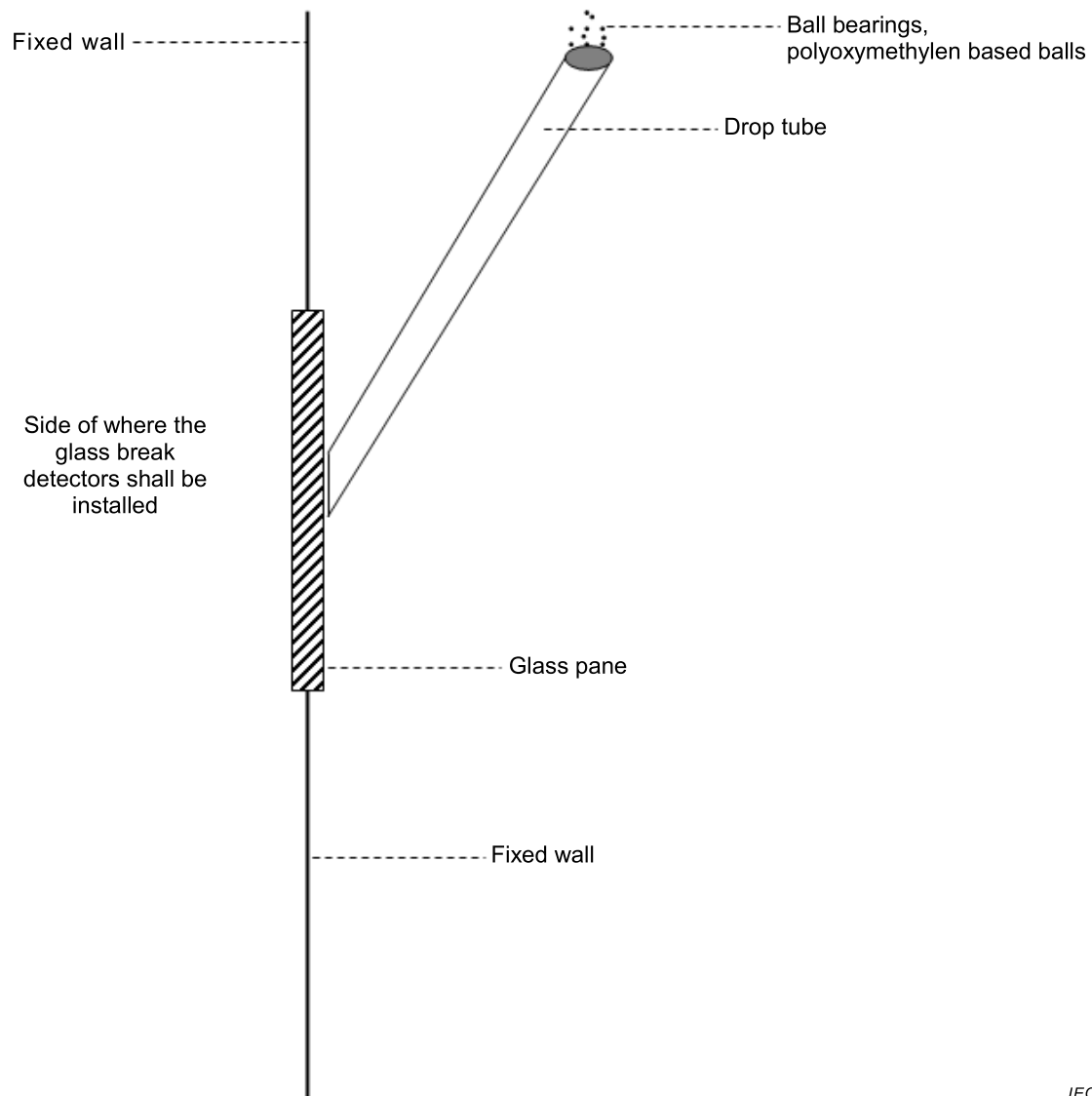
- 1 North pole
- 2 South pole
- 3 North pole (shaded)

Material	NdFeB N38 (REFeB 280/120 – Code number R5-1-7) nickeled
Remanence B_r min	1 240 mT
Product of energy $(BH)_{max}$	280 kJ/m ³
Polarization of working point	Remanence $B_r - 2 \%$

Figure C.2 – Test magnet – Magnet type 2

Annex D (normative)

Immunity test: small objects hit sensitivity



IEC

Figure D.1 – Immunity test setup for small object hit sensitivity

The inner diameter of the tube shall be 110 mm, material of the tube shall be PVC.

The angle of the tube corresponding to the surface of the glass shall be $45^\circ \pm 2^\circ$, the end of the tube towards the glass surface shall be cut as shown in Figure D.1.

The tube shall be mounted in a way, that the distance of the end of the tube towards the glass will be 50 mm at the end where the ball hits the glass surface and that the ball bearings will hit the glass surface in the centre.

Annex E
(normative)

Immunity test: soft objects hit sensitivity

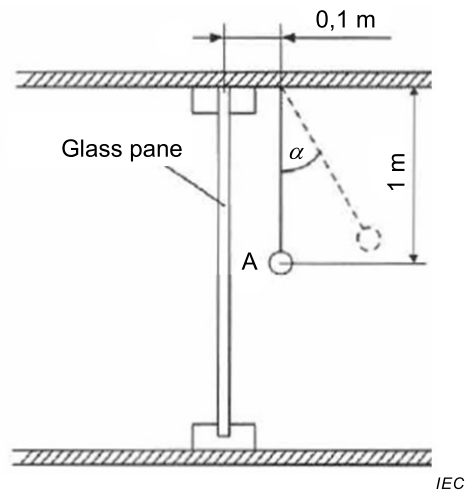


Figure E.1 – Immunity test setup for soft object hit sensitivity

Annex F
(normative)

Immunity test: hard objects hit sensitivity

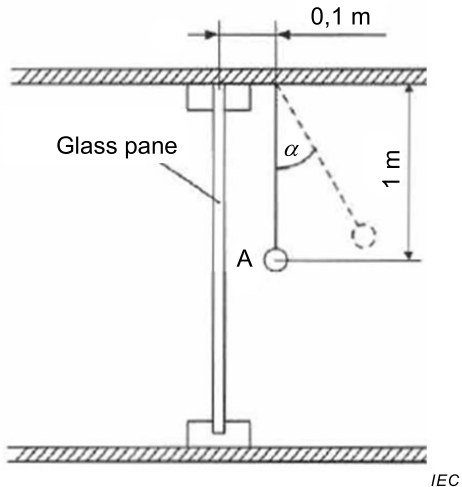


Figure F.1 – Immunity test setup for hard object hit sensitivity

Annex G
(normative)

Immunity test: static pressure sensitivity

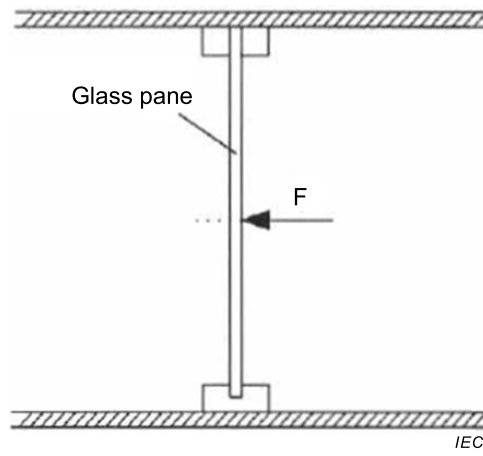


Figure G.1 – Immunity test setup for static pressure sensitivity

Annex H
(normative)

Immunity test: dynamic pressure sensitivity

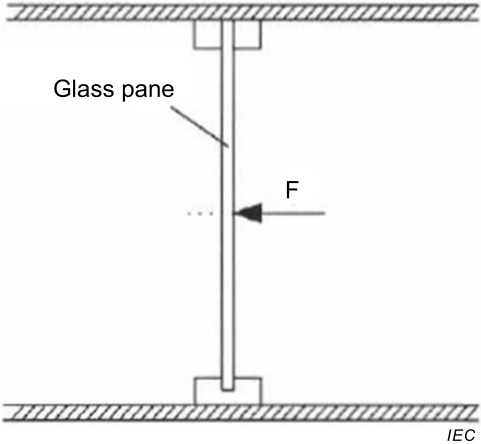


Figure H.1 – Immunity test setup for dynamic pressure sensitivity

Annex I (normative)

General testing matrix

Please find in the Table I.1 below the reference and relationship for the test samples in correspondance to the individual test section.

Table I.1 – Test and sample matrix

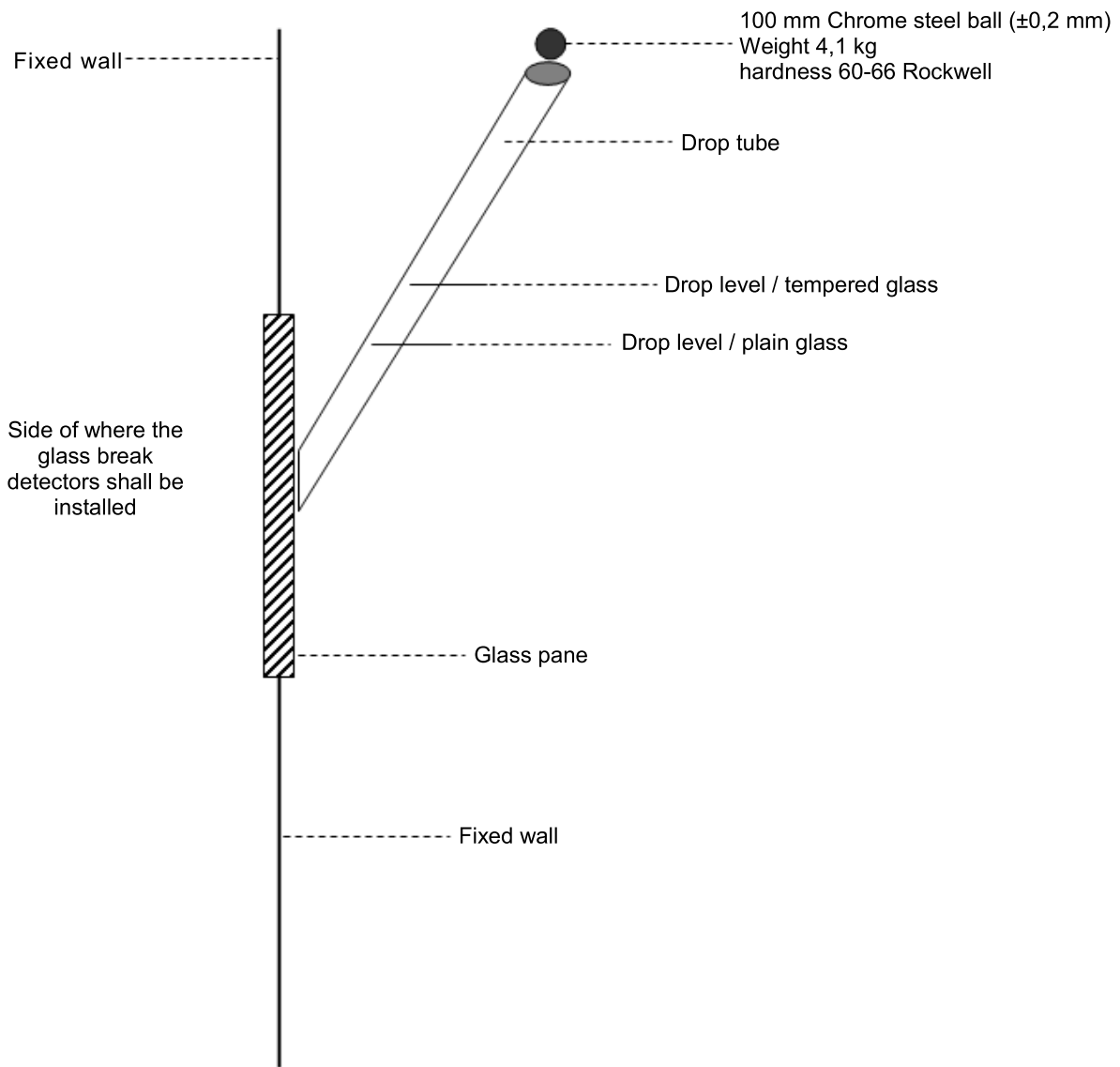
Main test title	Task to be performed in conjunction with main test			Sample No. ^a
	Before main test	During main test	After main test	
Performance tests				
Sensitivity performance test	None	6.4.2.2	None	1 to 3
Breakage performance test	None	6.4.2.3	None	4 to 11
Hole drilling with a diamond hole saw	None	6.4.3	None	12 to 14
Glass cutting	None	6.4.4	None	15 to 17
Switch-on delay, time interval between signals and indication of detection	None	6.5	None	18
Fault condition signals or messages: self tests	None	6.6	None	18
Test of immunity to false alarm sources				
Immunity to small objects hitting the glass	6.3.3	6.7.2	6.3.3	4 to 9
Immunity to soft objects hitting the glass	6.3.3	6.7.3	6.3.3	4 to 9
Immunity to hard objects hitting the glass	6.3.3	6.7.4	6.3.3	4 to 9
Immunity to static pressure	6.3.3	6.7.5	6.3.3	4 to 9
Immunity to dynamic pressure	6.3.3	6.7.6	6.3.3	4 to 9
Immunity to wide band noise based using flat steel rules	6.3.3	6.7.7	6.3.3	4 to 9
Immunity to wide band noise using IC's	6.3.3	6.7.8	6.3.3	4 to 9
Tamper security				
Prevention of unauthorised access to the inside of the detector through covers and existing holes	None	6.8.2	None	19
Detection of removal from the mounting surface	None	6.8.3	None	20
Resistance to magnetic field interference	None	6.8.4	None	1
Detection of masking	None	6.8.5	None	21b
Electrical tests				
Detector current consumption	None	6.9.2	None	22
Slow input voltage change and input voltage range limits	None	6.9.3	None	22
Input voltage ripple	None	6.9.4	None	22
Input voltage step change	None	6.9.5	None	22
Total loss of power supply	None	6.9.6	None	22

Main test title	Task to be performed in conjunction with main test			Sample No. ^a
	Before main test	During main test	After main test	
Environmental classification and conditions				
Operational tests				
Dry heat	6.3.3	6.10	6.3.3	23
Cold	6.3.3	6.10	6.3.3	23
Damp heat (steady state)	6.3.3	6.10	6.3.3	24
Damp heat (cyclic)	6.3.3	6.10	6.3.3	24
Water ingress	6.3.3	6.10	6.3.3	25
Mechanical shock	6.3.3	6.10	6.3.3	26
Vibration	6.3.3	6.10	6.3.3	27
Impact	6.3.3	6.10	6.3.3	26
EMC	6.3.3	6.10	6.3.3	28
Endurance tests				
Damp heat (steady state)	6.3.3	6.10	6.3.3	24
Damp heat (cyclic)	6.3.3	6.10	6.3.3	24
SO ₂ corrosion	6.3.3	6.10	6.3.3	29
Vibration (sinusoidal)	6.3.3	6.10	6.3.3	27
Marking and/or identification	None	6.11.1	None	1
Documentation	None	6.11.2	None	1
^a The numbers in this column given are suggested numbers and can vary depending on the performed tests, their results and the manufacturer's recommendation. ^b For masking tests more samples may be required.				

Annex J
(normative)

Performance test setup and alternative performance test setup

J.1 Performance test setup



IEC

Figure J.1 – Performance test setup

The inner diameter of the tube shall be 110 mm, material of the tube shall be PVC.

The angle of the tube corresponding to the surface of the glass shall be $45^\circ \pm 2^\circ$, the end of the tube towards the glass surface shall be cut as shown in Figure J.1.

The tube shall be mounted in a way, that the distance of the end of the tube towards the glass will be 50 mm at the end where the ball hits the glass surface and that the ball will hit the glass surface in the centre of the glass pane and breaks completely through. The surface of the ball shall be a smooth polished surface for each performed test.

Table J.1 – Performance test matrix

	Maximum thickness	Minimum dropping height
Float	8 mm	1,1 m
Sealed insulated	20 mm (4 mm/12 mm/4 mm)	1,8 m
Wired glass	8 mm	1,8 m
Tempered glass	8 mm	1,8 m
Coated glass	9 mm	12,0 m
Laminated glass	9 mm	12,0 m

J.2 Alternative performance test setup

Alternative to the described performance test setup of J.1, it is valid to use a tool which can be used to break laminated or coated glass of the below specified thickness.

In that case the tool has to provide a means for releasing a free flying object whereas the tool as well as the object have to conform to the following characteristics:

- the free flying object should be a sphere;
- the minimum mass of the sphere should be $0,9 \text{ kg} \pm 2 \%$;
- the maximum mass of the sphere should be $8 \text{ kg} \pm 2 \%$;
- the sphere should consist out of steel which is hardened within a range of 60 Rockwell to 66 Rockwell.

The performed test shall conform to the following conditions:

- the velocity of the sphere should be between $10 \text{ m}\cdot\text{s}^{-1}$ and $30 \text{ m}\cdot\text{s}^{-1}$ when hitting the glass;
- the sphere should hit the surface of the glass in the centre $\pm 50 \text{ mm}$;
- the minimum energy on the position where the sphere is hitting the glass should be 400 J;
- the angle in which the object is hitting the glass shall be between $\pm 10^\circ$ of the perpendicular axis to the glass;
- the first hit should generate a break through to the glass and should not generate extra noise due to bouncing of the hit object, etc.

Table J.2 – Alternative performance test matrix

Standard glass	Maximum Thickness
Laminated glass (e.g. 4/0,76/4 mm)	9 mm
Coated glass (intrusion related coating, e.g. 8 mm plus 0,36 mm film)	9 mm

A schematic drawing with informative character of a potential test setup can be seen in Figure J.2.

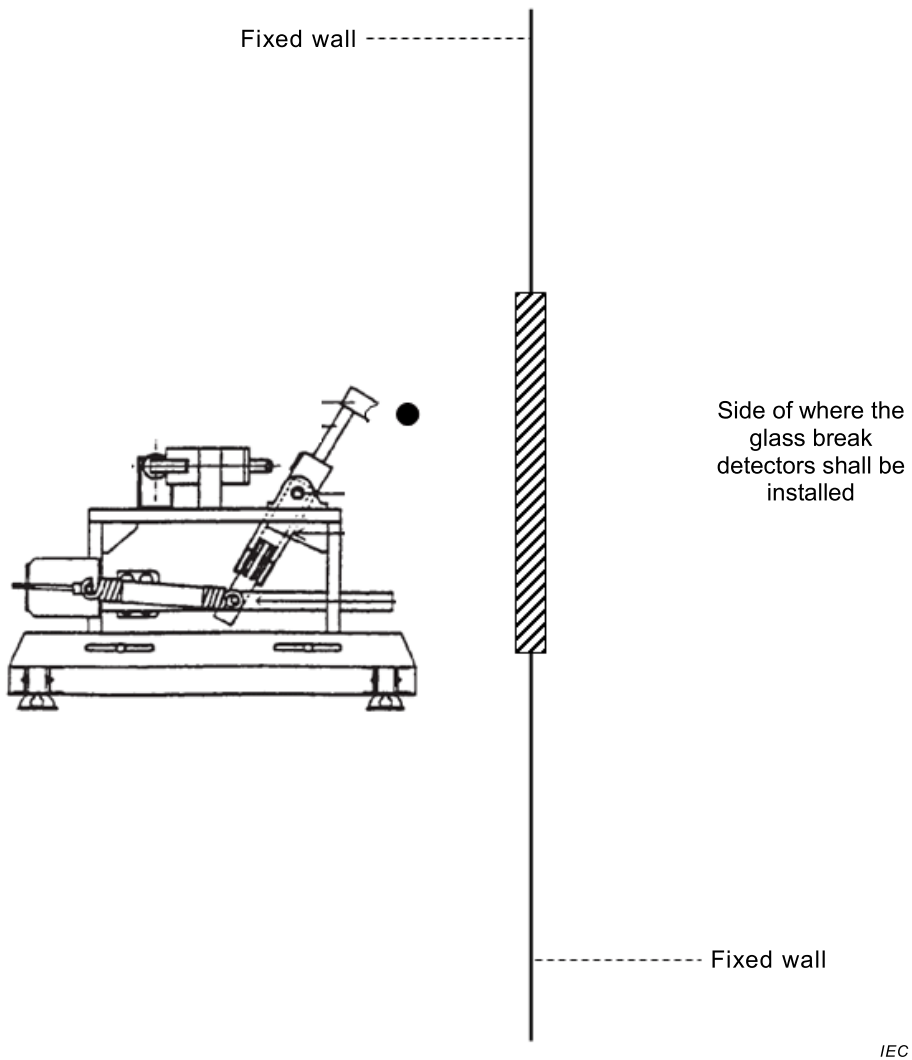


Figure J.2 – Alternative performance test setup

Annex K (normative)

Performance sensitivity test

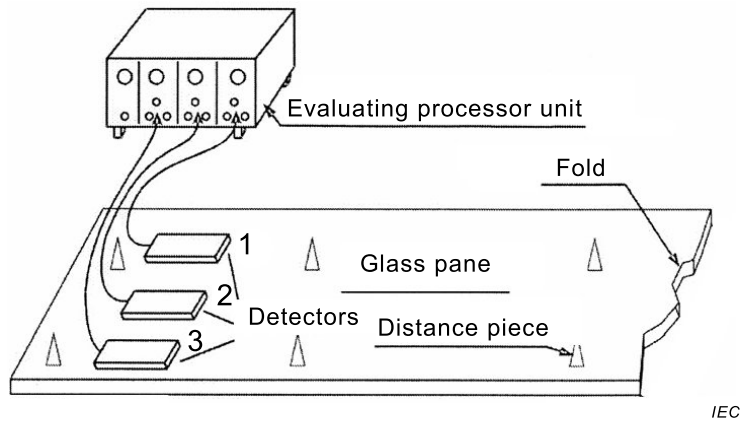


Figure K.1 – Combined sensor element surface mounted glass break detectors test setup

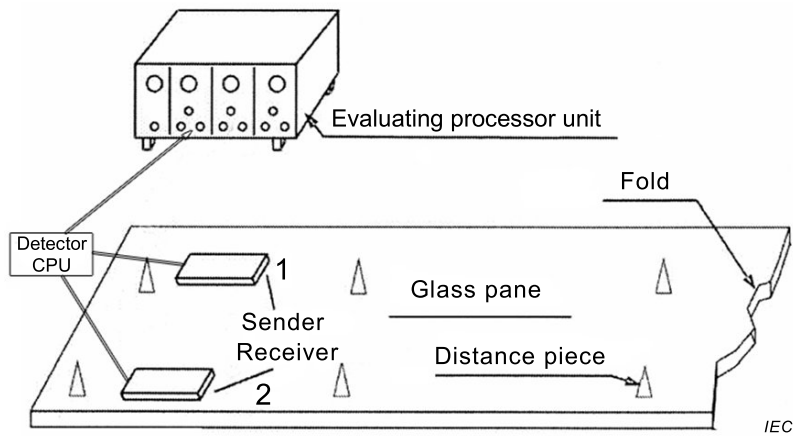


Figure K.2 – Sender and receiver pair surface mounted glass break detectors test setup

Bibliography

IEC 60068-1:2013, *Environmental testing – Part 1: General and guidance*

IEC 60404-5, *Magnetic materials – Part 5: Permanent magnet (magnetically hard) materials – Methods of measurement of magnetic properties*

IEC 60404-8-1, *Magnetic materials – Part 8-1: Specifications for individual materials – Magnetically hard materials*

IEC 60404-14, *Magnetic materials – Part 14: Methods of measurement of the magnetic dipole moment of a ferromagnetic material specimen by the withdrawal or rotation method*

IEC 60529, *Degrees of protection provided by enclosures (IP Code)*

IEC 62642-6, *Alarm systems – Intrusion and hold-up systems – Part 6: Power supplies*

ISO 527-1, *Plastics – Determination of tensile properties – Part 1: General principles*

ISO 527-2, *Plastics – Determination of tensile properties – Part 2: Test conditions for moulding and extrusion plastics*

ISO 1183-2, *Plastics – Methods for determining the density of non-cellular plastics – Part 2: Density gradient column method*

ISO 2039-2, *Plastics – Determination of hardness – Part 2: Rockwell hardness*

SOMMAIRE

AVANT-PROPOS	51
INTRODUCTION	53
1 Domaine d'application	54
2 Références normatives	54
3 Termes, définitions et abréviations	54
3.1 Termes et définitions	55
3.2 Abréviations	55
4 Exigences fonctionnelles	55
4.1 Traitement d'événements	55
4.2 Exigences opérationnelles	57
4.2.1 Intervalle de temps entre les signaux ou messages d'intrusion	57
4.2.2 Délai de mise sous tension	57
4.2.3 Autodiagnosics	58
4.3 Détection	58
4.3.1 Performances de détection	58
4.3.2 Indication de détection	59
4.4 Immunité aux fausses alarmes	59
4.4.1 Généralités	59
4.4.2 Immunité aux petits objets heurtant la vitre	59
4.4.3 Immunité aux objets mous heurtant la vitre	59
4.4.4 Immunité aux objets durs heurtant la vitre	59
4.4.5 Immunité à la pression statique	59
4.4.6 Immunité à la pression dynamique	59
4.4.7 Immunité au bruit de large bande	59
4.5 Protection contre la fraude	60
4.5.1 Généralités	60
4.5.2 Résistance à et détection de l'accès non autorisé à la partie interne du détecteur via les carters et trous existants	60
4.5.3 Détection d'arrachement du détecteur de sa surface de montage	60
4.5.4 Détection du masquage	60
4.5.5 Immunité aux interférences dues au champ magnétique	61
4.6 Exigences électriques	61
4.6.1 Généralités	61
4.6.2 Consommation de courant du détecteur	61
4.6.3 Variation lente de la tension d'entrée et limites de plage de tensions	61
4.6.4 Ondulation de la tension d'entrée	61
4.6.5 Variation en échelon de la tension d'entrée	61
4.7 Classification et conditions d'environnement	61
4.7.1 Classification d'environnement	61
4.7.2 Immunité aux conditions d'environnement	62
5 Marquage, identification et documentation	62
5.1 Marquage et/ou identification	62
5.2 Documentation	62
6 Essais	62
6.1 Généralités	62
6.2 Conditions générales d'essai	63

6.2.1	Conditions normalisées de laboratoire pour les essais.....	63
6.2.2	Environnement et procédures des essais de détection généraux	63
6.3	Essai de détection de base	63
6.3.1	Généralités	63
6.3.2	Source des essais de base	63
6.3.3	Méthode pour l'essai de détection de base	64
6.4	Essais des performances	64
6.4.1	Généralités	64
6.4.2	Vérification des performances de détection	64
6.4.3	Perçage d'un trou avec une pointe de diamant	65
6.4.4	Découpe du verre	66
6.5	Délai de mise sous tension, intervalle de temps entre les signaux et indication de détection	66
6.6	Signaux ou messages de condition de défaut: autodiagnostic	66
6.7	Essais d'immunité aux fausses alarmes	67
6.7.1	Généralités	67
6.7.2	Immunité aux petits objets heurtant la vitre.....	68
6.7.3	Immunité aux objets mous heurtant la vitre.....	68
6.7.4	Immunité aux objets durs heurtant la vitre	68
6.7.5	Immunité à la pression statique	69
6.7.6	Immunité à la pression dynamique.....	69
6.7.7	Immunité au bruit de large bande produit par des règles plates en acier	70
6.7.8	Immunité au bruit de large bande produit par des circuits intégrés.....	71
6.8	Protection contre la fraude	71
6.8.1	Généralités	71
6.8.2	Prévention de l'accès non autorisé à la partie interne du détecteur via les carters et trous existants	71
6.8.3	Détection d'arrachement du détecteur de sa surface de montage	71
6.8.4	Résistance aux interférences dues au champ magnétique	71
6.8.5	Détection du masquage	72
6.9	Essais électriques.....	72
6.9.1	Généralités	72
6.9.2	Consommation de courant du détecteur.....	72
6.9.3	Variation lente de la tension d'entrée et limites de plage de tensions d'entrée	72
6.9.4	Ondulation de la tension d'entrée	73
6.9.5	Variation en échelon de la tension d'entrée	73
6.9.6	Perte totale d'alimentation	74
6.10	Classification et conditions d'environnement	74
6.11	Marquage, identification et documentation	75
6.11.1	Marquage et/ou identification.....	75
6.11.2	Documentation	75
Annexe A (normative) Catalogue des types de vitres normalisées.....		76
Annexe B (informative) Liste des petits outils adaptés pour les essais d'immunité du boîtier aux attaques		77
Annexe C (normative) Dimensions et exigences d'un aimant d'essai normalisé.....		78
C.1	Documents de référence	78
C.2	Exigences	78
Annexe D (normative) Essai d'immunité: sensibilité aux chocs par de petits objets		81

Annexe E (normative) Essai d'immunité: sensibilité aux chocs par des objets mous.....	82
Annexe F (normative) Essai d'immunité: sensibilité aux chocs par des objets durs	83
Annexe G (normative) Essai d'immunité: sensibilité à la pression statique	84
Annexe H (normative) Essai d'immunité: sensibilité à la pression dynamique.....	85
Annexe I (normative) Matrice générale des essais	86
Annexe J (normative) Configuration d'essai des performances et variante de configuration d'essai des performances	88
J.1 Configuration d'essai des performances.....	88
J.2 Variante de configuration d'essai des performances.....	89
Annexe K (normative) Essai de sensibilité des performances.....	91
Bibliographie.....	92
Figure C.1 – Aimant d'essai – Aimant de type 1	79
Figure C.2 – Aimant d'essai – Aimant de type 2	80
Figure D.1 – Configuration d'essai d'immunité pour sensibilité aux chocs par de petits objets.....	81
Figure E.1 – Configuration d'essai d'immunité pour sensibilité aux chocs par des objets mous	82
Figure F.1 – Configuration d'essai d'immunité pour sensibilité aux chocs par des objets durs.....	83
Figure G.1 – Configuration d'essai d'immunité pour sensibilité à la pression statique.....	84
Figure H.1 – Configuration d'essai d'immunité pour sensibilité à la pression dynamique	85
Figure J.1 – Configuration d'essai des performances	88
Figure J.2 – Variante de configuration d'essai des performances	90
Figure K.1 – Configuration d'essai des détecteurs de bris de vitre montés en surface et des éléments de capteur combinés	91
Figure K.2 – Configuration d'essai des détecteurs de bris de vitre montés en surface et d'une paire émetteur-récepteur	91
Tableau 1 – Événements à traiter par grade	56
Tableau 2 – Génération des signaux ou messages d'indication.....	57
Tableau 3 – Exigences pour les essais de performance	58
Tableau 4 – Exigences de protection contre la fraude	60
Tableau 5 – Exigences électriques.....	61
Tableau 6 – Simulation de bruit de large bande produit par des règles en acier plat	70
Tableau 7 – Essais opérationnels	74
Tableau 8 – Essais d'endurance	75
Tableau A.1 – Types de vitres normalisées.....	76
Tableau I.1 – Matrice d'essai et d'échantillon.....	86
Tableau J.1 – Matrice d'essai des performances.....	89
Tableau J.2 – Variante de matrice d'essai des performances	89

COMMISSION ÉLECTROTECHNIQUE INTERNATIONALE

**SYSTÈMES D'ALARME – SYSTÈMES D'ALARME
CONTRE L'INTRUSION ET LES HOLD-UP –****Partie 2-73: Détecteurs d'intrusion –
Détecteurs de bris de glace (actifs)****AVANT-PROPOS**

- 1) La Commission Electrotechnique Internationale (IEC) est une organisation mondiale de normalisation composée de l'ensemble des comités électrotechniques nationaux (Comités nationaux de l'IEC). L'IEC a pour objet de favoriser la coopération internationale pour toutes les questions de normalisation dans les domaines de l'électricité et de l'électronique. A cet effet, l'IEC – entre autres activités – publie des Normes internationales, des Spécifications techniques, des Rapports techniques, des Spécifications accessibles au public (PAS) et des Guides (ci-après dénommés "Publication(s) de l'IEC"). Leur élaboration est confiée à des comités d'études, aux travaux desquels tout Comité national intéressé par le sujet traité peut participer. Les organisations internationales, gouvernementales et non gouvernementales, en liaison avec l'IEC, participent également aux travaux. L'IEC collabore étroitement avec l'Organisation Internationale de Normalisation (ISO), selon des conditions fixées par accord entre les deux organisations.
- 2) Les décisions ou accords officiels de l'IEC concernant les questions techniques représentent, dans la mesure du possible, un accord international sur les sujets étudiés, étant donné que les Comités nationaux de l'IEC intéressés sont représentés dans chaque comité d'études.
- 3) Les Publications de l'IEC se présentent sous la forme de recommandations internationales et sont agréées comme telles par les Comités nationaux de l'IEC. Tous les efforts raisonnables sont entrepris afin que l'IEC s'assure de l'exactitude du contenu technique de ses publications; l'IEC ne peut pas être tenue responsable de l'éventuelle mauvaise utilisation ou interprétation qui en est faite par un quelconque utilisateur final.
- 4) Dans le but d'encourager l'uniformité internationale, les Comités nationaux de l'IEC s'engagent, dans toute la mesure possible, à appliquer de façon transparente les Publications de l'IEC dans leurs publications nationales et régionales. Toutes divergences entre toutes Publications de l'IEC et toutes publications nationales ou régionales correspondantes doivent être indiquées en termes clairs dans ces dernières.
- 5) L'IEC elle-même ne fournit aucune attestation de conformité. Des organismes de certification indépendants fournissent des services d'évaluation de conformité et, dans certains secteurs, accèdent aux marques de conformité de l'IEC. L'IEC n'est responsable d'aucun des services effectués par les organismes de certification indépendants.
- 6) Tous les utilisateurs doivent s'assurer qu'ils sont en possession de la dernière édition de cette publication.
- 7) Aucune responsabilité ne doit être imputée à l'IEC, à ses administrateurs, employés, auxiliaires ou mandataires, y compris ses experts particuliers et les membres de ses comités d'études et des Comités nationaux de l'IEC, pour tout préjudice causé en cas de dommages corporels et matériels, ou de tout autre dommage de quelque nature que ce soit, directe ou indirecte, ou pour supporter les coûts (y compris les frais de justice) et les dépenses découlant de la publication ou de l'utilisation de cette Publication de l'IEC ou de toute autre Publication de l'IEC, ou au crédit qui lui est accordé.
- 8) L'attention est attirée sur les références normatives citées dans cette publication. L'utilisation de publications référencées est obligatoire pour une application correcte de la présente publication.
- 9) L'attention est attirée sur le fait que certains des éléments de la présente Publication de l'IEC peuvent faire l'objet de droits de brevet. L'IEC ne saurait être tenue pour responsable de ne pas avoir identifié de tels droits de brevets et de ne pas avoir signalé leur existence.

La Norme internationale IEC 62642-2-73 a été établie par le comité d'études 79 de l'IEC: Systèmes d'alarme et de sécurité électroniques.

La présente Norme est basée sur l'EN 50131-2-7-3 (2012) et son IS1 (2014).

Le texte de cette norme est issu des documents suivants:

FDIS	Rapport de vote
79/513/FDIS	79/529/RVD

Le rapport de vote indiqué dans le tableau ci-dessus donne toute information sur le vote ayant abouti à l'approbation de cette norme.

Cette publication a été rédigée selon les Directives ISO/IEC, Partie 2.

Une liste de toutes les parties de la série IEC 62642, publiées sous le titre général *Systèmes d'alarme – Systèmes d'alarme contre l'intrusion et les hold-up*, peut être consultée sur le site web de l'IEC.

Le comité a décidé que le contenu de cette publication ne sera pas modifié avant la date de stabilité indiquée sur le site web de l'IEC sous "<http://webstore.iec.ch>" dans les données relatives à la publication recherchée. A cette date, la publication sera

- reconduite,
- supprimée,
- remplacée par une édition révisée, ou
- amendée.

INTRODUCTION

La présente partie 2-73 de l'IEC 62642 concerne les systèmes d'alarme contre l'intrusion et les hold-up (I&HAS) installés dans les bâtiments. Elle comprend les dispositifs montés à l'intérieur ou à l'extérieur de locaux surveillés et montés en environnement intérieur ou extérieur. Les autres parties de cette série de normes sont les suivantes:

- Partie 1 Exigences système
- Partie 2-2 Détecteurs d'intrusion – Détecteurs à infrarouges passifs
- Partie 2-3 Détecteurs d'intrusion – Détecteurs à hyperfréquences
- Partie 2-4 Détecteurs d'intrusion – Détecteurs combinés à infrarouges passifs et à hyperfréquences
- Partie 2-5 Détecteurs d'intrusion – Détecteurs combinés à infrarouges passifs et à ultrasons
- Partie 2-6 Détecteurs d'intrusion – Détecteurs d'ouverture à contacts (magnétiques)
- Partie 2-71 Détecteurs d'intrusion – Détecteurs de bris de glace (acoustiques)
- Partie 2-72 Détecteurs d'intrusion – Détecteurs de bris de glace (passifs)
- Partie 2-73 Détecteurs d'intrusion – Détecteurs de bris de glace (actifs)
- Partie 3 Équipement de contrôle et de signalisation
- Partie 4 Dispositifs d'avertissement
- Partie 5-3 Interconnexions – Exigences pour les équipements utilisant des techniques radio fréquence
- Partie 6 Alimentation
- Part 7 Application guidelines (disponible en anglais seulement)
- Partie 8 Systèmes/dispositifs générateurs de fumée

SYSTÈMES D'ALARME – SYSTÈMES D'ALARME CONTRE L'INTRUSION ET LES HOLD-UP –

Partie 2-73: Détecteurs d'intrusion – Détecteurs de bris de glace (actifs)

1 Domaine d'application

La présente partie de l'IEC 62642 concerne les détecteurs de bris de vitre actifs montés en surface installés dans les bâtiments, décrit les détecteurs câblés ou sans fil spécifiques ou non des grades de protection 1 à 4 (voir l'IEC 62642-1) et utilise les classes d'environnement I à IV (voir l'IEC 62599-1). La présente Norme internationale ne traite pas des exigences des détecteurs de bris de vitre actifs montés en surface prévus pour une utilisation à l'extérieur.

Un détecteur satisfait à toutes les exigences du grade spécifié.

Des fonctions supplémentaires aux fonctions obligatoires spécifiées dans la présente Norme peuvent être incluses dans le détecteur, à condition qu'elles ne nuisent pas au bon fonctionnement des fonctions obligatoires.

La présente Norme internationale ne s'applique pas aux interconnexions de systèmes.

2 Références normatives

Les documents suivants sont cités en référence de manière normative, en intégralité ou en partie, dans le présent document et sont indispensables pour son application. Pour les références datées, seule l'édition citée s'applique. Pour les références non datées, la dernière édition du document de référence s'applique (y compris les éventuels amendements).

IEC 60068-2-52:1984, *Essais fondamentaux climatiques et de robustesse mécanique – Partie 2: Essais – Essai Kb: Brouillard salin, essai cyclique (solution de chlorure de sodium)*¹

IEC 62599-1, *Systèmes d'alarme – Partie 1: Méthodes d'essais d'environnement*

IEC 62599-2, *Systèmes d'alarme – Partie 2: Compatibilité électromagnétique – Exigences relatives à l'immunité des composants des systèmes d'alarme de détection d'incendie et de sécurité*

IEC 62642-1, *Systèmes d'alarme – Systèmes d'alarme contre l'intrusion et les hold-up – Partie 1: Exigences système*

3 Termes, définitions et abréviations

Pour les besoins du présent document, les termes, définitions et abréviations donnés dans l'IEC 62642-1, ainsi que les suivants, s'appliquent.

¹ Première édition. Cette édition a été remplacée en 1996 par l'IEC 60068-2-52:1996, *Essais d'environnement – Partie 2: Essais – Essai Kb: Brouillard salin, essai cyclique (solution de chlorure de sodium)*.

3.1 Termes et définitions

3.1.1

bris de vitre (en verre)

destruction physique d'une vitre en verre, qui permet l'intrusion dans la zone surveillée, par exemple sur des portes, fenêtres ou enveloppes

3.1.2

détecteur de bris de vitre actif monté en surface

détecteur qui détecte les changements de l'intégrité d'une surface vitrée sur laquelle il est monté, en émettant, recevant et traitant des signaux

3.1.3

source des essais de base

simulateur de signaux conçu pour vérifier la fonction de base du détecteur

3.1.4

fonctionnement incorrect

état physique causant l'émission d'un signal ou message inapproprié par le détecteur

3.1.5

essai de détection de base

essai dont le but est de vérifier le fonctionnement d'un détecteur après son installation

3.1.6

masquage

interférence avec la fonction d'entrée du détecteur telle que l'installation d'une barrière physique (par exemple en métal, plastique, papier, peinture pulvérisée ou laque, au voisinage immédiat du détecteur) ou modification des caractéristiques de la zone surveillée (par exemple, la pose de journaux mouillés à l'extérieur de la vitre surveillée)

3.1.7

vitre d'immunité normalisée

vitre à utiliser pour tous les essais d'immunité pour lesquels une vitre est nécessaire, conformément à l'Annexe A

3.1.8

installation simultanée

installation de plusieurs détecteurs ou d'une paire de capteurs dont le type de détecteur est unique (par exemple émetteur et récepteur) pour une ou plusieurs unités de traitement de détecteur

3.2 Abréviations

SEB Source des essais de base

CEM Compatibilité électromagnétique

4 Exigences fonctionnelles

4.1 Traitement d'événements

Les détecteurs doivent traiter les événements présentés dans le Tableau 1. Les détecteurs doivent générer les signaux ou messages présentés dans le Tableau 2.

Tableau 1 – Événements à traiter par grade

Événement	Grade			
	1	2	3	4
Intrusion	M	M	M	M
Pas de stimulus ^a	M	M	M	M
Masquage	Op	Op	M	M
Fraude	Op	M	M	M
Tension d'alimentation basse – dispositifs sans fil	M	M	M	M
Tension d'alimentation basse – dispositifs câblés	Op	Op	Op	M
Perte totale d'alimentation ^b	Op	M	M	M
Autodiagnostic local ^c	Op	Op	M	M
Autodiagnostic distant	Op	Op	Op	M
Légende				
M = Mandatory (Obligatoire)				
Op = Optional (Facultatif)				
^a 'Pas de stimulus' est considéré comme la condition complète, alors que l'absence de stimulus de génération d'alarme d'un détecteur à ce moment-là s'applique aux fonctions d'entrée du détecteur.				
^b Obligatoire pour les dispositifs sans fil pour tous les grades. Exigé uniquement si l'alimentation est destinée au fonctionnement local normal, par exemple les solutions basées uniquement sur la mise sous/hors tension ne relèvent pas de cette exigence; cependant, si le traitement de signal (sauf s'il s'agit de l'équipement de contrôle et de signalisation – CIE, control and indicating equipment – lui-même) est exigé pour traiter la sortie du capteur, un tel événement doit être généré autrement; la non-génération d'un message ou signal est exigée lorsque la condition est détectée par l'équipement de contrôle et de signalisation (CIE – control and indicating equipment) en raison de la conception du système.				
^c Obligatoire pour tous les dispositifs de grade 4. Pour les dispositifs de grade 3, exigé uniquement pour les solutions basées sur MCU fondées sur l'analyse d'entrée et le traitement de signal du capteur logiciel / micrologiciel.				

Tableau 2 – Génération des signaux ou messages d'indication

Événement	Signaux ou messages		
	Intrusion	Fraude	Défaut
Intrusion	M	NP	NP
Pas de stimulus	NP	NP	NP
Masquage ^a	M	Op	M
Fraude	NP	M	NP
Tension d'alimentation basse	Op	Op	M
Perte totale d'alimentation ^b	M	Op	Op
Autodiagnostic local réussi	NP	NP	NP
Échec de l'autodiagnostic local	NP	NP	M
Autodiagnostic distant réussi	M	NP	NP
Échec de l'autodiagnostic distant	NP	NP	M
M = Mandatory (Obligatoire) NP = Not permitted (Non autorisé) Op = Optional (Facultatif)			
^a Peut être remplacé par un signal ou message de masquage indépendant. ^b En variante, la Perte totale d'alimentation doit être déterminée par la perte de communication avec le détecteur. Deux méthodes de signalisation d'un événement de masquage sont possibles: soit par le signal d'intrusion et le signal de défaut, soit par une sortie dédiée. Il est préférable d'utiliser un signal d'intrusion et un signal de défaut car cette méthode exige moins de connexions entre l'équipement de contrôle et de signalisation (CIE – control and indicating equipment) et le détecteur. En cas de chevauchements d'événements multiples, certaines combinaisons de signaux peuvent être ambiguës. Pour pallier cette ambiguïté et à titre de recommandation, il convient que les détecteurs ne signalent pas en même temps l'"intrusion" et le "défaut", sauf pour indiquer le masquage. Cela implique qu'il convient que le détecteur hiérarchise les signaux, par exemple 1 Intrusion, 2 Défaut, 3 Masquage. Lorsque dans le Tableau 1, un événement peut générer facultativement des signaux ou des messages, ces derniers doivent être comme indiqués dans ce tableau.			

4.2 Exigences opérationnelles

4.2.1 Intervalle de temps entre les signaux ou messages d'intrusion

Les détecteurs câblés doivent pouvoir fournir un signal ou un message d'intrusion en une durée ne dépassant pas 15 s après la fin du signal ou message d'intrusion précédent.

Les détecteurs sans fil doivent pouvoir fournir un signal ou message d'intrusion après la fin du signal ou message d'intrusion précédent dans les temps suivants:

Grade 1	300 s
Grade 2	180 s
Grade 3	30 s
Grade 4	15 s

4.2.2 Délai de mise sous tension

Le détecteur doit satisfaire à toutes les exigences fonctionnelles dans les 180 s après que l'alimentation a atteint la tension nominale spécifiée par le fabricant.

4.2.3 Autodiagnostics

4.2.3.1 Autodiagnostic local

Le détecteur doit effectuer automatiquement un autodiagnostic au moins une fois par 24 h conformément aux exigences des Tableaux 1 et 2. Si le fonctionnement normal du détecteur est bloqué pendant un autodiagnostic local, la durée d'inhibition du détecteur doit être limitée à un maximum de 30 s pendant une période de 2 h.

4.2.3.2 Autodiagnostic distant

Un détecteur doit effectuer des autodiagnostics distants et générer des signaux ou messages conformes aux Tableaux 1 et 2 dans les 10 s après réception du signal d'autodiagnostic distant et doit revenir en fonctionnement normal en 30 s après réception du signal d'essai distant.

4.3 Détection

4.3.1 Performances de détection

4.3.1.1 Généralités

Le détecteur doit générer un signal ou un message d'intrusion lorsque survient un bris de vitre simulé ou réel conforme aux exigences correspondantes du Tableau 3.

Tableau 3 – Exigences pour les essais de performance

Exigences	Grade 1	Grade 2	Grade 3	Grade 4
Vérification des performances de détection	M	M	M	M
Essai des performances: perçage d'un trou avec une pointe de diamant	Op	Op	Op	M
Essai des performances: découpe du verre	Op	Op	Op	M
M = Mandatory (Obligatoire) Op = Optional (Facultatif)				

4.3.1.2 Vérification des performances de détection

Cet essai vérifie les performances de détection quant à la sensibilité et un bris de vitre en fonction des conditions que le fabricant a déclaré prendre en charge. Il vérifie la plage de couverture maximale (essai des performances de sensibilité) et la détection d'intrusion (essai des performances de bris) selon l'Annexe A pour les différents types et dimensions de vitres que le fabricant a déclaré prendre en charge (types et dimensions). Il est nécessaire de valider cet essai pour un certain nombre de types et dimensions de vitres normalisées conformément à la section d'essai correspondante.

4.3.1.3 Essai des performances pour le perçage d'un trou avec une pointe de diamant

Cet essai vérifie les performances de détection en perçant un trou avec une pointe de diamant sur des vitres de différents types et dimensions conformément aux conditions que le fabricant a déclaré prendre en charge et à l'Annexe A. Il vérifie si le détecteur peut identifier et signaler une altération de l'intégrité du côté surveillé de la vitre.

4.3.1.4 Essai des performances en cas de découpe de vitre

Cet essai vérifie les performances de détection en découpant la vitre à l'aide d'un coupe-verre normalisé sur des vitres de différents types et dimensions conformément aux conditions que

le fabricant a déclaré prendre en charge et à l'Annexe A. Il vérifie si le détecteur peut identifier et signaler une altération de l'intégrité du côté surveillé de la vitre.

4.3.2 Indication de détection

Les détecteurs sous tension aux grades 3 et 4 qui incluent des fonctions de traitement doivent être munis d'un indicateur signalant quand un signal ou message d'intrusion a été généré.

Pour les grades 3 et 4, cet indicateur doit pouvoir être activé et désactivé à distance au niveau d'accès 2.

4.4 Immunité aux fausses alarmes

4.4.1 Généralités

Le détecteur doit avoir une immunité suffisante aux fausses alarmes si les exigences suivantes ont été satisfaites. Selon chaque article relatif aux essais, les fausses alarmes ne doivent générer aucun signal ou message d'intrusion.

Les essais du présent article sont effectués sur la vitre d'essai d'immunité normalisée comme défini en 3.1.7, essai pour lequel une vitre est exigée.

4.4.2 Immunité aux petits objets heurtant la vitre

Le détecteur ne doit pas générer de signal ou de message d'intrusion lorsque de petits objets tels que de la grêle, du sable ou des graviers, etc. heurtent la surface extérieure de la vitre surveillée. Les essais sont décrits en 6.7.2.

4.4.3 Immunité aux objets mous heurtant la vitre

Le détecteur ne doit pas générer de signal ou de message d'intrusion lorsque des objets mous (par exemple, un poing) heurtent la surface extérieure de la vitre surveillée. Les essais sont décrits en 6.7.3.

4.4.4 Immunité aux objets durs heurtant la vitre

Le détecteur ne doit pas générer de signal ou de message d'intrusion lorsque des objets durs (par exemple, le guidon d'une bicyclette) heurtent la surface extérieure de la vitre surveillée. Les essais sont décrits en 6.7.4.

4.4.5 Immunité à la pression statique

Le détecteur ne doit pas générer de signal ou de message d'intrusion lorsque des modifications de pression constante sont appliquées à la vitre surveillée. Les essais sont décrits en 6.7.5.

4.4.6 Immunité à la pression dynamique

Le détecteur ne doit pas générer de signal ou de message d'intrusion lorsque des modifications de pression dynamique (dues au vent, etc.) sont appliquées à la vitre surveillée. Les essais sont décrits en 6.7.6.

4.4.7 Immunité au bruit de large bande

Le détecteur ne doit pas générer de signal ou de message d'intrusion lorsque lui sont appliquées simultanément des fréquences de large bande proches de la fréquence d'un bris de vitre (par exemple, les branches d'un arbre frottant la fenêtre). Les essais sont décrits en 6.7.7 et 6.7.8.

4.5 Protection contre la fraude

4.5.1 Généralités

Les exigences de protection contre la fraude pour chaque grade de détecteur sont présentées dans le Tableau 4.

Tableau 4 – Exigences de protection contre la fraude

Exigences	Grade 1	Grade 2	Grade 3	Grade 4
Résistance à l'accès à la partie interne du détecteur	M	M	M	M
Détection de l'accès à la partie interne du détecteur ^a	Op	M	M	M
Arrachement du détecteur de sa surface de montage ^b	Op	M ^c	M	M
Détection du masquage	Op	Op	M	M
Immunité au champ magnétique	Op	M	M	M
Type d'aimant défini dans l'Annexe C		Type 1	Type 2	Type 2
M = Mandatory (Obligatoire) Op = Optional (Facultatif) ^a Non exigé pour les détecteurs câblés qui sont entièrement enrobés et dans lesquels il n'est pas possible d'accéder aux réglages ou composants. ^b Non exigé aux grades 2 et 3 si le détecteur / élément de capteur est monté de façon appropriée selon les instructions du fabricant avec une colle (adhésive et activatrice) époxy / à deux composants, qui prend en charge les conditions d'environnement demandées lors du montage et de la fixation. ^c Exigé au grade 2 pour les détecteurs sans fil uniquement s'ils n'utilisent pas de colle (adhésive et activatrice) époxy / à deux composants pour la fixation.				

4.5.2 Résistance à et détection de l'accès non autorisé à la partie interne du détecteur via les carters et trous existants

Tous les composants et dispositifs de réglage, qui, après immixtion, peuvent nuire au bon fonctionnement du détecteur, doivent être situés dans le boîtier du détecteur. Ce type d'accès doit exiger l'utilisation d'un outil approprié et selon le grade spécifié dans le Tableau 4 doit générer un signal ou message d'autosurveillance avant qu'il soit possible d'y accéder.

Il ne doit pas être possible d'accéder à la partie interne du détecteur sans générer un signal ou message d'autosurveillance ou causer des dommages visibles.

4.5.3 Détection d'arrachement du détecteur de sa surface de montage

Un signal ou message d'autosurveillance doit être généré si le détecteur est retiré de sa surface de montage, selon le Tableau 4.

4.5.4 Détection du masquage

Des dispositifs doivent être fournis pour détecter le blocage du fonctionnement du détecteur par masquage conformément aux exigences du Tableau 4. En variante, le détecteur doit continuer à fonctionner normalement.

Le temps de réponse maximal pour le dispositif de détection du masquage doit être 180 s. Le masquage doit être signalé conformément aux exigences du Tableau 2. Les signaux ou messages doivent rester affichés tant que la condition de masquage est présente. Un signal ou message de masquage ne doit pas être réinitialisé pendant que la condition de masquage est encore présente. En variante, le signal ou message de masquage doit être à nouveau généré dans les 180 s après réinitialisation, si la condition de masquage persiste.

NOTE Du point de vue de la conception du système, il est préférable que les détecteurs masqués soient automatiquement réinitialisés une fois la condition de masquage supprimée.

La détection du masquage doit fonctionner, que l'I&HAS soit ou non activé.

4.5.5 Immunité aux interférences dues au champ magnétique

Il ne doit pas être possible de bloquer les signaux ou messages avec un aimant de dépendance de grade conforme au Tableau 4. Les types d'aimants doivent être comme décrits dans l'Annexe C.

4.6 Exigences électriques

4.6.1 Généralités

Ces exigences ne s'appliquent pas aux détecteurs dont l'alimentation est de type C. Pour ces derniers, voir l'IEC 62642-6. Pour les détecteurs munis d'une alimentation externe, les exigences sont présentées dans le Tableau 5.

Tableau 5 – Exigences électriques

Essai	Grade 1	Grade 2	Grade 3	Grade 4
Consommation de courant du détecteur	Exigé	Exigé	Exigé	Exigé
Plage de tensions d'entrée	Exigé	Exigé	Exigé	Exigé
Variation lente de la tension d'entrée	Non exigé	Exigé	Exigé	Exigé
Ondulation de la tension d'entrée	Non exigé	Exigé	Exigé	Exigé
Variation en échelon de la tension d'entrée	Non exigé	Exigé	Exigé	Exigé

4.6.2 Consommation de courant du détecteur

Les consommations de courant maximale et de repos du détecteur ne doivent pas dépasser les valeurs déclarées par le fabricant pour la tension d'entrée nominale.

4.6.3 Variation lente de la tension d'entrée et limites de plage de tensions

Le détecteur doit satisfaire à toutes les exigences fonctionnelles lorsque la tension d'entrée demeure en deçà de $\pm 25\%$ de la valeur nominale ou reste comprise dans les limites de la plage du fabricant si elle est supérieure. Lorsque la tension d'alimentation s'accroît lentement, le détecteur doit fonctionner normalement aux limites de plage spécifiées.

4.6.4 Ondulation de la tension d'entrée

Le détecteur doit satisfaire à toutes les exigences fonctionnelles pendant la variation sinusoïdale de la tension d'entrée à $\pm 10\%$ de la valeur nominale, à une fréquence de 100 Hz.

4.6.5 Variation en échelon de la tension d'entrée

Aucun signal ou message ne doit être généré par une variation en échelon de la tension d'entrée, comprise entre ses valeurs maximales et minimales et ses valeurs nominales.

4.7 Classification et conditions d'environnement

4.7.1 Classification d'environnement

La classification d'environnement est décrite dans l'IEC 62642-1 et doit être spécifiée par le fabricant.

4.7.2 Immunité aux conditions d'environnement

Tous les détecteurs doivent satisfaire aux exigences de la classe d'environnement et de la classe d'équipement concernées telles qu'elles sont spécifiées par le fabricant dans les essais d'environnement décrits aux Tableaux 6 et 7. Ces essais doivent être effectués conformément à l'IEC 62599-1 et à l'IEC 62599-2.

Les essais d'impact ne doivent pas être réalisés sur des composants délicats du détecteur, tels que des LED ou micros.

Sauf spécification contraire pour les essais opérationnels, le détecteur ne doit pas générer de signaux ou messages d'intrusion, d'autosurveillance, de défaut intempestifs lorsqu'il est soumis à la plage spécifiée des conditions d'environnement.

Pour les essais d'endurance, le détecteur doit continuer à satisfaire aux exigences de la présente Norme après avoir été soumis à la plage spécifiée des conditions d'environnement.

5 Marquage, identification et documentation

5.1 Marquage et/ou identification

Le marquage et/ou l'identification doivent être appliqués au produit conformément aux exigences de l'IEC 62642-1.

5.2 Documentation

Le produit doit être accompagné d'une documentation claire et concise conforme au document relatif aux systèmes de circuit principal, l'IEC 62642-1. En outre, la documentation doit mentionner:

- a) une liste de toutes les options, fonctions, entrées, signaux ou messages, indications et leurs caractéristiques associées;
- b) tous les paramètres de commande réglables de champ non admissibles ou des combinaisons de ces derniers;
- c) lorsque des réglages d'alignement sont fournis, leur fonction doit être étiquetée;
- d) la tension de fonctionnement nominale indiquée par le fabricant et la consommation de courant maximale et au repos pour cette tension;
- e) la plage de détection (valeurs minimales et maximales) et le schéma de couverture. Les instructions d'installation doivent être claires et concises afin que la plage maximale comprenne le point le plus éloigné de l'entrée du capteur pour tout point de la vitre surveillée;
- f) tous les types, dimension maximale, épaisseurs minimales et maximales de la vitre que le détecteur est déclaré détecter;
- g) toutes les restrictions liées à l'emplacement de montage du détecteur, ou toute autre restriction qui s'applique aux performances du détecteur;
- h) tous les paramètres spécifiques nécessaires pour satisfaire aux exigences du présent document pour le grade déclaré.

6 Essais

6.1 Généralités

Les essais ont pour objectif principal de vérifier le fonctionnement correct du détecteur par rapport à la spécification fournie par le fabricant. Tous les paramètres d'essai spécifiés doivent présenter une tolérance générale de $\pm 10\%$ sauf indication contraire. Une liste des essais est présentée sous forme de matrice générale d'essai dans l'Annexe I.

6.2 Conditions générales d'essai

6.2.1 Conditions normalisées de laboratoire pour les essais

Les conditions ambiantes générales dans le laboratoire de mesure et d'essai doivent être celles spécifiées ci-dessous, sauf indication contraire.

Température	15 °C à 35 °C
Humidité relative	25 % HR à 75 % HR
Pression atmosphérique	86 kPa à 106 kPa

6.2.2 Environnement et procédures des essais de détection généraux

6.2.2.1 Généralités

Les instructions documentées par le fabricant concernant le montage et le fonctionnement doivent être lues et appliquées pour tous les essais.

6.2.2.2 Environnement d'essai

Les détecteurs ou éléments de capteur sont montés en suivant la description du fabricant sur l'objet surveillé (vitre de fenêtre ou de porte). Certains essais sont effectués sur l'objet surveillé, d'autres sur des vitres (sans cadre) sur lesquelles les détecteurs sont montés directement.

6.2.2.3 Procédures d'essai

Les essais sont effectués avec les types de vitres déclarés par le fabricant. Ils sont effectués avec des vitres aux dimensions et épaisseurs spécifiées dans l'Annexe A.

De surcroît, les essais sont effectués avec la dimension maximale déclarée par le fabricant, si celle-ci est supérieure à la dimension maximale spécifiée dans l'Annexe A.

L'essai supplémentaire est effectué avec la vitre d'épaisseur la plus fine déclarée par le fabricant, si celle-ci est inférieure à l'épaisseur minimale spécifiée dans l'Annexe A.

Le détecteur doit être connecté à la tension d'alimentation nominale et au système de surveillance approprié pour l'essai. Il doit être permis au détecteur de se stabiliser pendant 180 s. Le signal ou message d'intrusion doit être surveillé. Si plusieurs modes de sensibilité sont disponibles, les modes non compatibles doivent être identifiés par le fabricant. Tous les modes compatibles doivent être soumis à essai.

6.3 Essai de détection de base

6.3.1 Généralités

L'essai de détection de base a pour but de vérifier qu'un détecteur reste opérationnel après qu'un ou des essais ont été réalisés. L'essai de détection de base vérifie uniquement les performances qualitatives du détecteur. L'essai de détection de base est effectué à l'aide de la source des essais de base (SEB).

6.3.2 Source des essais de base

Pour la vérification fonctionnelle, un dispositif qui simule une destruction ou bris de vitre, sans briser la vitre (SEB), doit être disponible; en variante, un panneau vitré de dimension normalisée (voir l'Annexe A) peut être brisé pour vérifier la détection. La source des essais de base (SEB) qui est spécifiée par le fabricant simule le bris d'une fenêtre vitrée normalisée par l'essai d'attaque de basse énergie.

Il convient que cet appareil soit un dispositif d'essai spécifié pour l'essai de simulation d'un bris de vitre, fourni ou recommandé par le fabricant.

Il convient que ce dispositif simule un bris ou une destruction de vitre en étant appliqué sur la vitre surveillée et simulant un son, une fréquence ou une condition qui est à détecter.

6.3.3 Méthode pour l'essai de détection de base

Le détecteur doit générer un signal ou un message d'intrusion lorsqu'un dispositif d'essai (SEB) est utilisé pour simuler un bris de vitre. L'essai est effectué conformément aux instructions du fabricant après la première installation, pour vérifier que tous les détecteurs sont installés correctement. Il est effectué à nouveau, après et/ou pendant les essais d'environnement dans des conditions identiques à celles dans lesquelles les essais ont été effectués la première fois, pour vérifier que les détecteurs continuent à fonctionner comme déclaré par le fabricant (par exemple, la plage de détection) et pour comparer ces résultats avec ceux de l'essai initial.

Si l'essai n'est pas compatible avec le détecteur, utiliser les informations du fabricant pour générer l'algorithme correct.

Le ou les détecteurs doivent produire un signal ou message d'intrusion s'ils sont exposés à un stimulus d'alarme avant et après la soumission à des essais qui peuvent avoir un impact négatif sur leurs performances.

6.4 Essais des performances

6.4.1 Généralités

Les conditions générales d'essai de 6.2.2 doivent s'appliquer à tous les essais de cette série.

Les performances de détection doivent être soumises à essai en fonction des déclarations documentées du fabricant. Toutes les commandes de variation doivent être appliquées aux valeurs recommandées par le fabricant pour atteindre les performances déclarées.

Les détecteurs doivent être évalués dans l'environnement d'essai spécifié.

6.4.2 Vérification des performances de détection

6.4.2.1 Généralités

Tous les essais des performances se basent sur des caractéristiques de destruction physique (par exemple, un son de bris) telles que la taille, l'épaisseur et les types de vitres que le fabricant déclare prendre en charge, y compris les types de vitres normalisées énumérés dans l'Annexe A, si le fabricant a déclaré les prendre en charge.

6.4.2.2 Essai des performances de sensibilité

Cet essai est effectué pour chaque type de vitre que le fabricant déclare prendre en charge. Chaque vitre est positionnée en haut du support / parties distantes pour garantir que le signal de bris de vitre peut atteindre les détecteurs sans être atténué.

Trois paires d'émetteurs et de récepteurs (ou d'éléments de capteur combinés) doivent être montées sur la vitre surveillée conformément aux instructions d'installation du fabricant (si une installation simultanée n'est pas possible, l'essai doit être effectué séparément pour chaque détecteur), à la distance maximale du bris de vitre prévu que le fabricant a déclaré prendre en charge. La distance maximale déclarée prise en charge détermine la dimension de la vitre.

En d'autres termes, un élément de capteur combiné est monté à la distance maximale et les éléments de capteur combinés restants sont montés parallèlement à cet élément de capteur combiné le long du bord éloigné de la vitre selon l'Annexe K, dans la portée déclarée prise en charge.

Dans le cas où l'élément de capteur se compose d'une paire émetteur-récepteur, celle-ci doit être installée selon les instructions du fabricant et la distance maximale est mesurée à partir de l'élément récepteur. Dans le cas où plusieurs éléments de détecteur peuvent être soumis à essai en même temps, les deux autres récepteurs doivent être montés à côté du premier élément récepteur le long du bord éloigné de la vitre selon les Figures K.1 et K.2.

Pour vérifier la sensibilité, le bord de la vitre est brisé avec une paire de pinces du côté éloigné de l'emplacement d'un récepteur ou d'un élément de capteur combiné, étant donné que les deux autres éléments de récepteur ou de capteur combiné demeurent dans la zone déclarée prise en charge. Les pinces doivent être appliquées de telle sorte qu'elles agrippent la vitre sur 100 mm² à 150 mm² au moment de briser la vitre. La sortie des détecteurs est surveillée pour savoir s'ils détectent le bris de vitre. Cet essai est effectué 3 fois pour chaque type de vitre; l'essai peut être répété sur la même vitre si celle-ci le permet.

Critères d'acceptation/de refus: 8 tentatives sur 9 doivent être détectées pour chaque type de vitre.

6.4.2.3 Essai des performances de bris

Ces essais doivent utiliser les caractéristiques de destruction physique (par exemple, un son de bris), l'épaisseur et les types de vitres que le fabricant déclare prendre en charge, y compris les types de vitres normalisées énumérés dans l'Annexe A, si le fabricant a déclaré les prendre en charge:

Pour chaque type de vitre que le fabricant a déclaré prendre en charge, 2 vitres de l'épaisseur nominale et de la dimension normalisée de l'Annexe A sont soumises à l'essai de chute d'une bille en acier conformément à la méthode d'essai des Figures J.1 et J.2. Huit échantillons doivent être utilisés pour mesurer les performances de détection (si une installation simultanée n'est pas possible, l'essai doit être effectué séparément pour chaque détecteur et peut exiger une vitre par détecteur).

Critères d'acceptation/de refus: Au moins 7 tentatives sur 8 doivent être détectées pour chaque type de vitre.

Les détecteurs doivent être montés à différents emplacements selon les instructions d'installation du fabricant.

6.4.3 Perçage d'un trou avec une pointe de diamant

Cet essai est effectué conformément au classement répertorié dans le Tableau 3.

Le perçage d'un trou est effectué à l'aide d'une pointe de diamant. Il est vérifié si le détecteur peut identifier et signaler une altération de l'intégrité du côté surveillé de la vitre. Trois détecteurs sont montés conformément aux instructions d'installation du fabricant (si une installation simultanée est possible, sinon l'essai doit être répété trois fois successivement). Une pointe de diamant d'un diamètre de 20 mm (± 1 mm) est utilisée pour percer un trou dans la vitre du côté opposé au côté surveillé. Cela est effectué une fois à l'emplacement le plus éloigné du détecteur ou de ses capteurs et quatre fois à des emplacements choisis de manière aléatoire dans la plage de couverture que le fabricant a déclaré prendre en charge.

Critères d'acceptation/de refus: L'essai a réussi si le ou les détecteurs ont indiqué l'altération de l'intégrité de la vitre pour l'emplacement le plus éloigné et ont détecté au moins trois des quatre tentatives sur les emplacements choisis de manière aléatoire. Dans le cas où l'altération de l'intégrité pour l'emplacement le plus éloigné n'a pas été indiquée, il est

possible d'effectuer trois essais supplémentaires à l'emplacement le plus éloigné et chacun d'eux est à indiquer par le détecteur.

L'altération de l'intégrité d'une vitre peut être due soit au perçage réussi d'un trou soit à la destruction de la vitre, entièrement ou en partie, qui permet de pénétrer dans le lieu de montage du détecteur ou du ou des capteurs.

Ces essais sont à répéter pour chaque type de vitre de dimension maximale et d'épaisseur minimale que le fabricant a déclaré prendre en charge.

6.4.4 Découpe du verre

Cet essai est effectué conformément au classement répertorié dans le Tableau 3.

Trois détecteurs ou éléments de capteur sont montés conformément aux instructions d'installation du fabricant (si une installation simultanée est possible, sinon l'essai doit être répété trois fois successivement). Un coupe-verre normalisé est utilisé pour couper un morceau de verre du côté opposé à celui où est monté le détecteur ou l'élément de capteur et le morceau coupé est brisé avec soin. Cela est effectué une fois à l'emplacement le plus éloigné du détecteur ou de ses capteurs et quatre fois à des emplacements choisis de manière aléatoire. À un emplacement, un cercle d'un diamètre de $100 \text{ mm} \pm 10 \text{ mm}$ est créé et retiré de la vitre avec soin.

Critères d'acceptation/de refus: L'essai a réussi si le ou les détecteurs ont indiqué l'altération de l'intégrité de la vitre pour l'emplacement le plus éloigné et ont détecté au moins trois des quatre tentatives sur les emplacements choisis de manière aléatoire. Dans le cas où l'altération de l'intégrité pour l'emplacement le plus éloigné n'a pas été indiquée, il est possible d'effectuer trois essais supplémentaires à l'emplacement le plus éloigné et chacun d'eux est à indiquer par le détecteur.

L'altération de l'intégrité d'une vitre peut être due soit à la découpe réussie de la vitre, soit à la destruction de la vitre, entièrement ou en partie, qui permet de pénétrer dans le lieu de montage du détecteur ou du ou des capteurs.

Tous ces essais sont à répéter pour chaque type de vitre de dimension maximale et d'épaisseur minimale que le fabricant a déclaré prendre en charge.

6.5 Délai de mise sous tension, intervalle de temps entre les signaux et indication de détection

Les conditions générales d'essai de 6.2 doivent s'appliquer.

Mettre le détecteur sous tension en activant l'indicateur (s'il est fourni) et attendre qu'il se stabilise pendant 180 s. Effectuer l'essai de détection de base. Noter la réponse. Après l'intervalle de temps spécifié entre les signaux, effectuer l'essai de détection de base. Noter la réponse. Désactiver l'indicateur d'intrusion (s'il est fourni). Après l'intervalle de temps spécifié entre les signaux, effectuer l'essai de détection de base. Noter la réponse.

Critères d'acceptation/de refus: Le détecteur doit générer un signal ou message d'intrusion en réponse à chacun des trois essais de détection de base. Pour les premier et deuxième essais de détection de base, le signal ou message d'intrusion et l'indicateur d'intrusion (s'il est fourni) doivent tous deux répondre. Pour le troisième essai de détection de base, il ne doit y avoir aucune indication.

6.6 Signaux ou messages de condition de défaut: autodiagnosics

Les conditions générales d'essai de 6.2 doivent s'appliquer.

Effectuer l'essai de détection de base pour vérifier que le détecteur fonctionne.

Critères d'acceptation/de refus: Le détecteur doit générer un signal ou message d'intrusion et ne doit pas générer de signaux ou messages d'autosurveillance ou de défaut.

Pour les détecteurs de grades 3 et 4, les surveiller à l'aide d'un autodiagnostic local.

Critères d'acceptation/de refus: Le détecteur ne doit pas générer de signaux ou messages d'intrusion, d'autosurveillance ou de défaut.

Pour les détecteurs de grade 4, les surveiller à l'aide d'un autodiagnostic distant. Noter la réponse.

Critères d'acceptation/de refus: Le détecteur doit générer un signal ou message d'intrusion et ne doit pas générer de signaux ou messages d'autosurveillance ou de défaut.

Court-circuiter à la terre la sortie de signal du capteur ou effectuer une opération équivalente selon les recommandations du fabricant. Pour les détecteurs de grades 3 et 4, les surveiller à l'aide d'un autodiagnostic local. Pour les détecteurs de grade 4, les surveiller également à l'aide d'un autodiagnostic distant. Pour les détecteurs munis de plusieurs sorties de signaux de capteur, l'essai ou les essais doivent être répétés individuellement pour chaque sortie.

Critères d'acceptation/de refus: (autodiagnostic local): Le détecteur doit générer un signal ou message de défaut et ne doit pas générer de signaux ou messages d'intrusion ou d'autosurveillance.

Critères d'acceptation/de refus: (autodiagnostic distant): Le détecteur doit générer un signal ou message de défaut et ne doit pas générer de signaux ou messages d'intrusion ou d'autosurveillance.

Il peut être nécessaire de consulter le fabricant du détecteur sur la méthode la plus appropriée pour la génération des défauts spécifiés.

6.7 Essais d'immunité aux fausses alarmes

6.7.1 Généralités

Les conditions générales d'essai de 6.2 doivent s'appliquer.

Cette section d'essai a pour but de vérifier que les impacts n'entraînant pas le bris de la vitre surveillée ne génèrent aucun type de signal ou message vers l'équipement de contrôle et de signalisation (CIE – control and indicating equipment).

Avant et après chacun des essais suivants, un essai fonctionnel de base (6.3) est effectué pour vérifier que chaque détecteur demeure dans un état de fonctionnement et de détection valide.

Les emplacements de montage des détecteurs ou des éléments de capteur correspondants doivent satisfaire aux instructions du fabricant.

Pour les essais qui exigent plusieurs détecteurs, il est possible de soumettre à essai les détecteurs séparément, si le fabricant le conseille.

Critères d'acceptation/de refus: Il ne doit pas y avoir de modification de statut du détecteur lors des différents essais suivants. Après chaque essai effectué, un essai fonctionnel de base doit générer un signal ou un message d'alarme.

6.7.2 Immunité aux petits objets heurtant la vitre

Cet essai simule de la grêle heurtant la fenêtre.

Tandis que six détecteurs ou éléments de capteur correspondants sont montés du côté opposé ("intérieur") de la vitre d'immunité normalisée; 3 kg de grêle en polyoxyméthylène selon la spécification ci-dessous sont déversés de l'autre côté ("extérieur") d'une vitre depuis un tuyau en plastique d'une longueur de 1,80 m, monté à une distance de 50 mm, depuis lequel la grêle parvient à heurter le centre de la vitre d'immunité normalisée surveillée.

Spécification des billes en polyoxyméthylène (Delrin®)²:

Matière	Delrin 500 ou 100 (ou équivalent)
Masse volumique	de 1 390 kg·m ⁻³ à 1 420 kg·m ⁻³ (ISO 1183)
Diamètre	12 mm ± 1 mm
Quantité par kg	790 morceaux à 800 morceaux
Résistance à la traction	57 MPa à 59 MPa (ISO 527-1/ ISO 527-2)
Dureté Rockwell	115 HRR à 122 HRR (ISO 2039-2)

Cette méthode d'essai doit être conforme à la Figure D.1.

Les critères généraux d'acceptation/de refus de 6.7.1 doivent s'appliquer.

6.7.3 Immunité aux objets mous heurtant la vitre

Cet essai simule des objets mous heurtant le centre de la vitre (par exemple, un poing).

Tandis que 6 détecteurs ou éléments de capteur correspondants sont montés du côté opposé ("intérieur") de la vitre d'immunité normalisée, un essai de pendule avec une bille en caoutchouc comportant les caractéristiques suivantes est effectué:

Objet de pendule (A)	Balle en caoutchouc
Diamètre	80 mm ± 5 mm
Poids	0,38 kg ± 0,05 kg
Angle α	60° ± 5°
Nombre d'essais	5
Pause minimale entre chaque essai:	5 s

La bille en acier et le haut du pendule sont reliés par un fil de coton d'un diamètre <3 mm. Chaque essai consiste en un coup, sans rebondissement répété.

La méthode d'essai doit être conforme à la Figure E.1.

Les critères généraux d'acceptation/de refus de 6.7.1 doivent s'appliquer.

6.7.4 Immunité aux objets durs heurtant la vitre

Cet essai simule des objets durs heurtant le centre de la vitre (par exemple, le guidon d'une bicyclette).

² Cette information est donnée à l'intention des utilisateurs de la présente norme et ne signifie nullement que l'IEC approuve ou recommande l'emploi exclusif du produit ainsi désigné. Des produits équivalents peuvent être utilisés s'il est démontré qu'ils conduisent aux mêmes résultats.

Tandis que 6 détecteurs ou éléments de capteur correspondants sont montés du côté opposé ("intérieur") de la vitre d'immunité normalisée, un essai de pendule avec une bille en acier comportant les caractéristiques suivantes est effectué:

Objet de pendule (A)	Bille en acier trempé
Diamètre	40 mm ± 3 mm
Poids	0,26 kg ± 0,03 kg
Angle α	27° ± 1°
Nombre d'essais	5
Pause minimale entre chaque essai:	5 s

La bille en acier et le haut du pendule sont reliés par un fil de coton d'un diamètre <3 mm. Chaque essai consiste en un coup, sans rebondissement répété.

La méthode d'essai doit être conforme à la Figure F.1.

Les critères généraux d'acceptation/de refus de 6.7.1 doivent s'appliquer.

6.7.5 Immunité à la pression statique

Cet essai simule une pression constante contre le centre de la vitre (par exemple, une modification de la puissance d'installation de la vitre dans le temps / une tension de la vitre dans le temps, des objets posés contre la vitre, etc.).

Tandis que 6 détecteurs ou éléments de capteur correspondants sont montés du côté opposé ("intérieur") de la vitre d'immunité normalisée, un essai de pression statique avec un cylindre pneumatique présentant les caractéristiques suivantes est effectué:

Force de l'objet de pression (F):	100 N, avec une tolérance de ± 5 N
Durée d'exposition:	de 5 s à 6 s
Nombre d'essais:	5
Pause minimale entre chaque essai:	5 s

Description du cylindre pneumatique:

Type:	Cylindre pneumatique
Diamètre de l'élément de contact en surface:	5 cm ± 0,2 cm
Type de surface de l'élément de contact en surface:	plat, PTFE

La méthode d'essai doit être conforme à la Figure G.1.

Les critères généraux d'acceptation/de refus de 6.7.1 doivent s'appliquer.

6.7.6 Immunité à la pression dynamique

Cet essai simule des pressions dynamiques variables contre le centre de la vitre (par exemple, une modification de la pression atmosphérique, le vent, etc.).

Tandis que 6 détecteurs ou éléments de capteur correspondants sont montés du côté opposé ("intérieur") de la vitre d'immunité normalisée, un essai de pression dynamique avec un cylindre pneumatique présentant les caractéristiques suivantes est effectué:

Force de l'objet de pression (F):	50 N, avec une tolérance de $\pm 2,5$ N
Durée d'exposition:	de 1 s à 2 s
Nombre d'essais:	5
Pause minimale entre chaque essai:	1 s

Description du cylindre pneumatique:

Type:	Cylindre pneumatique
Diamètre de l'élément de contact en surface:	5 cm \pm 0,2 cm
Type de surface de l'élément de contact en surface:	plat, PTFE

La méthode d'essai doit être conforme à la Figure H.1.

Les critères généraux d'acceptation/de refus de 6.7.1 doivent s'appliquer.

6.7.7 Immunité au bruit de large bande produit par des règles plates en acier

Cet essai simule une large bande de fréquences, proche du son d'un bris de vitre.

Comme outil d'essai, des règles en acier de trois types différents, présentant les types et caractéristiques suivants, sont utilisées:

- matériau: acier inoxydable avec 18 % CR, 8 % Ni;
- 1 règle en acier courte: longueur totale de 200 mm, coupe transversale de 13 par 0,4 mm, environ 0,01 kg;
- 1 règle en acier de taille moyenne: longueur totale de 300 mm, coupe transversale de 30 par 1 mm, environ 0,06 kg;
- 1 règle en acier longue: longueur totale de 500 mm, coupe transversale de 30 par 1 mm, environ 0,1 kg.

Tandis que 6 détecteurs sont montés sur le côté "intérieur" de la vitre d'immunité normalisée, chaque règle en acier est positionnée à différents emplacements sur le côté opposé ("extérieur") de la vitre sur laquelle les détecteurs sont montés, une extrémité étant maintenue sur la vitre et l'autre retenue à distance puis relâchée immédiatement pour heurter la vitre, selon le tableau suivant.

Tableau 6 – Simulation de bruit de large bande produit par des règles en acier plat

Essai – Catégorie de règle en acier	Description	
	Longueur de la partie maintenue	Distance par rapport à la vitre à laquelle la règle en acier est retenue
Petite règle en acier	3 cm	$\leq 12,5$ cm
Règle en acier moyenne	3,5 cm	≤ 15 cm
Grande règle en acier	3,8 cm	≤ 10 cm

Cet essai est effectué à différentes intensités et fréquences. Pour chaque règle, il convient d'effectuer 5 essais.

Les critères généraux d'acceptation/de refus de 6.7.1 doivent s'appliquer.

6.7.8 Immunité au bruit de large bande produit par des circuits intégrés

Cet essai simule une large bande de fréquences, proche du son d'un bris de verre.

L'outil d'essai est ici un circuit intégré avec pattes durcies / des circuits intégrés avec broches DIP40 PIN ou équivalentes. Une vitre d'immunité normalisée doit être utilisée. Les rayures sont effectuées sur le côté opposé de la vitre par rapport aux emplacements de montage des détecteurs.

Tandis que 6 détecteurs ou éléments de capteur correspondants sont montés sur le côté ("intérieur") de la vitre d'immunité normalisée, le côté opposé ("extérieur") est rayé; il convient que le temps d'essai maximal soit de 2 min.

Les critères généraux d'acceptation/de refus de 6.7.1 doivent s'appliquer.

6.8 Protection contre la fraude

6.8.1 Généralités

Les conditions générales d'essai de 6.2.1 doivent s'appliquer.

6.8.2 Prévention de l'accès non autorisé à la partie interne du détecteur via les carters et trous existants

Monter le détecteur conformément aux recommandations du fabricant. À l'aide de petits outils disponibles dans le commerce tels que ceux spécifiés dans l'Annexe B et en essayant de tordre le boîtier, tenter d'accéder à tous les composants et dispositifs de réglage qui, s'ils sont forcés, peuvent nuire au fonctionnement du détecteur.

Critères d'acceptation/de refus: L'accès normal doit exiger l'utilisation d'un outil approprié. Pour les grades spécifiés dans le Tableau 4, il ne doit pas être possible d'accéder à aucun composant, dispositif de réglage qui, s'il est forcé, peut nuire au fonctionnement du détecteur, sans générer de signal ou message d'autosurveillance ni causer de dommages visibles.

6.8.3 Détection d'arrachement du détecteur de sa surface de montage

Confirmer le fonctionnement du dispositif de fraude arrière en retirant le détecteur de la surface de montage. Placer l'appareil sur la surface de montage sans le monter de façon permanente. Soulever lentement le détecteur de sa surface de montage et essayer d'empêcher le fonctionnement du dispositif de fraude en insérant une bande en acier de 100 mm à 200 mm de long sur 10 mm à 20 mm de large et 1 mm d'épaisseur, entre le dos du détecteur et sa surface de montage.

Critères d'acceptation/de refus: Un signal ou message d'autosurveillance doit être généré avant que le dispositif de fraude ne puisse être bloqué.

6.8.4 Résistance aux interférences dues au champ magnétique

Mettre le détecteur sous tension et attendre 180 s. Un aimant de rémanence nominale selon l'Annexe C et le Tableau 4 doit être placé successivement sur chaque surface du boîtier du détecteur pendant que l'essai de détection de base est effectué. L'aimant doit être appliqué de manière à assurer qu'un seul pôle magnétique entre au contact de la surface, pour optimiser la pénétration du flux. Enregistrer la réponse du détecteur.

Interroger ensuite chaque dispositif de détection de fraude et enregistrer toute modification d'état, y compris l'état du relais. Les aimants doivent être conformes aux spécifications de l'Annexe C.

Critères d'acceptation/de refus: Un signal ou message d'autosurveillance doit être généré, selon le Tableau 4 ou le détecteur doit continuer à fonctionner normalement sans qu'un signal ou message ne soit généré. La présence de l'aimant ne doit pas empêcher la génération correcte des signaux ou messages.

6.8.5 Détection du masquage

Un journal mouillé doit être placé de l'autre côté de la face surveillée de la vitre d'immunité normalisée, en couvrant l'ensemble de la surface de la vitre. Une fois que le matériau a été appliqué sur la vitre, attendre pendant 180 s que le système se stabilise et briser la vitre selon l'Article J.1.

Critères d'acceptation/de refus: Un signal ou message d'intrusion et/ou de défaut ou un signal ou message antimasquage indépendant doit être généré dans les 180 s après application du matériau de masquage et doit continuer à être généré tant que le matériau reste en place. En variante, le détecteur doit continuer à fonctionner normalement.

Si l'essai échoue, il doit être répété deux fois. Deux essais réussis sur trois doivent entraîner l'acceptation de l'essai.

6.9 Essais électriques

6.9.1 Généralités

La SEB donnée en 6.3 doit être utilisée pour la vérification si cela est approprié. Connecter le détecteur à une alimentation électrique stabilisée variable et le laisser se stabiliser pendant au moins 180 s.

Le Tableau 5 spécifie la dépendance de grade.

6.9.2 Consommation de courant du détecteur

Cet essai n'est pas applicable aux détecteurs dont l'alimentation est de type C.

Connecter le détecteur à une alimentation électrique stabilisée variable adaptée avec un compteur de mesure du courant monté en série. Raccorder un voltmètre sur les bornes d'entrée d'alimentation du détecteur. Régler la tension à la tension d'alimentation nominale et laisser le détecteur se stabiliser pendant au moins 180 s.

Placer le détecteur dans le mode consommant le plus de courant comme décrit par le fabricant et mesurer le courant utilisé.

Placer le détecteur dans le mode consommant le courant de repos comme décrit par le fabricant et mesurer le courant utilisé.

Critères d'acceptation/de refus: Le courant ne doit pas dépasser les valeurs indiquées par le fabricant de plus de 20 % dans les deux modes.

6.9.3 Variation lente de la tension d'entrée et limites de plage de tensions d'entrée

Connecter le détecteur à une alimentation électrique stabilisée variable adaptée.

Élever la tension d'alimentation de zéro à un taux de $0,1 \text{ V}\cdot\text{s}^{-1}$ par pas ne dépassant pas 10 mV jusqu'à atteindre la tension d'alimentation nominale $V - 25 \%$ ou la tension d'alimentation minimale spécifiée par le fabricant, selon la valeur la plus faible. Laisser le détecteur se stabiliser pendant 180 s.

Surveiller les signaux ou messages d'intrusion et de défaut et effectuer l'essai de détection de base. Cet essai n'est pas applicable aux détecteurs dont l'alimentation est de type C.

Critères d'acceptation/de refus: L'essai de détection de base doit générer un signal ou message d'intrusion, mais ne doit pas générer un signal ou message de défaut.

Réinitialiser la tension d'entrée à la valeur nominale $V + 25\%$ ou au niveau maximal spécifié par le fabricant, selon la valeur la plus grande. Laisser le détecteur se stabiliser pendant 180 s. Surveiller les signaux ou messages d'intrusion et de défaut et effectuer l'essai de détection de base. Cet essai n'est pas applicable aux détecteurs dont l'alimentation est de type C.

Critères d'acceptation/de refus: L'essai de détection de base doit générer un signal ou message d'intrusion, mais ne doit pas générer un signal ou message de défaut.

Pour les détecteurs correspondant aux exigences liées au grade selon le Tableau 1, réduire la tension d'alimentation à un taux de $0,1 \text{ V}\cdot\text{s}^{-1}$ par pas ne dépassant pas 10 mV jusqu'à ce qu'un signal ou message de défaut soit généré. Effectuer l'essai de détection de base.

Critères d'acceptation/de refus: Pour les détecteurs correspondant aux exigences liées au grade selon le Tableau 1, le détecteur doit générer un signal ou message de défaut selon les exigences du Tableau 2 avant le moment où aucun signal ou message d'intrusion n'est plus généré lorsque l'essai de détection de base est réalisé.

6.9.4 Ondulation de la tension d'entrée

Cet essai n'est pas applicable aux détecteurs dont l'alimentation est de type C.

Régler un générateur de signaux à la tension nominale V . Attendre pendant 180 s que le détecteur se stabilise. Moduler la tension d'alimentation du détecteur V de $\pm 10\%$ à une fréquence de 100 Hz pendant 180 s supplémentaires.

Pendant l'application de l'ondulation, effectuer un essai de détection de base. Observer si des signaux ou messages d'intrusion ou de défaut sont générés.

Critères d'acceptation/de refus: Aucun signal ou message intempestif ne doit être généré par le détecteur pendant l'essai d'ondulation de tension. La SEB doit générer un signal ou message d'intrusion.

6.9.5 Variation en échelon de la tension d'entrée

Cet essai n'est pas applicable aux détecteurs dont l'alimentation est de type C.

Connecter le détecteur à un générateur d'onde carrée limité à un courant maximal de 1 A, capable de basculer de la tension d'alimentation nominale V à la tension nominale $V \pm 25\%$ en 1 ms.

Régler la tension d'entrée à la tension d'alimentation nominale V et attendre pendant au moins 180 s que le détecteur se stabilise. Surveiller les signaux ou messages d'intrusion et de défaut. Appliquer dix impulsions d'onde carrée successives de tensions d'alimentation nominales V à $V + 25\%$, d'une durée de 5 s à des intervalles de 10 s. Répéter l'essai de variation en échelon pour la plage de tensions de V à $V - 25\%$.

Critères d'acceptation/de refus: Aucun signal ou message intempestif ne doit être généré par le détecteur pendant l'essai.

6.9.6 Perte totale d'alimentation

Cet essai n'est pas applicable aux détecteurs dont l'alimentation est de type C.

Connecter le détecteur à une alimentation électrique stabilisée variable adaptée. Régler la tension à la tension d'alimentation nominale et laisser le détecteur se stabiliser pendant au moins 180 s.

Surveiller les signaux ou messages d'intrusion et de défaut et déconnecter le détecteur de l'alimentation électrique.

Critères d'acceptation/de refus: Le détecteur doit générer soit des signaux, soit des messages, selon les exigences du Tableau 2. En variante, la perte totale d'alimentation électrique peut être déterminée par la perte de communication avec le détecteur par l'équipement de contrôle et de signalisation (CIE – control and indicating equipment).

6.10 Classification et conditions d'environnement

Sauf indication contraire, les conditions générales d'essai de 6.2.1 doivent s'appliquer.

Les détecteurs doivent être soumis aux conditions d'environnement décrites dans l'IEC 62599-1 conformément aux exigences des Tableaux 7 et 8, et des essais relatifs à la famille de produits CEM de la norme IEC 62599-2.

Les détecteurs soumis aux essais opérationnels sont toujours mis sous tension. Les détecteurs soumis aux essais d'endurance sont toujours mis hors tension.

Surveiller si le détecteur génère des signaux ou messages d'intrusion et d'autosurveillance (le cas échéant) intempestifs. Aucun essai fonctionnel n'est exigé pendant les essais.

Après les essais et une période de récupération éventuelle spécifiée par la norme relative à l'essai d'environnement, effectuer l'essai de détection de base et inspecter visuellement l'intérieur et l'extérieur du détecteur pour déceler des signes de dommages mécaniques.

Après l'essai de pénétration d'eau, essuyer les gouttes d'eau à l'extérieur du boîtier, sécher le détecteur et effectuer l'essai de détection de base. L'air chaud ne doit pas être utilisé pour le séchage.

Après l'essai de SO₂, les détecteurs doivent être lavés et séchés conformément à la procédure spécifiée dans l'IEC 60068-2-52:1984 (Première édition). L'essai de détection de base doit être effectué immédiatement après le séchage.

Tableau 7 – Essais opérationnels

Essai	Classification d'environnement		
	Classe I	Classe II	Classe III
Chaleur sèche	Exigé	Exigé	Exigé
Froid	Exigé	Exigé	Exigé
Chaleur humide (essai continu)	Exigé	Non exigé	Non exigé
Chaleur humide (cyclique)	Non exigé	Exigé	Exigé
Pénétration d'eau	Non exigé	Non exigé	Exigé
Secousses mécaniques	Exigé	Exigé	Exigé
Vibration	Exigé	Exigé	Exigé
Impact	Exigé	Exigé	Exigé
CEM	Exigé	Exigé	Exigé

Critères d'acceptation/de refus: Il ne doit pas se produire de signaux ou messages intempestifs pendant les essais. Il ne doit pas y avoir de signes de dommage mécanique après les essais et le détecteur doit continuer à satisfaire aux exigences de l'essai de détection de base.

Tableau 8 – Essais d'endurance

Essai	Classification d'environnement		
	Classe I	Classe II	Classe III
Chaleur humide (essai continu)	Exigé	Exigé	Exigé
Chaleur humide (cyclique)	Non exigé	Non exigé	Exigé
Corrosion par le SO ₂	Non exigé	Exigé	Exigé
Vibrations (sinusoïdales)	Exigé	Exigé	Exigé

Critères d'acceptation/de refus: Il ne doit pas y avoir de signes de dommage mécanique après les essais et le détecteur doit continuer à satisfaire aux exigences de l'essai de détection de base.

6.11 Marquage, identification et documentation

6.11.1 Marquage et/ou identification

Inspecter visuellement le détecteur pour confirmer qu'il est marqué à l'intérieur ou à l'extérieur par le marquage et/ou l'identification exigé(e) (indiqué dans l'IEC 62642-1).

Critères d'acceptation/de refus: Tous les marquages spécifiés doivent être présents.

6.11.2 Documentation

Par inspection visuelle, s'assurer que le détecteur est accompagné d'instructions d'installation claires et concises et de fonctions de maintenance, de toutes les informations spécifiées dans la présente Norme et dans l'IEC 62642-1, et des données de performances déclarées par les fabricants.

Critères d'acceptation/de refus: Toutes les informations spécifiées doivent être présentes.

Annexe A (normative)

Catalogue des types de vitres normalisées

Veillez trouver dans le Tableau A.1 ci-dessous les types de vitres normalisées qui doivent être utilisées dans les essais individuels, le cas échéant.

Tableau A.1 – Types de vitres normalisées

Type de vitre	Épaisseur nominale	Écart acceptable
Plaque / Flottante	6 mm	± 2 mm
À revêtement (épaisseur du verre plus un film)*	6 mm	± 3 mm
Trempée	6 mm	± 2 mm
Feuilletée	6 mm	± 3 mm
Joint d'isolation**	4 mm	± 2 mm
Armée	6 mm	± 2 mm
<p>* Une vitre à revêtement est considérée comme revêtue à des fins de non-intrusion. Le verre revêtu pour prévenir l'intrusion doit être manipulé et soumis à essai comme du verre feuilleté.</p> <p>** L'épaisseur mentionnée ici décrit l'épaisseur de la vitre interne. La distance entre la vitre interne et externe doit être comprise entre 10 mm et 20 mm.</p>		

Les dimensions des vitres dans cette annexe sont les suivantes:

Dimension maximale	1 000 mm par 2 000 mm
Dimension normalisée	800 mm par 1 000 mm

Vitre d'immunité normalisée:

Dimension	800 mm par 1 000 mm
Épaisseur	6 mm ± 1 mm
Type	Encadrée, plaque de verre normalisée

Annexe B (informative)

Liste des petits outils adaptés pour les essais d'immunité du boîtier aux attaques

Couteau	Aimant
Règle en acier	Papier
Fil	Pince
Allumettes	Petit kit de tournevis
Trombone	Câble dur (1 mm ± 0,05 mm comme dans l'IEC 60529 IP4X)
Stylo	

Annexe C (normative)

Dimensions et exigences d'un aimant d'essai normalisé

C.1 Documents de référence

Les aimants d'essai d'interférence doivent comprendre un aimant identique à celui fourni avec le détecteur et un aimant correspondant à l'un des aimants d'essai indépendants spécifiés ci-après, selon que le détecteur est monté en surface ou encastré.

Les normes suivantes constituent la base pour sélectionner l'aimant d'essai indépendant:

IEC 60404-5, *Matériaux magnétiques – Partie 5: Aimants permanents (magnétiques durs) – Méthodes de mesure des propriétés magnétiques*

IEC 60404-8-1, *Matériaux magnétiques – Partie 8-1: Spécifications pour matériaux particuliers – Matériaux magnétiquement durs*

IEC 60404-14, *Matériaux magnétiques – Partie 14: Méthode de mesure du moment magnétique coulombien d'une éprouvette de matériau ferromagnétique par la méthode du retrait ou la méthode par rotation*

C.2 Exigences

Préalablement à tout étalonnage, il convient de mesurer la force du champ de l'aimant déterminée par le matériau magnétique, par la rémanence (B_r) en mT et par le produit de l'énergie $(BH)_{\max}$ en kJ/m^3 , qui dépendent du matériau dans la mesure où les valeurs donnent la saturation complète du matériau considéré.

Il est nécessaire de régler la force du champ de l'aimant d'essai à la polarisation du point d'application en mT comme défini.

La valeur, les dimensions et le point de mesure pertinents pour l'aimant d'essai sont présentés dans les schémas et tableaux suivants. Pour les calculs, les mesurages et l'étalonnage des aimants d'essai, les normes susmentionnées doivent être utilisées.

L'aimant d'essai indépendant pour l'aimant d'essai de type 1 est décrit à la Figure C.1, alors que l'aimant d'essai indépendant pour l'aimant d'essai de type 2 est décrit à la Figure C.2.

Afin que les aimants considérés soient correctement réglés aux valeurs appropriées et étalonnés (par exemple, à la polarisation du point d'application), il est fortement recommandé de faire appel à un laboratoire d'essai accrédité en matière de champs magnétiques pour réaliser les réglages des valeurs magnétiques pour les aimants commandés.

Il est possible de s'adresser à la source suivante: ³

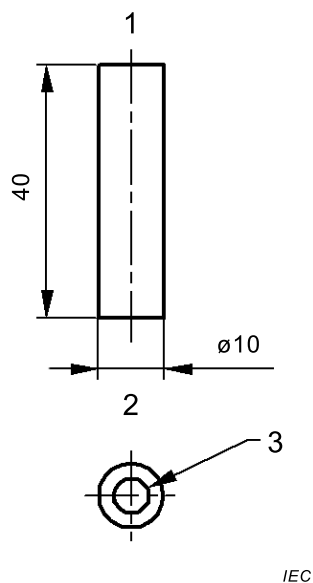
MAGNET-PHYSIK

Dr. Steingroever GmbH

Emil-Hoffmann-Strasse 3

³ Cette information est donnée à l'intention des utilisateurs de la présente norme et ne signifie nullement que l'IEC approuve ou recommande l'emploi exclusif du produit ainsi désigné. Des produits équivalents peuvent être utilisés s'il est démontré qu'ils conduisent aux mêmes résultats.

50966 Cologne, Allemagne

www.magnet-physik.de

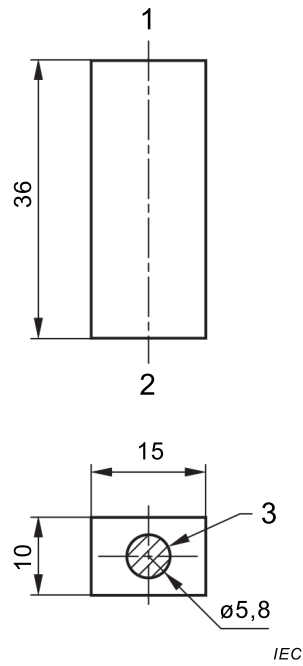
IEC

Légende

- 1 Pôle nord
- 2 Pôle sud
- 3 Pôle nord

Matériau	NdFeB N40 (REFeB 310/130 – numéro de code R5-1-11)
Rémanence B_r min	1 275 mT \pm 2 %
Produit de l'énergie $(BH)_{\max}$	310 kJ/m ³ \pm 3 %
Polarisation du point d'application	0,835 T \pm 2 %

Figure C.1 – Aimant d'essai – Aimant de type 1



Légende

- 1 Pôle nord
- 2 Pôle sud
- 3 Pôle nord (hachuré)

Matériau	NdFeB N38 (REFeB 280/120 – Numéro de code R5-1-7) nickelé
Rémanence B_r min	1 240 mT
Produit de l'énergie $(BH)_{max}$	280 kJ/m ³
Polarisation du point d'application	Rémanence $B_r - 2 \%$

Figure C.2 – Aimant d'essai – Aimant de type 2

Annexe D (normative)

Essai d'immunité: sensibilité aux chocs par de petits objets

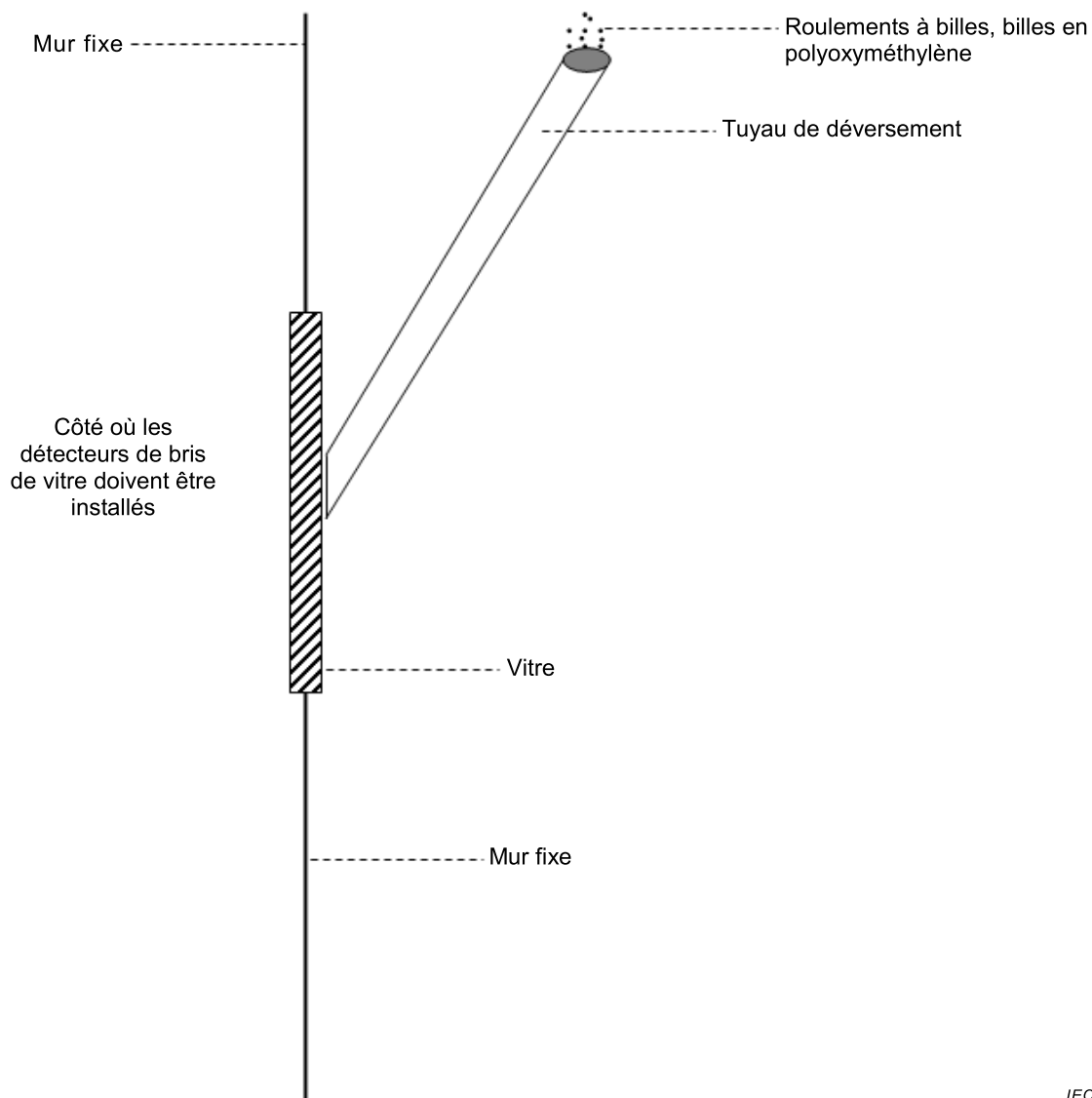


Figure D.1 – Configuration d'essai d'immunité pour sensibilité aux chocs par de petits objets

Le diamètre intérieur du tuyau doit être de 110 mm et le tuyau doit être en PVC.

L'angle du tuyau correspondant à la surface de la vitre doit être de $45^\circ \pm 2^\circ$, l'extrémité du tuyau dirigée vers la surface de la vitre doit être coupée comme indiqué à la Figure D.1.

Le tuyau doit être monté de sorte que la distance entre son extrémité et la vitre soit de 50 mm au stade final où la bille heurte la surface de la vitre et les roulements à billes heurtent le point central de la surface de la vitre.

Annexe E
(normative)

Essai d'immunité: sensibilité aux chocs par des objets mous

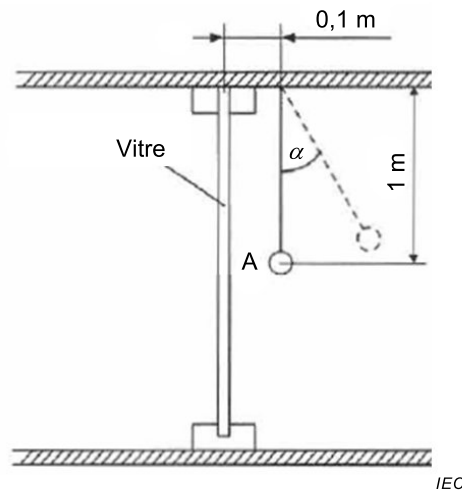


Figure E.1 – Configuration d'essai d'immunité pour sensibilité aux chocs par des objets mous

Annexe F (normative)

Essai d'immunité: sensibilité aux chocs par des objets durs

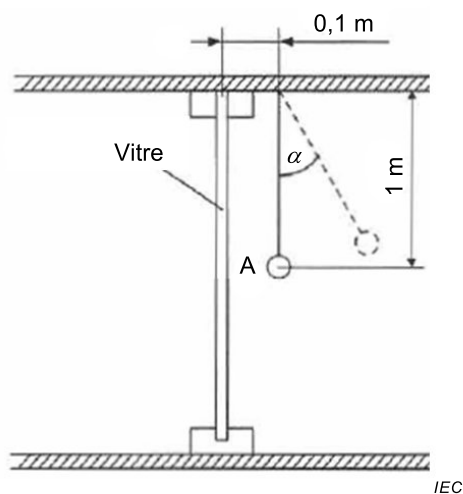


Figure F.1 – Configuration d'essai d'immunité pour sensibilité aux chocs par des objets durs

Annexe G
(normative)

Essai d'immunité: sensibilité à la pression statique

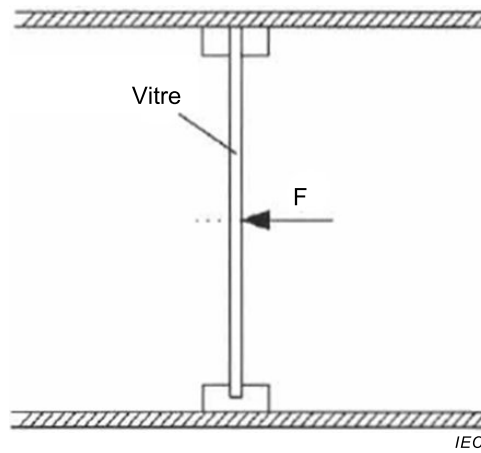


Figure G.1 – Configuration d'essai d'immunité pour sensibilité à la pression statique

Annexe H (normative)

Essai d'immunité: sensibilité à la pression dynamique

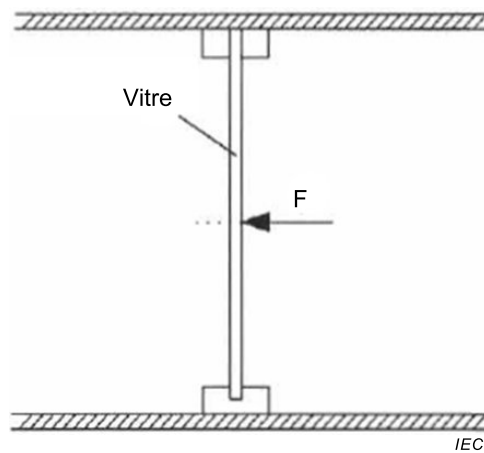


Figure H.1 – Configuration d'essai d'immunité pour sensibilité à la pression dynamique

Annexe I (normative)

Matrice générale des essais

Veillez trouver dans le Tableau I.1 ci-dessous la référence et la relation des échantillons d'essai par rapport aux essais individuels.

Tableau I.1 – Matrice d’essai et d’échantillon

Intitulé d'essai principal	Tâche à effectuer conjointement avec l'essai principal			Échantillon n° a
	Avant l'essai principal	Pendant l'essai principal	Après l'essai principal	
Essais des performances				
Essai des performances de sensibilité	Aucune	6.4.2.2	Aucune	1 à 3
Essai des performances de bris	Aucune	6.4.2.3	Aucune	4 à 11
Perçage d'un trou avec une pointe de diamant	Aucune	6.4.3	Aucune	12 à 14
Découpe du verre	Aucune	6.4.4	Aucune	15 à 17
Délai de mise sous tension, intervalle de temps entre les signaux et indication de détection	Aucune	6.5	Aucune	18
Signaux ou messages de condition de défaut: autodiagnosics	Aucune	6.6	Aucune	18
Essai d'immunité aux fausses alarmes				
Immunité aux petits objets heurtant la vitre	6.3.3	6.7.2	6.3.3	4 à 9
Immunité aux objets mous heurtant la vitre	6.3.3	6.7.3	6.3.3	4 à 9
Immunité aux objets durs heurtant la vitre	6.3.3	6.7.4	6.3.3	4 à 9
Immunité à la pression statique	6.3.3	6.7.5	6.3.3	4 à 9
Immunité à la pression dynamique	6.3.3	6.7.6	6.3.3	4 à 9
Immunité au bruit de large bande produit par des règles plates en acier	6.3.3	6.7.7	6.3.3	4 à 9
Immunité au bruit de large bande produit par des circuits intégrés	6.3.3	6.7.8	6.3.3	4 à 9
Protection contre la fraude				
Prévention de l'accès non autorisé à la partie interne du détecteur via les carters et trous existants	Aucune	6.8.2	Aucune	19
Détection de l'arrachement du détecteur de sa surface de montage	Aucune	6.8.3	Aucune	20
Résistance aux interférences dues au champ magnétique	Aucune	6.8.4	Aucune	1
Détection du masquage	Aucune	6.8.5	Aucune	21b
Essais électriques				
Consommation de courant du détecteur	Aucune	6.9.2	Aucune	22
Variation lente de la tension d'entrée et limites de plage de tensions d'entrée	Aucune	6.9.3	Aucune	22
Ondulation de la tension d'entrée	Aucune	6.9.4	Aucune	22
Variation en échelon de la tension d'entrée	Aucune	6.9.5	Aucune	22
Perte totale d'alimentation	Aucune	6.9.6	Aucune	22
Classification et conditions d'environnement				
Essais opérationnels				

Intitulé d'essai principal	Tâche à effectuer conjointement avec l'essai principal			Échantillon n° ^a
	Avant l'essai principal	Pendant l'essai principal	Après l'essai principal	
Chaleur sèche	6.3.3	6.10	6.3.3	23
Froid	6.3.3	6.10	6.3.3	23
Chaleur humide (essai continu)	6.3.3	6.10	6.3.3	24
Chaleur humide (cyclique)	6.3.3	6.10	6.3.3	24
Pénétration d'eau	6.3.3	6.10	6.3.3	25
Secousses mécaniques	6.3.3	6.10	6.3.3	26
Vibration	6.3.3	6.10	6.3.3	27
Impact	6.3.3	6.10	6.3.3	26
CEM	6.3.3	6.10	6.3.3	28
Essais d'endurance				
Chaleur humide (essai continu)	6.3.3	6.10	6.3.3	24
Chaleur humide (cyclique)	6.3.3	6.10	6.3.3	24
Corrosion par le SO ₂	6.3.3	6.10	6.3.3	29
Vibrations (sinusoïdales)	6.3.3	6.10	6.3.3	27
Marquage et/ou identification	Aucune	6.11.1	Aucune	1
Documentation	Aucune	6.11.2	Aucune	1
^a Les nombres de cette colonne ne sont que des suggestions et peuvent varier selon les essais effectués, leurs résultats et les recommandations du fabricant. ^b Pour les essais de masquage, des échantillons supplémentaires peuvent être exigés.				

Annexe J
(normative)

**Configuration d'essai des performances
et variante de configuration d'essai des performances**

J.1 Configuration d'essai des performances

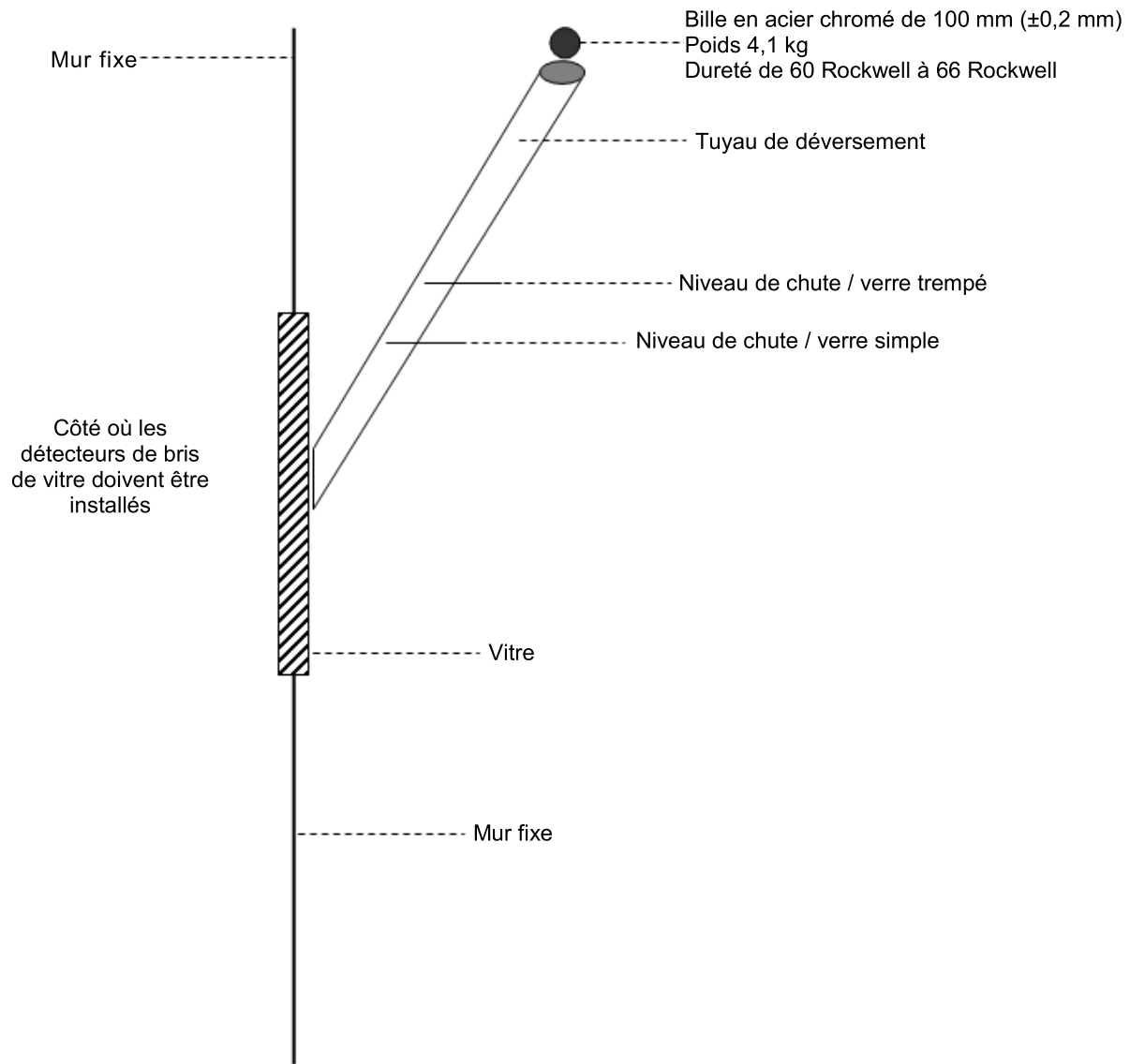


Figure J.1 – Configuration d'essai des performances

Le diamètre intérieur du tuyau doit être de 110 mm et le tuyau doit être en PVC.

L'angle du tuyau correspondant à la surface de la vitre doit être de $45^\circ \pm 2^\circ$, l'extrémité du tuyau dirigée vers la surface de la vitre doit être coupée comme indiqué à la Figure J.1.

Le tuyau doit être monté de sorte que la distance entre son extrémité et la vitre soit de 50 mm au stade final où la bille heurte la surface de la vitre en son point central et la brise entièrement. La surface de la bille doit être polie et lisse pour chaque essai effectué.

Tableau J.1 – Matrice d'essai des performances

	Épaisseur maximale	Hauteur de chute minimale
Flottante	8 mm	1,1 m
Joints d'isolation	20 mm (4 mm/12 mm/4 mm)	1,8 m
Verre armé	8 mm	1,8 m
Verre trempé	8 mm	1,8 m
Verre revêtu	9 mm	12,0 m
Verre feuilleté	9 mm	12,0 m

J.2 Variante de configuration d'essai des performances

En variante à la configuration d'essai des performances décrite en J.1, il est possible d'utiliser un outil susceptible de briser le verre feuilleté ou revêtu de l'épaisseur spécifiée ci-dessous.

Dans ce cas, il faut que l'outil soit muni d'un moyen permettant de lâcher un objet volant libre et il faut que l'outil ainsi que l'objet soient conformes aux caractéristiques suivantes:

- il convient que l'objet volant libre soit une sphère;
- il convient que la masse minimale de la sphère soit de $0,9 \text{ kg} \pm 2 \%$;
- il convient que la masse maximale de la sphère soit de $8 \text{ kg} \pm 2\%$;
- il convient que la sphère soit fabriquée en acier trempé d'une plage de dureté de 60 Rockwell à 66 Rockwell.

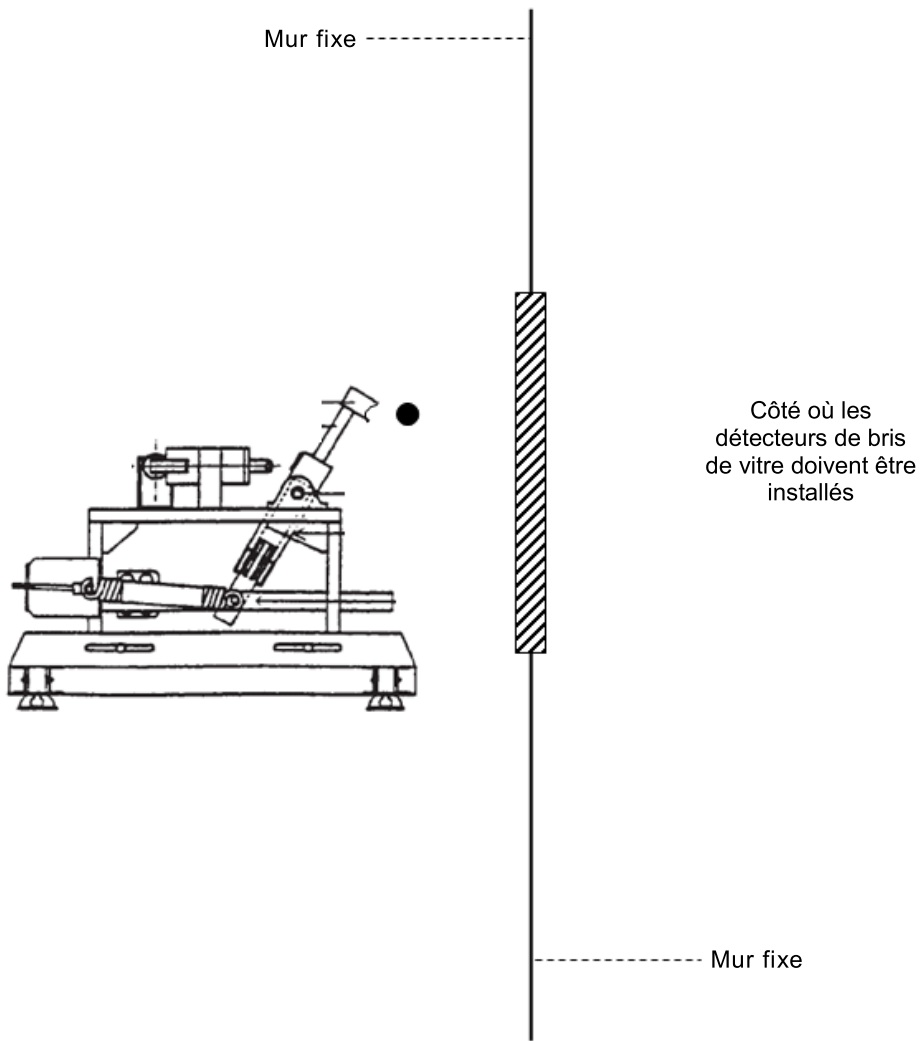
L'essai effectué doit respecter les conditions suivantes:

- il convient que la vitesse de la sphère soit comprise entre $10 \text{ m}\cdot\text{s}^{-1}$ et $30 \text{ m}\cdot\text{s}^{-1}$ lors du choc sur la vitre;
- il convient que la sphère heurte la surface de la vitre en son centre $\pm 50 \text{ mm}$;
- il convient que l'énergie minimale soit de 400 J au point d'impact sur la vitre;
- l'angle auquel l'objet heurte la vitre doit être à $\pm 10^\circ$ de l'axe perpendiculaire à la vitre;
- il convient que la vitre se brise au premier choc et il convient qu'elle ne génère pas de bruit supplémentaire dû au rebondissement de l'objet, etc.

Tableau J.2 – Variante de matrice d'essai des performances

Verre normalisé	Épaisseur maximale
Verre feuilleté (par exemple 4/0,76/4 mm)	9 mm
Verre revêtu (revêtement anti-intrusion, par exemple 8 mm plus un film de 0,36 mm)	9 mm

Un schéma de configuration à caractère informatif d'une configuration d'essai potentielle est présenté à la Figure J.2.



IEC

Figure J.2 – Variante de configuration d'essai des performances

Annexe K (normative)

Essai de sensibilité des performances

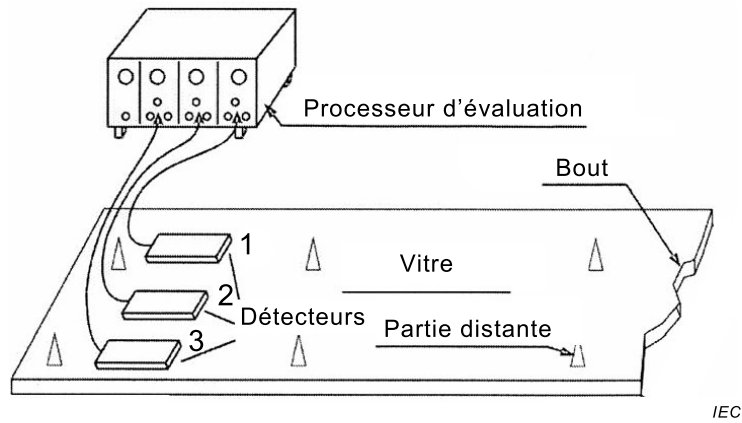


Figure K.1 – Configuration d'essai des détecteurs de bris de vitre montés en surface et des éléments de capteur combinés

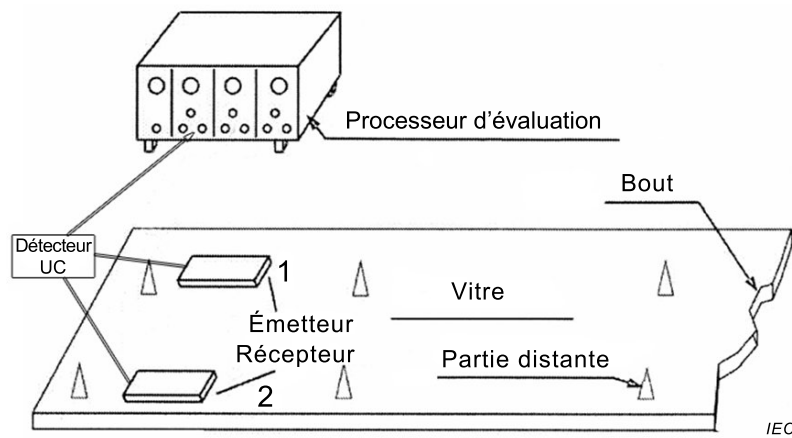


Figure K.2 – Configuration d'essai des détecteurs de bris de vitre montés en surface et d'une paire émetteur-récepteur

Bibliographie

IEC 60068-1:2013, *Essais d'environnement – Partie 1: Généralités et lignes directrices*

IEC 60404-5, *Matériaux magnétiques – Partie 5: Aimants permanents (magnétiques durs) – Méthodes de mesure des propriétés magnétiques*

IEC 60404-8-1, *Matériaux magnétiques – Partie 8-1: Spécifications pour matériaux particuliers – Matériaux magnétiquement durs*

IEC 60404-14, *Matériaux magnétiques – Partie 14: Méthode de mesure du moment magnétique coulombien d'une éprouvette de matériau ferromagnétique par la méthode du retrait ou la méthode par rotation*

IEC 60529, *Degrés de protection procurés par les enveloppes (Code IP)*

IEC 62642-6, *Systèmes d'alarme – Systèmes d'alarme contre l'intrusion et les hold-up – Partie 6: Alimentation*

ISO 527-1, *Plastiques – Détermination des propriétés en traction – Partie 1: Principes généraux*

ISO 527-2, *Plastiques – Détermination des propriétés en traction – Partie 2: Conditions d'essai des plastiques pour moulage et extrusion*

ISO 1183-2, *Plastiques – Méthodes de détermination de la masse volumique des plastiques non alvéolaires – Partie 2: Méthode de la colonne à gradient de masse volumique*

ISO 2039-2, *Plastiques – Détermination de la dureté – Partie 2: Dureté Rockwell*

INTERNATIONAL
ELECTROTECHNICAL
COMMISSION

3, rue de Varembé
PO Box 131
CH-1211 Geneva 20
Switzerland

Tel: + 41 22 919 02 11
Fax: + 41 22 919 03 00
info@iec.ch
www.iec.ch