

# INTERNATIONAL STANDARD

# NORME INTERNATIONALE

BASIC EMC PUBLICATION  
PUBLICATION FONDAMENTALE EN CEM

**Electromagnetic compatibility (EMC) –  
Part 4-17: Testing and measurement techniques – Ripple on d.c. input power  
port immunity test**

**Compatibilité électromagnétique (CEM) –  
Partie 4-17: Techniques d'essai et de mesure – Essai d'immunité à l'ondulation  
résiduelle sur entrée de puissance à courant continu**



## THIS PUBLICATION IS COPYRIGHT PROTECTED

Copyright © 2009 IEC, Geneva, Switzerland

All rights reserved. Unless otherwise specified, no part of this publication may be reproduced or utilized in any form or by any means, electronic or mechanical, including photocopying and microfilm, without permission in writing from either IEC or IEC's member National Committee in the country of the requester.

If you have any questions about IEC copyright or have an enquiry about obtaining additional rights to this publication, please contact the address below or your local IEC member National Committee for further information.

Droits de reproduction réservés. Sauf indication contraire, aucune partie de cette publication ne peut être reproduite ni utilisée sous quelque forme que ce soit et par aucun procédé, électronique ou mécanique, y compris la photocopie et les microfilms, sans l'accord écrit de la CEI ou du Comité national de la CEI du pays du demandeur.

Si vous avez des questions sur le copyright de la CEI ou si vous désirez obtenir des droits supplémentaires sur cette publication, utilisez les coordonnées ci-après ou contactez le Comité national de la CEI de votre pays de résidence.

IEC Central Office  
3, rue de Varembe  
CH-1211 Geneva 20  
Switzerland  
Email: [inmail@iec.ch](mailto:inmail@iec.ch)  
Web: [www.iec.ch](http://www.iec.ch)

### About the IEC

The International Electrotechnical Commission (IEC) is the leading global organization that prepares and publishes International Standards for all electrical, electronic and related technologies.

### About IEC publications

The technical content of IEC publications is kept under constant review by the IEC. Please make sure that you have the latest edition, a corrigenda or an amendment might have been published.

- Catalogue of IEC publications: [www.iec.ch/searchpub](http://www.iec.ch/searchpub)

The IEC on-line Catalogue enables you to search by a variety of criteria (reference number, text, technical committee,...). It also gives information on projects, withdrawn and replaced publications.

- IEC Just Published: [www.iec.ch/online\\_news/justpub](http://www.iec.ch/online_news/justpub)

Stay up to date on all new IEC publications. Just Published details twice a month all new publications released. Available on-line and also by email.

- Electropedia: [www.electropedia.org](http://www.electropedia.org)

The world's leading online dictionary of electronic and electrical terms containing more than 20 000 terms and definitions in English and French, with equivalent terms in additional languages. Also known as the International Electrotechnical Vocabulary online.

- Customer Service Centre: [www.iec.ch/webstore/custserv](http://www.iec.ch/webstore/custserv)

If you wish to give us your feedback on this publication or need further assistance, please visit the Customer Service Centre FAQ or contact us:

Email: [csc@iec.ch](mailto:csc@iec.ch)  
Tel.: +41 22 919 02 11  
Fax: +41 22 919 03 00

### A propos de la CEI

La Commission Electrotechnique Internationale (CEI) est la première organisation mondiale qui élabore et publie des normes internationales pour tout ce qui a trait à l'électricité, à l'électronique et aux technologies apparentées.

### A propos des publications CEI

Le contenu technique des publications de la CEI est constamment revu. Veuillez vous assurer que vous possédez l'édition la plus récente, un corrigendum ou amendement peut avoir été publié.

- Catalogue des publications de la CEI: [www.iec.ch/searchpub/cur\\_fut-f.htm](http://www.iec.ch/searchpub/cur_fut-f.htm)

Le Catalogue en-ligne de la CEI vous permet d'effectuer des recherches en utilisant différents critères (numéro de référence, texte, comité d'études,...). Il donne aussi des informations sur les projets et les publications retirées ou remplacées.

- Just Published CEI: [www.iec.ch/online\\_news/justpub](http://www.iec.ch/online_news/justpub)

Restez informé sur les nouvelles publications de la CEI. Just Published détaille deux fois par mois les nouvelles publications parues. Disponible en-ligne et aussi par email.

- Electropedia: [www.electropedia.org](http://www.electropedia.org)

Le premier dictionnaire en ligne au monde de termes électroniques et électriques. Il contient plus de 20 000 termes et définitions en anglais et en français, ainsi que les termes équivalents dans les langues additionnelles. Egalement appelé Vocabulaire Electrotechnique International en ligne.

- Service Clients: [www.iec.ch/webstore/custserv/custserv\\_entry-f.htm](http://www.iec.ch/webstore/custserv/custserv_entry-f.htm)

Si vous désirez nous donner des commentaires sur cette publication ou si vous avez des questions, visitez le FAQ du Service clients ou contactez-nous:

Email: [csc@iec.ch](mailto:csc@iec.ch)  
Tél.: +41 22 919 02 11  
Fax: +41 22 919 03 00



IEC 61000-4-17

Edition 1.2 2009-01

# INTERNATIONAL STANDARD

# NORME INTERNATIONALE

BASIC EMC PUBLICATION  
PUBLICATION FONDAMENTALE EN CEM

**Electromagnetic compatibility (EMC) –  
Part 4-17: Testing and measurement techniques – Ripple on d.c. input power  
port immunity test**

**Compatibilité électromagnétique (CEM) –  
Partie 4-17: Techniques d'essai et de mesure – Essai d'immunité à l'ondulation  
résiduelle sur entrée de puissance à courant continu**

INTERNATIONAL  
ELECTROTECHNICAL  
COMMISSION

COMMISSION  
ELECTROTECHNIQUE  
INTERNATIONALE

PRICE CODE  
CODE PRIX



ICS 33.100.20

ISBN 2-8318-1024-6

## CONTENTS

FOREWORD.....	3
INTRODUCTION.....	5
1 Scope.....	6
2 Normative references.....	7
3 General.....	7
4 Definitions.....	7
5 Test levels and waveform.....	8
6 Test generator.....	9
6.1 Characteristics and performance of the generator.....	9
6.2 Verification of the characteristics of the generator.....	9
7 Test set-up.....	10
8 Test procedure.....	10
8.1 Laboratory reference conditions.....	10
8.1.1 Climatic conditions.....	10
8.1.2 Electromagnetic conditions.....	10
8.2 Execution of the test.....	10
9 Evaluation of test results.....	11
10 Test report.....	12
Annex A (informative) Information on the phenomenon.....	14
Figure 1 – Examples of ripple voltage waveforms.....	13
Figure A.1 – Example of generator based on a rectifier system.....	15
Figure A.2 – Example of generator based on programmable instrumentation.....	15
Table 1 – Test levels.....	8

## INTERNATIONAL ELECTROTECHNICAL COMMISSION

### ELECTROMAGNETIC COMPATIBILITY (EMC) –

#### Part 4-17: Testing and measurement techniques – Ripple on d.c. input power port immunity test

### FOREWORD

- 1) The International Electrotechnical Commission (IEC) is a worldwide organization for standardization comprising all national electrotechnical committees (IEC National Committees). The object of IEC is to promote international co-operation on all questions concerning standardization in the electrical and electronic fields. To this end and in addition to other activities, IEC publishes International Standards, Technical Specifications, Technical Reports, Publicly Available Specifications (PAS) and Guides (hereafter referred to as "IEC Publication(s)"). Their preparation is entrusted to technical committees; any IEC National Committee interested in the subject dealt with may participate in this preparatory work. International, governmental and non-governmental organizations liaising with the IEC also participate in this preparation. IEC collaborates closely with the International Organization for Standardization (ISO) in accordance with conditions determined by agreement between the two organizations.
- 2) The formal decisions or agreements of IEC on technical matters express, as nearly as possible, an international consensus of opinion on the relevant subjects since each technical committee has representation from all interested IEC National Committees.
- 3) IEC Publications have the form of recommendations for international use and are accepted by IEC National Committees in that sense. While all reasonable efforts are made to ensure that the technical content of IEC Publications is accurate, IEC cannot be held responsible for the way in which they are used or for any misinterpretation by any end user.
- 4) In order to promote international uniformity, IEC National Committees undertake to apply IEC Publications transparently to the maximum extent possible in their national and regional publications. Any divergence between any IEC Publication and the corresponding national or regional publication shall be clearly indicated in the latter.
- 5) IEC provides no marking procedure to indicate its approval and cannot be rendered responsible for any equipment declared to be in conformity with an IEC Publication.
- 6) All users should ensure that they have the latest edition of this publication.
- 7) No liability shall attach to IEC or its directors, employees, servants or agents including individual experts and members of its technical committees and IEC National Committees for any personal injury, property damage or other damage of any nature whatsoever, whether direct or indirect, or for costs (including legal fees) and expenses arising out of the publication, use of, or reliance upon, this IEC Publication or any other IEC Publications.
- 8) Attention is drawn to the Normative references cited in this publication. Use of the referenced publications is indispensable for the correct application of this publication.
- 9) Attention is drawn to the possibility that some of the elements of this IEC Publication may be the subject of patent rights. IEC shall not be held responsible for identifying any or all such patent rights.

International Standard IEC 61000-4-17 has been prepared by subcommittee 77A: Low-frequency phenomena, of IEC technical committee 77: Electromagnetic compatibility.

It forms part 4-17 of IEC 61000. It has the status of a basic EMC publication in accordance with IEC Guide 107.

This consolidated version of IEC 61000-4-17 consists of the first edition (1999) [documents 77A/271/FDIS and 77A/280/RVD], its amendment 1 (2001) [documents 77B/291+293/FDIS and 77B/298+300/RVD] and its amendment 2 (2008) [documents 77A/632/CDV and 77A/652/RVC].

The technical content is therefore identical to the base edition and its amendments and has been prepared for user convenience.

It bears the edition number 1.2.

A vertical line in the margin shows where the base publication has been modified by amendments 1 and 2.

Annex A is for information only.

The committee has decided that the contents of the base publication and its amendments will remain unchanged until the maintenance result date indicated on the IEC web site under "<http://webstore.iec.ch>" in the data related to the specific publication. At this date, the publication will be

- reconfirmed,
- withdrawn,
- replaced by a revised edition, or
- amended.

## INTRODUCTION

This standard is part of the IEC 61000 series, according to the following structure:

### Part 1: General

- General considerations (introduction, fundamental principles)
- Definitions, terminology

### Part 2: Environment

- Description of the environment
- Classification of the environment
- Compatibility levels

### Part 3: Limits

- Emission limits
- Immunity limits (in so far as they do not fall under the responsibility of the product committees)

### Part 4: Testing and measurement techniques

- Measurement techniques
- Testing techniques

### Part 5: Installation and mitigation guidelines

- Installation guidelines
- Mitigation methods and devices

### Part 6: Generic standards

### Part 9: Miscellaneous

Each part is further subdivided into several parts, published either as International Standards or technical reports, some of which have already been published as sections. Others will be published with the part number followed by a dash and a second number identifying the subdivision.

This part is an International Standard which gives test procedures related to ripple on d.c. input power port.

## **ELECTROMAGNETIC COMPATIBILITY (EMC) –**

### **Part 4-17: Testing and measurement techniques – Ripple on d.c. input power port immunity test**

#### **1 Scope**

This part of IEC 61000 defines test methods for immunity to ripple at the d.c. input power port of electrical or electronic equipment.

This standard is applicable to low-voltage d.c. power ports of equipment supplied by external rectifier systems, or batteries which are being charged.

The object of this standard is to establish a common and reproducible basis for testing, in a laboratory, electrical and electronic equipment when subjected to ripple voltages such as those generated by rectifier systems and/or auxiliary service battery chargers overlaying on d.c. power supply sources.

This standard defines

- test voltage waveform;
- range of test levels;
- test generator;
- test set-up;
- test procedure.

The test described hereafter applies to electrical or electronic equipment and systems. It also applies to modules or subsystems whenever the equipment under test (EUT) rated power is greater than the test generator capacity specified in clause 6.

This test does not apply to equipment connected to battery charger systems incorporating switch mode converters.

This standard does not specify the tests to be applied to particular apparatus or systems. Its main aim is to give a general basic reference to IEC product committees. These product committees (or users or manufacturers of equipment) remain responsible for the appropriate choice of the test and the severity level to be applied to their equipment.

Dedicated test procedures are in use for testing specific categories of electrical or electronic equipment, e.g. equipment connected to d.c. supply network of telephone switching centres; the related product committees should evaluate the relevance and applicability of the test procedure specified in this basic standard.



## 2 Normative references

The following referenced documents are indispensable for the application of this document. For dated references, only the edition cited applies. For undated references, the latest edition of the referenced document (including any amendments) applies.

IEC 60050(161), *International Electrotechnical Vocabulary (IEV) – Chapter 161: Electromagnetic compatibility*

IEC 60068-1, *Environmental testing – Part 1: General and guidance*

## 3 General

Ripple may influence the reliable operation of equipment and systems, powered by d.c. supplies, installed in industrial plants as well in residential and commercial installations.

The ripple disturbance is represented by the voltage derived from a pulsating quantity from which the direct component has been removed.

The main sources of ripple disturbance are rectifier systems used in the external d.c. power networks and battery chargers.

Ripple is therefore a phenomenon continuously present in this type of d.c. power source, and may be accentuated when the battery is recharging after a recovery of the a.c. power line service.

Ripple components may also be produced by equipment absorbing a pulsating current; this is not covered in this standard.

## 4 Definitions

For the purpose of this part of IEC 61000 the following definitions apply, together with the definitions of IEC 60050(161) [IEV].

### 4.1

#### **ripple content, alternating component**

quantity derived by removing the direct component from a pulsating quantity (see figure 1), [IEV 161-02-25]

### 4.2

#### **EUT**

equipment under test

## 5 Test levels and waveform

The preferred range of test levels, applicable to the d.c. power supply port of the equipment, are given in table 1.

**Table 1 – Test levels**

Level	Percentage of the nominal d.c. voltage
1	2
2	5
3	10
4	15
x	x

NOTE "x" is an open level. This level can be given in the product specification. For the duration of the test, see 8.2.

The test levels are a peak-to-peak voltage expressed as a percentage of the nominal d.c. voltage  $U_{d.c.}$ .

The amplitude of the ripple voltage is represented in figure 1 by the difference  $U_{max} - U_{min}$ .

The frequency of the ripple is the power frequency or its multiple 2, 3 or 6, as specified by a product committee or according to the EUT manufacturer's specifications or according to the characteristics of the rectifier system (see also clause A.2).

The waveform of the ripple voltage, at the output of the test generator, has a sinusoid-linear character.

A sinusoidal-linear characteristic can be described as a part of a sine wave and a line, tangent to the decreasing side of the rectified wave, that intersects the rising edge of the following half-wave; the voltage difference between the peak value of the sine wave and the point of intersection to the following half-wave is the ripple voltage (see figure 1). The decreasing voltage can be assumed as a linear function in the presence of constant current loads. The voltage deviation, in the case of a constant resistor or constant power load, is very small and can be considered acceptable for the purpose of the test.

Deviations from the defined waveform, due to the impedance of the EUT, are allowed during the test. However, care should be taken in order to assess that the deviation from the original waveform is not caused by limitation of the generator. Furthermore, the peak-to-peak value and the frequency of ripple shall be maintained by adjustment in order to maintain the severity of the test.

The graphical representation of the waveform obtained from a single-phase bridge and a three-phase bridge rectifier is shown in figure 1; the difference  $U_{max} - U_{min}$  is the percentage of the nominal d.c. voltage and corresponds to the selected test level.

NOTE Information on the phenomenon and on the selection of the test level is given in annex A, clauses A.1 and A.2.

## 6 Test generator

### 6.1 Characteristics and performance of the generator

The test generator shall be able to operate in continuous mode with the following main specifications:

- output voltage range: up to 360 V;
- output voltage change with load: less than 5 %;  
(0 to rated current)
- output voltage waveform: alternating component at power frequency or its multiple, with a sinusoid-linear character, superimposed on the d.c. voltage
- output voltage tolerance:  $\pm 10\%$
- output current (steady state): up to 25 A;
- peak output current capability:  $+2,5/-0,5$  times the steady-state current;  
(maximum allowable duration 5 ms)
- ripple frequency tolerance:  $\pm 1\%$ .

NOTE The 360 V output voltage value covers the test condition of a 300 V d.c. supply voltage plus a 15 % ripple corresponding to test level 4.

The use of a generator with higher or lower voltage/current capability is allowed provided that the other specifications (waveform, change with load, peak output current/steady-state current ratio, etc.) are preserved. The test generator output power/current capability shall be at least 20 % greater than the EUT power/current ratings.

The generator must be able to produce positive and negative peak current with positive voltage output.

Examples of generators can be found in clause A.3.

Figure A.1 shows a schematic diagram of a generator based on a rectifier system; figure A.2 shows a schematic diagram of a generator based on a programmable power supply with controller.

### 6.2 Verification of the characteristics of the generator

In order to compare the test results the following characteristics of the generator shall be verified:

- the sinusoid-linear character of the ripple signal shall be maintained at maximum output voltage, with the output connected to a resistive load of 60  $\Omega$ ;
- the sinusoid-linear character of the ripple signal shall be maintained at maximum current (25 A), with the output connected to a resistive load (e.g. 2,4  $\Omega$  at output voltage of 60 V);
- the ripple frequency;
- the peak output current shall meet the requirements of 6.1, when switching the generator output from 0 V to 60 V and driving an uncharged capacitor whose value is at least 1 700  $\mu\text{F}$ .

The verification of a generator with voltage/current capability less than specified in 6.1 shall be made with load conditions reflecting the rated voltage and current.

The measurement uncertainty of the instrumentation (e.g. low-frequency oscilloscope, d.c. voltmeter and a.c. peak-to-peak voltmeter) shall be less than or equal to 2 %.

## 7 Test set-up

The test shall be performed with the EUT connected to the test generator with the shortest power supply cable as specified by the manufacturer. If no cable length is specified, it shall be the shortest practical length suitable for the connection of the EUT.

## 8 Test procedure

The test procedure shall include the following:

- verification of the laboratory reference conditions;
- preliminary verification of the correct operation of the equipment;
- execution of the test;
- evaluation of the test results.

### 8.1 Laboratory reference conditions

In order to minimize the impact of environmental parameters on test results, the tests shall be performed in climatic and electromagnetic reference conditions as specified in 8.1.1 and 8.1.2.

#### 8.1.1 Climatic conditions

Unless otherwise specified by the committee responsible for the generic or product standard, the climatic conditions in the laboratory shall be within any limits specified for the operation of the EUT and the test equipment by their respective manufacturers.

Tests shall not be performed if the relative humidity is so high as to cause condensation on the EUT or the test equipment.

NOTE Where it is considered that there is sufficient evidence to demonstrate that the effects of the phenomenon covered by this standard are influenced by climatic conditions, this should be brought to the attention of the committee responsible for this standard.

#### 8.1.2 Electromagnetic conditions

The electromagnetic conditions of the laboratory shall be such as to guarantee the correct operation of the EUT in order not to influence the test results.

### 8.2 Execution of the test

The EUT shall be configured for its normal operating conditions. The test shall be performed according to a test plan that shall specify:

- test level;
- duration of the test;
- representative operating conditions of the EUT;
- auxiliary equipment.

The power supply, signal and other functional electrical quantities shall be applied within their rated range. Signal and other functional electrical quantities may be simulated.

It is recommended that a preliminary verification of the EUT's performance be made on the complete test set-up before applying the test voltage.

The test voltage, corresponding to the selected level, shall be applied to the d.c. port of the EUT; the values of the d.c. voltage and the ripple content (peak to peak) shall be measured at the terminals of the EUT and adjusted in order to maintain the selected test level. The measurement uncertainty of the instrumentation shall be better than 2 %.

The average value  $U_{d.c.}$  of the waveform, resulting from the d.c. voltage with the superimposed ripple content, shall numerically be equal to the rated voltage of the EUT (see figure 1).

The test shall then be repeated with  $U_{d.c.}$  at the lower value of the voltage range.

Additional test voltages (e.g. the higher value of the voltage range) may be defined by product committees.

NOTE The test at the lower value of the voltage range generally covers the most severe conditions.

The test voltage shall be applied for at least 10 min or for the period of time necessary to allow a complete verification of the EUT's operating performance.

The waveform of the ripple voltage shall be recorded and included in the test report.

## 9 Evaluation of test results

The test results shall be classified in terms of the loss of function or degradation of performance of the equipment under test, relative to a performance level defined by its manufacturer or the requestor of the test, or agreed between the manufacturer and the purchaser of the product. The recommended classification is as follows:

- a) normal performance within limits specified by the manufacturer, requestor or purchaser;
- b) temporary loss of function or degradation of performance which ceases after the disturbance ceases, and from which the equipment under test recovers its normal performance, without operator intervention;
- c) temporary loss of function or degradation of performance, the correction of which requires operator intervention;
- d) loss of function or degradation of performance which is not recoverable, owing to damage to hardware or software, or loss of data.

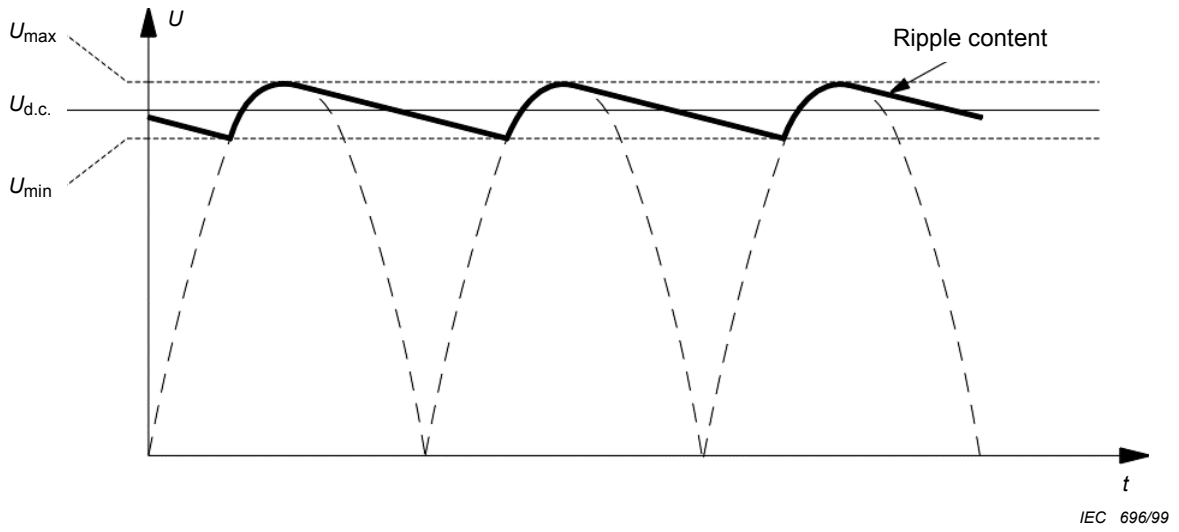
The manufacturer's specification may define effects on the EUT which may be considered insignificant, and therefore acceptable.

This classification may be used as a guide in formulating performance criteria, by committees responsible for generic, product and product-family standards, or as a framework for the agreement on performance criteria between the manufacturer and the purchaser, for example where no suitable generic, product or product-family standard exists.

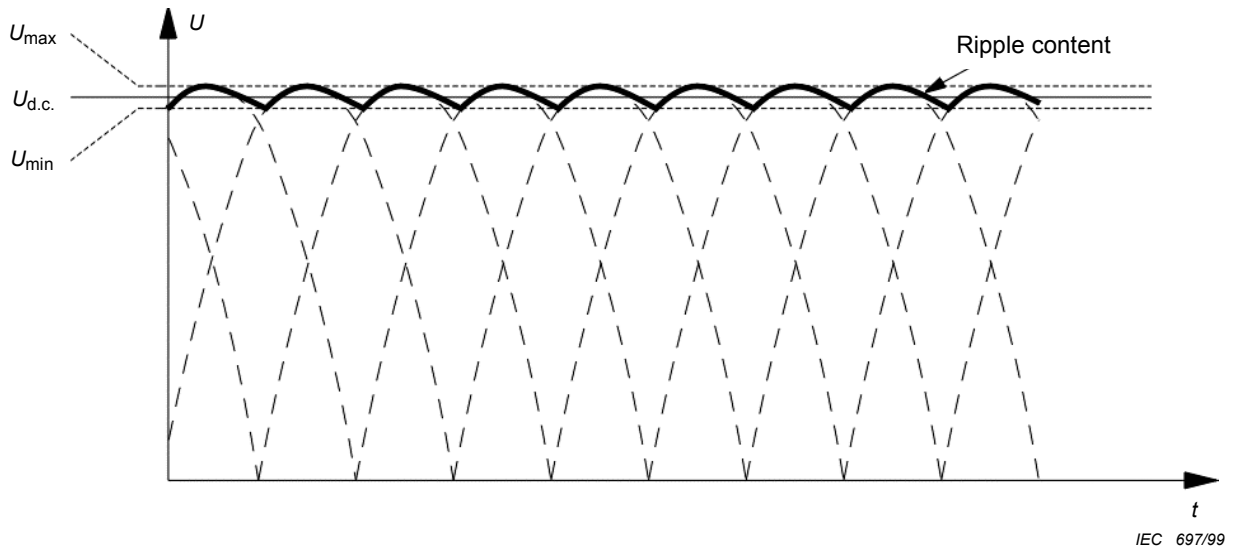
## 10 Test report

The test report shall contain all the information necessary to reproduce the test. In particular, the following shall be recorded:

- the items specified in the test plan required by clause 8 of this standard;
- identification of the EUT and any associated equipment, for example, brand name, product type, serial number;
- identification of the test equipment, for example, brand name, product type, serial number;
- any special environmental conditions in which the test was performed, for example, shielded enclosure;
- any specific conditions necessary to enable the test to be performed;
- performance level defined by the manufacturer, requestor or purchaser;
- performance criterion specified in the generic, product or product-family standard;
- any effects on the EUT observed during or after the application of the test disturbance, and the duration for which these effects persist;
- the rationale for the pass/fail decision (based on the performance criterion specified in the generic, product or product-family standard, or agreed between the manufacturer and the purchaser);
- any specific conditions of use, for example cable length or type, shielding or grounding, or EUT operating conditions, which are required to achieve compliance.



a) Single-phase rectifier



b) Three-phase rectifier

**Figure 1 – Examples of ripple voltage waveforms**

## **Annex A** (informative)

### **Information on the phenomenon**

#### **A.1 Description of the phenomenon**

The main source of this disturbance is alternating voltage components generated by battery chargers during their operation, superimposed on the d.c. voltage of distribution systems.

Battery chargers can use different methods of rectification; the most common solutions are based on a single-phase bridge, three-phase half-wave, a three-phase bridge and six-phase star.

The particular characteristics of the rectifier circuit considered, at the design level, are

- the ratio between the r.m.s. input voltage and d.c. output voltage;
- the d.c. current for the rectifier unit;
- the amplitude and the frequency of the alternative component superimposed on the d.c. voltage (ripple).

The amplitude of the ripple is related to the number of the rectifier units. An increase in the number of units produces a decrease of the ripple voltage and an increase in the ripple frequency.

The typical waveform of the ripple voltage, in case of linear loads and capacitive filters, is shown in figure 1. Non-linear loads (e.g. a d.c./d.c. converter unit) may exhibit different behaviour.

In this latter condition, if the converter is powered with a source affected by high ripple voltages, a negative current, flowing from the load to the source, can be expected.

#### **A.2 Selection of the test level**

The selection of the test level should take into account the characteristics of the rectifier system and/or the possible operating conditions during the life cycle of the battery (normal life, wear-out period).

The test levels listed in table 1 are not frequency dependent; however, the lower levels are generally representative of rectifier systems with a high number of rectifier units and consequently high-frequency ripples.

As an example, six-star rectifier systems can produce 14 % ripple on a purely resistive load; when connected to battery systems, the ripple will be substantially lower.

If the type of rectifier and the related operating conditions are not known, the test level selected should include an appropriate margin for error.

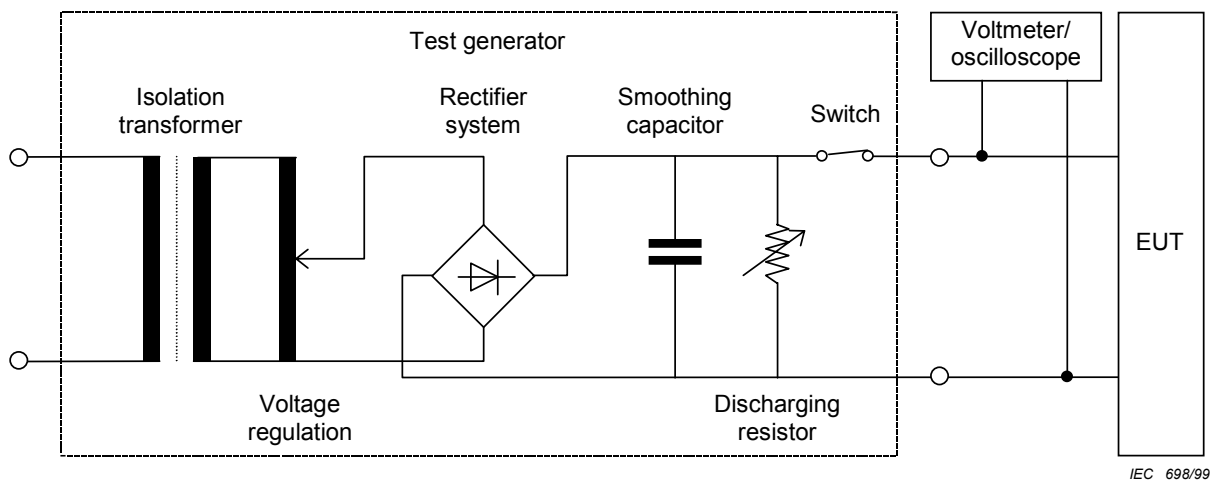


### A.3 Information on the generator

The generation of the ripple voltage can be achieved in different ways. Two simplified diagrams for such solutions are given as examples.

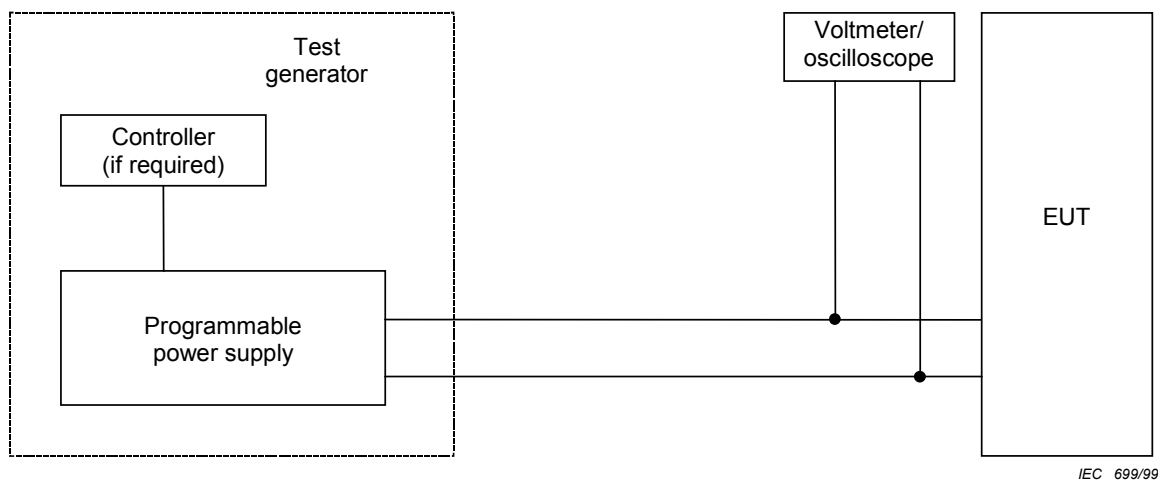
The simplest one, represented in figure A.1, is with an a.c. voltage regulator, a rectifier system with smoothing capacitor and a discharging resistor. The output circuit is provided with a switch to be used during the verification of the peak output current capability.

The rectifier system should be selected to fit the ripple frequency required for the test.



**Figure A.1 – Example of generator based on a rectifier system**

The second example, represented in figure A.2, includes a programmable power supply, with a controller, which can produce a positive voltage and a positive and negative output current.



**Figure A.2 – Example of generator based on programmable instrumentation**

## SOMMAIRE

AVANT-PROPOS .....	17
INTRODUCTION .....	19
1 Domaine d'application .....	20
2 Références normatives .....	21
3 Généralités .....	21
4 Définitions .....	21
5 Niveaux d'essai et forme d'onde .....	22
6 Générateur d'essai .....	23
6.1 Caractéristiques et performances du générateur .....	23
6.2 Vérification des caractéristiques du générateur .....	23
7 Installation d'essai .....	24
8 Procédure d'essai .....	24
8.1 Conditions de référence en laboratoire .....	24
8.1.1 Conditions climatiques .....	24
8.1.2 Conditions électromagnétiques .....	24
8.2 Exécution de l'essai .....	24
9 Evaluation des résultats d'essai .....	25
10 Rapport d'essai .....	26
Annexe A (informative) Informations sur le phénomène .....	28
Figure 1 – Exemples de formes d'onde de tension d'ondulation résiduelle .....	27
Figure A.1 – Exemple de générateur basé sur un système redresseur .....	29
Figure A.2 – Exemple de générateur basé sur une instrumentation programmable .....	29
Tableau 1 – Niveaux d'essai .....	22

## COMMISSION ÉLECTROTECHNIQUE INTERNATIONALE

### COMPATIBILITÉ ÉLECTROMAGNÉTIQUE (CEM) –

#### Partie 4-17: Techniques d'essai et de mesure – Essai d'immunité à l'ondulation résiduelle sur entrée de puissance à courant continu

##### AVANT-PROPOS

- 1) La Commission Electrotechnique Internationale (CEI) est une organisation mondiale de normalisation composée de l'ensemble des comités électrotechniques nationaux (Comités nationaux de la CEI). La CEI a pour objet de favoriser la coopération internationale pour toutes les questions de normalisation dans les domaines de l'électricité et de l'électronique. A cet effet, la CEI – entre autres activités – publie des Normes internationales, des Spécifications techniques, des Rapports techniques, des Spécifications accessibles au public (PAS) et des Guides (ci-après dénommés "Publication(s) de la CEI"). Leur élaboration est confiée à des comités d'études, aux travaux desquels tout Comité national intéressé par le sujet traité peut participer. Les organisations internationales, gouvernementales et non gouvernementales, en liaison avec la CEI, participent également aux travaux. La CEI collabore étroitement avec l'Organisation Internationale de Normalisation (ISO), selon des conditions fixées par accord entre les deux organisations.
- 2) Les décisions ou accords officiels de la CEI concernant les questions techniques représentent, dans la mesure du possible, un accord international sur les sujets étudiés, étant donné que les Comités nationaux de la CEI intéressés sont représentés dans chaque comité d'études.
- 3) Les Publications de la CEI se présentent sous la forme de recommandations internationales et sont agréées comme telles par les Comités nationaux de la CEI. Tous les efforts raisonnables sont entrepris afin que la CEI s'assure de l'exactitude du contenu technique de ses publications; la CEI ne peut pas être tenue responsable de l'éventuelle mauvaise utilisation ou interprétation qui en est faite par un quelconque utilisateur final.
- 4) Dans le but d'encourager l'uniformité internationale, les Comités nationaux de la CEI s'engagent, dans toute la mesure possible, à appliquer de façon transparente les Publications de la CEI dans leurs publications nationales et régionales. Toutes divergences entre toutes Publications de la CEI et toutes publications nationales ou régionales correspondantes doivent être indiquées en termes clairs dans ces dernières.
- 5) La CEI n'a prévu aucune procédure de marquage valant indication d'approbation et n'engage pas sa responsabilité pour les équipements déclarés conformes à une de ses Publications.
- 6) Tous les utilisateurs doivent s'assurer qu'ils sont en possession de la dernière édition de cette publication.
- 7) Aucune responsabilité ne doit être imputée à la CEI, à ses administrateurs, employés, auxiliaires ou mandataires, y compris ses experts particuliers et les membres de ses comités d'études et des Comités nationaux de la CEI, pour tout préjudice causé en cas de dommages corporels et matériels, ou de tout autre dommage de quelque nature que ce soit, directe ou indirecte, ou pour supporter les coûts (y compris les frais de justice) et les dépenses découlant de la publication ou de l'utilisation de cette Publication de la CEI ou de toute autre Publication de la CEI, ou au crédit qui lui est accordé.
- 8) L'attention est attirée sur les références normatives citées dans cette publication. L'utilisation de publications référencées est obligatoire pour une application correcte de la présente publication.
- 9) L'attention est attirée sur le fait que certains des éléments de la présente Publication de la CEI peuvent faire l'objet de droits de propriété intellectuelle ou de droits analogues. La CEI ne saurait être tenue pour responsable de ne pas avoir identifié de tels droits de propriété et de ne pas avoir signalé leur existence.

La Norme internationale CEI 61000-4-17 a été établie par le sous-comité 77A: Phénomènes basse fréquence, du comité d'études 77 de la CEI: Compatibilité électromagnétique.

Elle constitue la partie 4-17 de la CEI 61000. Elle a le statut de publication fondamentale en CEM conformément au Guide 107 de la CEI.

La présente version consolidée de la CEI 61000-4-17 comprend la première édition (1999) [documents 77A/271/FDIS et 77A/280/RVD], son amendement 1 (2001) [documents 77B/291+293/FDIS et 77B/298+300/RVD] et son amendement 2 (2008) [documents 77A/632/CDV et 77A/652/RVC].

Le contenu technique de cette version consolidée est donc identique à celui de l'édition de base et à ses amendements; cette version a été préparée par commodité pour l'utilisateur.

Elle porte le numéro d'édition 1.2.

Une ligne verticale dans la marge indique où la publication de base a été modifiée par les amendements 1 et 2.

L'annexe A est donnée uniquement à titre d'information.

Le comité a décidé que le contenu de la publication de base et de ses amendements ne sera pas modifié avant la date de maintenance indiquée sur le site web de la CEI sous "<http://webstore.iec.ch>" dans les données relatives à la publication recherchée. A cette date, la publication sera

- reconduite,
- supprimée,
- remplacée par une édition révisée, ou
- amendée.

## INTRODUCTION

La présente norme fait partie de la série CEI 61000, structurée comme suit:

### Partie 1: Généralités

- Considérations générales (introduction, principes fondamentaux)
- Définitions, terminologie

### Partie 2: Environnement

- Description de l'environnement
- Classification de l'environnement
- Niveaux de compatibilité

### Partie 3: Limites

- Limites d'émission
- Limites d'immunité (dans la mesure où elles ne relèvent pas des comités de produits)

### Partie 4: Techniques d'essai et de mesure

- Techniques de mesure
- Techniques d'essai

### Partie 5: Guide d'installation et d'atténuation

- Guide d'installation
- Méthodes et dispositifs d'atténuation

### Partie 6: Normes génériques

### Partie 9: Divers

Chaque partie est à son tour subdivisée en plusieurs parties publiées soit comme Normes internationales, soit comme rapports techniques, dont certaines ont déjà été publiées en tant que sections. D'autres seront publiées avec le numéro de la partie suivi d'un tiret et d'un second chiffre identifiant la subdivision.

Cette partie est une Norme internationale qui donne des procédures d'essai concernant l'ondulation résiduelle sur entrée à courant continu.

## Compatibilité électromagnétique (CEM) –

### Partie 4-17: Techniques d'essai et de mesure – Essai d'immunité à l'ondulation résiduelle sur entrée de puissance à courant continu

#### 1 Domaine d'application

La présente partie de la CEI 61000 définit les méthodes d'essai d'immunité aux ondulations résiduelles appliquées à l'entrée de l'alimentation à courant continu des matériels électriques ou électroniques.

La présente norme s'applique aux entrées de puissance à courant continu basse tension des matériels alimentés par des systèmes redresseurs externes ou par des batteries qui sont en charge.

L'objet de la présente norme est d'établir une base commune et reproductible pour les essais afin d'évaluer en laboratoire la performance des matériels électriques et électroniques lorsqu'ils sont soumis à des tensions d'ondulation résiduelle, comme par exemple celles qui sont produites par les systèmes redresseurs et/ou les chargeurs de batteries auxiliaires superposés à des sources d'alimentation à courant continu.

La présente norme définit

- la forme d'onde de la tension d'essai;
- une gamme de niveaux d'essai;
- le générateur d'essai;
- l'installation d'essai;
- la procédure d'essai.

L'essai décrit ci-après s'applique aux matériels et systèmes électriques ou électroniques. Il s'applique également aux modules ou aux sous-systèmes lorsque la puissance assignée de l'équipement sous test (EST) est supérieure à la capacité du générateur d'essai spécifiée à l'article 6.

Le présent essai ne s'applique pas aux matériels reliés aux systèmes de chargeurs de batterie comprenant des convertisseurs à découpage.

La présente norme ne précise pas les essais à effectuer sur des appareils ou systèmes particuliers. Son objectif principal est de fournir une référence générale de base à tous les comités de produits concernés au sein de la CEI. Ces comités de produits (ou les utilisateurs ou les fabricants de matériels) restent responsables du choix approprié de l'essai et du niveau de sévérité à appliquer à leurs matériels.

Des procédures d'essai dédiées sont utilisées pour soumettre à essai des catégories spécifiques de matériels électriques ou électroniques, par exemple le matériel connecté au réseau d'alimentation en courant continu de centres de commutation téléphoniques; il convient que les comités de produits correspondants évaluent la pertinence et l'applicabilité de la procédure d'essai spécifiée dans la présente norme fondamentale.

## 2 Références normatives

Les documents de référence suivants sont indispensables pour l'application du présent document. Pour les références datées, seule l'édition citée s'applique. Pour les références non datées, la dernière édition du document de référence s'applique (y compris les éventuels amendements).

CEI 60050(161), *Vocabulaire Electrotechnique International (VEI) – Chapitre 161: Compatibilité électromagnétique*

CEI 60068-1, *Essais d'environnement – Première partie: Généralités et guide*

## 3 Généralités

L'ondulation résiduelle peut influencer sur la fiabilité du fonctionnement des matériels et des systèmes, alimentés en courant continu, et installés dans des installations industrielles, résidentielles ou commerciales.

La perturbation par ondulation résiduelle est représentée par la tension dérivée d'une grandeur impulsionnelle de laquelle la composante directe a été retirée.

Les principales sources de perturbation par ondulation résiduelle sont les systèmes redresseurs utilisés dans les réseaux de puissance externes à courant continu et les chargeurs de batteries.

L'ondulation résiduelle est par conséquent un phénomène présent en permanence dans ce type de source de puissance à courant continu, et elle peut s'accroître lors du rechargement de la batterie pendant le rétablissement du service de la ligne de courant alternatif.

Les composantes de l'ondulation résiduelle peuvent aussi être produites par des matériels absorbant un courant impulsionnel, mais ces composantes ne sont pas du domaine de la présente norme.

## 4 Définitions

Pour les besoins de la présente partie de la CEI 61000, les définitions suivantes s'appliquent, ainsi que celles de la CEI 60050(161) [VEI].

### 4.1

#### **ondulation, composante alternative**

grandeur obtenue en retranchant d'une grandeur pulsatoire sa composante continue (voir figure 1) [VEI 161-02-25]

### 4.2

#### **EST**

matériel en essai

## 5 Niveaux d'essai et forme d'onde

La plage recommandée pour les niveaux d'essai, applicables à l'entrée de puissance à courant continu des matériels, est indiquée au tableau 1.

**Tableau 1 – Niveaux d'essai**

Niveau	Pourcentage de la tension continue nominale
1	2
2	5
3	10
4	15
x	x

NOTE «x» est un niveau ouvert. Ce niveau peut être indiqué dans la spécification de produit. Pour la durée de l'essai, voir 8.2.

Les niveaux d'essai sont une tension crête-crête exprimée comme un pourcentage de la tension nominale en courant continu  $U_{c.c.}$ .

L'amplitude de la tension d'ondulation résiduelle est représentée à la figure 1 par la différence  $U_{max} - U_{min}$ .

La fréquence de l'ondulation résiduelle est la fréquence du secteur, ou son multiple 2, 3 ou 6, qui est soit spécifiée par un comité de produits, soit indiquée dans les spécifications du fabricant du matériel en essai, soit conforme aux caractéristiques du système redresseur (voir également l'article A.2).

La forme de l'onde de la tension d'ondulation résiduelle, à la sortie du générateur d'essai, a un caractère sinusoïdal-linéaire.

Une forme avec un caractère sinusoïdal-linéaire peut être décrite simplement comme une partie d'une onde sinusoïdale et une ligne, tangente au côté décroissant de l'onde redressée, qui coupe le bord montant de la demi-onde suivante; la différence de tension entre la valeur de crête de l'onde sinusoïdale et le point d'intersection de la demi-onde suivante est la tension d'ondulation résiduelle (voir figure 1). La partie descendante de la tension peut être considérée comme une fonction linéaire en présence de charges à courant constant. L'écart de tension, dans le cas d'une résistance constante ou d'une charge de puissance constante, est très faible et il peut être considéré comme acceptable pour cet essai.

Des écarts par rapport à la forme d'onde définie, dus à l'impédance des matériels en essai, sont admis pendant l'essai. Cependant, il convient de s'assurer que l'écart par rapport à la forme d'onde initiale n'est pas dû à des performances limitées du générateur. En outre, la valeur crête-crête et la fréquence d'ondulation résiduelle doivent être maintenues au moyen d'un réglage approprié afin de garantir la sévérité de l'essai.

Les représentations graphiques de la forme d'onde obtenue à partir d'un pont redresseur monophasé et d'un pont redresseur triphasé sont données à la figure 1; la différence  $U_{max} - U_{min}$  est le pourcentage de la tension en courant continu nominal et correspond au niveau d'essai sélectionné.

NOTE Des informations sur le phénomène et sur la sélection du niveau d'essai sont données dans l'annexe A, articles A.1 et A.2.



## 6 Générateur d'essai

### 6.1 Caractéristiques et performances du générateur

Le générateur d'essai doit pouvoir fonctionner en mode continu avec les principales spécifications suivantes:

- plage de tension de sortie: jusqu'à 360 V;
- variation de la tension de sortie: inférieur à 5 %;  
avec la charge: (0 au courant nominal)
- forme d'onde de la tension de sortie: composante alternative à la fréquence du secteur ou à un de ses multiples avec caractère sinusoïdal-linéaire, superposé à la tension continue;
- tolérance de la tension de sortie:  $\pm 10$  %;
- courant de sortie (régime permanent): jusqu'à 25 A;
- capacité de courant de sortie de crête: +2,5/–0,5 fois le courant en régime (durée maximale admise 5 ms) permanent
- écart de fréquence d'ondulation:  $\pm 1$  %.

NOTE La valeur de tension de sortie de 360 V tient compte de conditions d'essai d'une tension d'alimentation de 300 V continu plus une ondulation résiduelle de 15 % correspondant au niveau d'essai 4.

L'utilisation d'un générateur de capacités plus faibles ou plus élevées en tension/courant est admise à condition que les autres spécifications (forme d'onde, variation par la charge, rapport courant de sortie crête/courant de régime permanent, etc.) soient préservées. Le générateur d'essai maintiendra au moins une marge de 20 % par rapport aux valeurs nominales en puissance et courant du matériel en essai.

Le générateur doit pouvoir produire un courant crête positif et négatif avec une sortie de tension positive.

Des exemples de générateurs sont donnés à l'article A.3.

La figure A.1 donne une représentation schématique d'un générateur basé sur un système redresseur; la figure A.2 donne une représentation schématique d'un générateur basé sur une alimentation programmable avec contrôleur.

### 6.2 Vérification des caractéristiques du générateur

Afin de comparer les résultats de l'essai, les caractéristiques suivantes du générateur doivent être vérifiées:

- le caractère sinusoïdal-linéaire du signal d'ondulation résiduelle doit être maintenu pour une tension de sortie maximale avec la sortie connectée à une charge résistive de 60  $\Omega$ ;
- le caractère sinusoïdal-linéaire du signal d'ondulation résiduelle doit être maintenu au courant maximal (25 A), avec la sortie connectée à une charge résistive (par exemple 2,4  $\Omega$  pour une tension de sortie de 60 V);
- la fréquence d'ondulation résiduelle;
- le courant de sortie crête doit être conforme aux exigences du 6.1 lorsqu'il commute la sortie du générateur de 0 V à 60 V et qu'il attaque un condensateur non chargé dont la valeur est d'au moins 1 700  $\mu\text{F}$ .

La vérification d'un générateur avec des capacités en tension/courant inférieures à celles spécifiées en 6.1 doit se faire dans des conditions de charge qui reflètent les valeurs nominales de tension et de courant.

Les appareils de mesure (par exemple: oscilloscope à basse fréquence, voltmètre à courant continu et voltmètre crête-crête à courant alternatif) doivent avoir une précision inférieure ou égale à 2 %.

## 7 Installation d'essai

L'essai doit être effectué avec l'équipement en essai connecté au générateur d'essai au moyen du câble d'alimentation de la longueur la plus courte spécifiée par le fabricant. Si la longueur du câble n'est pas spécifiée, elle doit être aussi courte que possible permettant la connexion de l'EST.

## 8 Procédure d'essai

La procédure d'essai comprendra les éléments suivants:

- la vérification des conditions de référence du laboratoire;
- la vérification préliminaire du fonctionnement correct des matériels;
- l'exécution de l'essai;
- l'évaluation des résultats des essais.

### 8.1 Conditions de référence en laboratoire

Afin de minimiser l'impact des paramètres d'environnement sur les résultats des essais, ces derniers doivent être effectués dans des conditions climatiques et électromagnétiques de référence telles que spécifiées en 8.1.1 et 8.1.2.

#### 8.1.1 Conditions climatiques

A moins qu'il en soit spécifié autrement par le comité responsable d'une norme générique ou d'une norme de produit, les conditions climatiques dans le laboratoire doivent être dans les limites spécifiées pour le fonctionnement de l'EST et des matériels d'essai par leurs constructeurs respectifs.

Les essais ne doivent pas être réalisés si l'humidité relative est telle qu'elle cause une condensation sur l'EST ou sur les matériels d'essai.

NOTE Lorsqu'il est estimé qu'il y a une évidence suffisante pour démontrer que les effets du phénomène couverts par la présente norme sont influencés par les conditions climatiques, il convient d'en informer le comité responsable de la présente norme.

#### 8.1.2 Conditions électromagnétiques

Les conditions électromagnétiques du laboratoire doivent permettre de garantir le fonctionnement correct de l'équipement en essai de façon à ne pas avoir d'incidence sur les résultats des essais.

### 8.2 Exécution de l'essai

L'équipement en essai doit être placé dans des conditions normales de fonctionnement. L'essai doit s'effectuer sur la base d'un plan d'essai spécifiant:

- le niveau de l'essai;
- la durée de l'essai;
- les conditions de fonctionnement représentatives de l'équipement en essai;
- les matériels auxiliaires.

L'alimentation en puissance, la valeur du signal et les autres grandeurs électriques fonctionnelles doivent être appliquées dans leur plage nominale. Les signaux et autres grandeurs électriques fonctionnelles peuvent être simulés.

Il est recommandé d'effectuer une vérification préliminaire des performances de l'EST sur l'ensemble du montage d'essai avant d'appliquer la tension d'essai.

La tension d'essai, qui correspond au niveau choisi, doit être appliquée à l'entrée de courant continu de l'équipement en essai; les valeurs de la tension continue et de la tension d'ondulation résiduelle (crête-crête) doivent être mesurées aux bornes de l'entrée de la puissance de l'équipement en essai et réglées afin de maintenir le niveau d'essai sélectionné. Les appareils de mesure doivent avoir une précision inférieure à 2 %.

La valeur moyenne  $U_{c.c.}$  de la forme d'onde, résultant de la tension continue avec le taux d'ondulation résiduelle efficace superposé, doit être numériquement égale à la tension nominale de l'appareil en essai (voir figure 1).

L'essai doit être répété avec  $U_{c.c.}$  à la valeur inférieure de la plage de tension.

D'autres tensions d'essai (par exemple, la valeur supérieure de la plage de tension) peuvent être définies par les comités de produits.

NOTE L'essai à la valeur inférieure de la plage de tension couvre généralement les conditions les plus sévères de l'EST.

La tension d'essai doit être appliquée en continu pendant au moins 10 min ou pendant le laps de temps nécessaire pour vérifier le fonctionnement correct de l'équipement en essai.

La forme d'onde de la tension d'ondulation résiduelle doit être consignée et notée dans le procès-verbal des essais.

## 9 Evaluation des résultats d'essai

Les résultats d'essai doivent être classés en tenant compte de la perte de fonction ou de la dégradation du fonctionnement du matériel soumis à l'essai, par rapport à un niveau de fonctionnement défini par son constructeur ou par le demandeur de l'essai, ou en accord entre le constructeur et l'acheteur du produit. La classification recommandée est comme suit:

- a) fonctionnement normal dans les limites spécifiées par le constructeur, le demandeur de l'essai ou l'acheteur;
- b) perte temporaire de fonction ou dégradation temporaire du fonctionnement cessant après la disparition de la perturbation; le matériel soumis à l'essai retrouve alors son fonctionnement normal sans l'intervention d'un opérateur;
- c) perte temporaire de fonction ou dégradation temporaire du fonctionnement nécessitant l'intervention d'un opérateur;
- d) perte de fonction ou dégradation du fonctionnement non récupérable, due à une avarie du matériel ou du logiciel, ou à une perte de données.

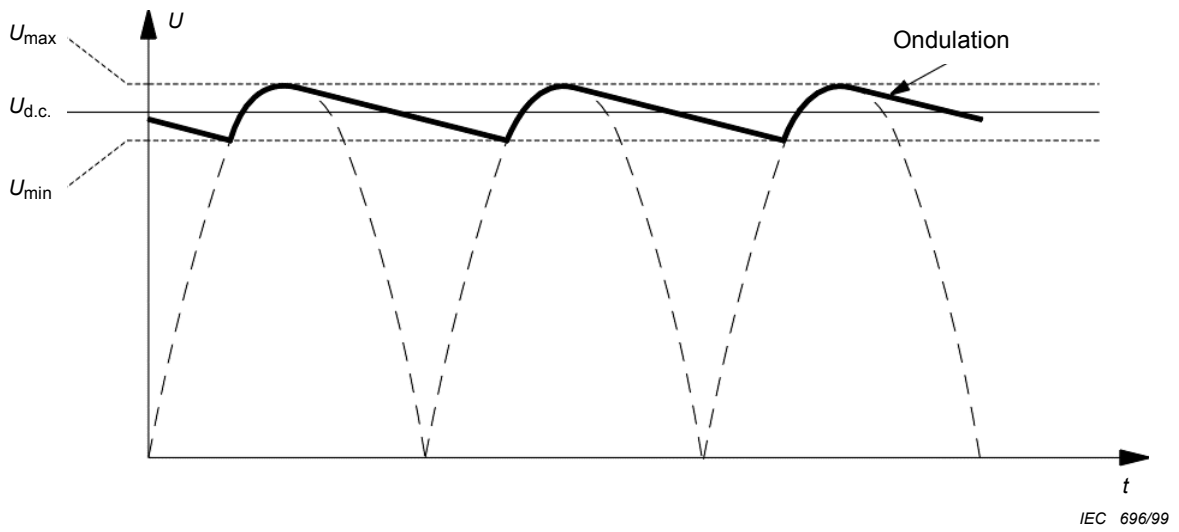
La spécification du constructeur peut définir des effets sur l'EST qui peuvent être considérés comme non significatifs et donc acceptables.

Cette classification peut être utilisée comme un guide pour l'élaboration des critères d'aptitude à la fonction, par les comités responsables pour les normes génériques, de produit ou de famille de produits, ou comme un cadre pour l'accord sur les critères d'aptitude à la fonction entre le constructeur et l'acheteur, par exemple lorsque aucune norme générique, de produit ou de famille de produits appropriée n'existe.

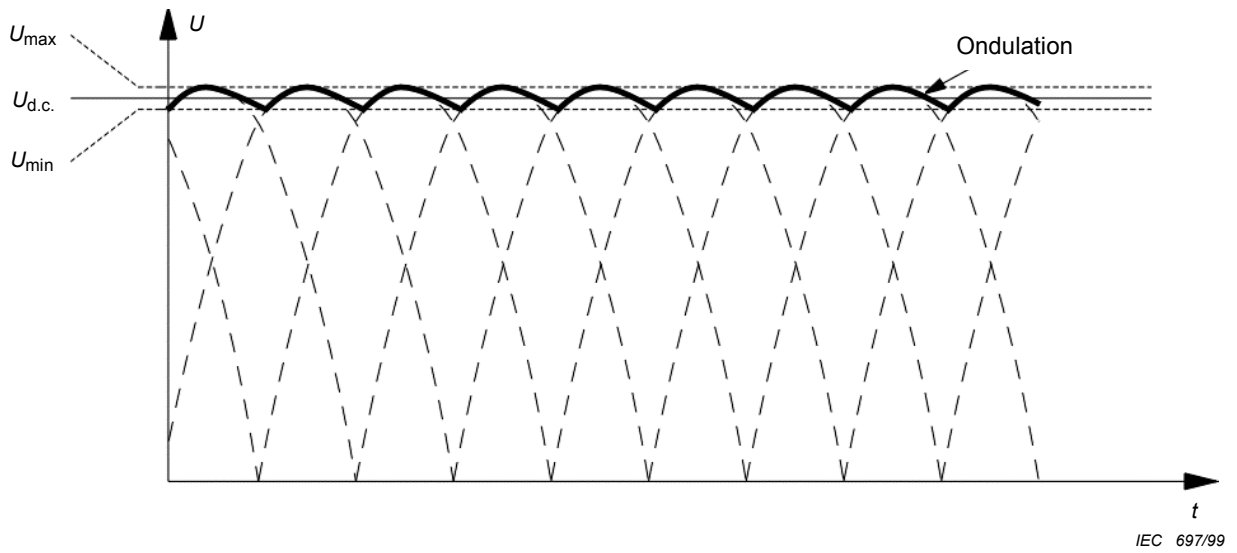
## 10 Rapport d'essai

Le rapport d'essai doit contenir toutes les informations nécessaires pour reproduire l'essai. En particulier, ce qui suit doit être noté:

- les points spécifiés dans le plan d'essai requis à l'article 8 de la présente norme;
- l'identification de l'EST et de tous les matériels associés, par exemple marque, type, numéro de série;
- l'identification des matériels d'essai, par exemple marque, type, numéro de série;
- toutes les conditions d'environnement spéciales dans lesquelles l'essai a été réalisé, par exemple enceinte blindée;
- toutes les conditions spécifiques nécessaires pour permettre la réalisation de l'essai;
- le niveau de fonctionnement défini par le constructeur, le demandeur de l'essai ou l'acheteur;
- le critère d'aptitude à la fonction spécifié dans la norme générique, de produit ou de famille de produits;
- tous les effets observés sur l'EST pendant ou après l'application de la perturbation, et la durée pendant laquelle ces effets ont persisté;
- la justification de la décision succès/échec (basée sur le critère d'aptitude à la fonction spécifié dans la norme générique, de produit ou de famille de produits, ou dans l'accord entre le constructeur et l'acheteur);
- toutes les conditions spécifiques d'utilisation, par exemple longueur ou type de câble, blindage ou raccordement à la terre, ou les conditions de fonctionnement de l'EST, qui sont requises pour assurer la conformité.



a) Redresseur monophasé



b) Redresseur triphasé

Figure 1 – Exemples de formes d'onde de tension d'ondulation résiduelle

## Annexe A (informative)

### Informations sur le phénomène

#### A.1 Description du phénomène

La principale source de cette perturbation est constituée par les composantes alternatives produites par les chargeurs de batterie pendant leur fonctionnement, superposées à la tension continue des systèmes de distribution.

On utilise en général différents types de redresseurs dans les chargeurs de batterie; les solutions les plus courantes sont basées sur un pont monophasé, triphasé demi-onde, un pont triphasé, hexaphasé en étoile.

Les caractéristiques particulières du circuit du redresseur, au niveau de la conception, sont

- le rapport entre la valeur efficace de la tension d'entrée et la tension continue de sortie;
- le courant continu pour le redresseur;
- l'amplitude et la fréquence de la composante alternative superposées à la tension continue (ondulation résiduelle).

L'amplitude de l'ondulation résiduelle est liée au nombre de cellules du redresseur; l'augmentation du nombre de cellules provoque une diminution de la tension d'ondulation résiduelle et une augmentation de la fréquence d'ondulation.

La forme d'onde type de la tension d'ondulation résiduelle, dans le cas de charges linéaires et de filtres capacitifs, est présentée à la figure 1. Les charges non linéaires (par exemple, un convertisseur continu-continu) peuvent avoir un comportement différent.

Dans ce dernier cas, si le convertisseur est alimenté par une source affectée par des tensions d'ondulation résiduelle élevées, un courant négatif, allant de la charge à la source, peut être prévisible.

#### A.2 Sélection du niveau d'essai

Pour la sélection du niveau d'essai, il convient de tenir compte des caractéristiques du système redresseur et/ou des conditions de fonctionnement possibles pendant le cycle de vie de la batterie (vie normale, période d'usure).

Les niveaux d'essai indiqués au tableau 1 ne sont pas liés à la fréquence; cependant, les niveaux supérieurs sont généralement représentatifs des systèmes redresseurs à nombre élevé de cellules redresseurs et en conséquence des ondulations résiduelles à fréquence élevée.

Par exemple, les redresseurs hexaphasés en étoile peuvent produire une ondulation résiduelle de 14 % sur une charge purement résistive; connectés à des batteries, l'ondulation résiduelle sera nettement inférieure.

En cas de manque d'informations sur le type de redresseur et sur les conditions de fonctionnement, la sélection des niveaux d'essai inclura des marges appropriées.

### A.3 Informations sur le générateur

La génération de la tension d'ondulation résiduelle utilisée pour cet essai peut se faire par des solutions différentes. Deux diagrammes simplifiés sont présentés ci-après comme exemples.

Le plus simple, représenté à la figure A.1, est constitué d'un régulateur de tension alternative, d'un système redresseur avec condensateur de lissage et résistance de décharge. Le circuit de sortie est fourni avec un commutateur destiné à être utilisé pendant la vérification du courant crête de sortie.

Il convient de sélectionner le système redresseur pour qu'il soit adapté à la fréquence d'ondulation résiduelle requise pour l'essai.

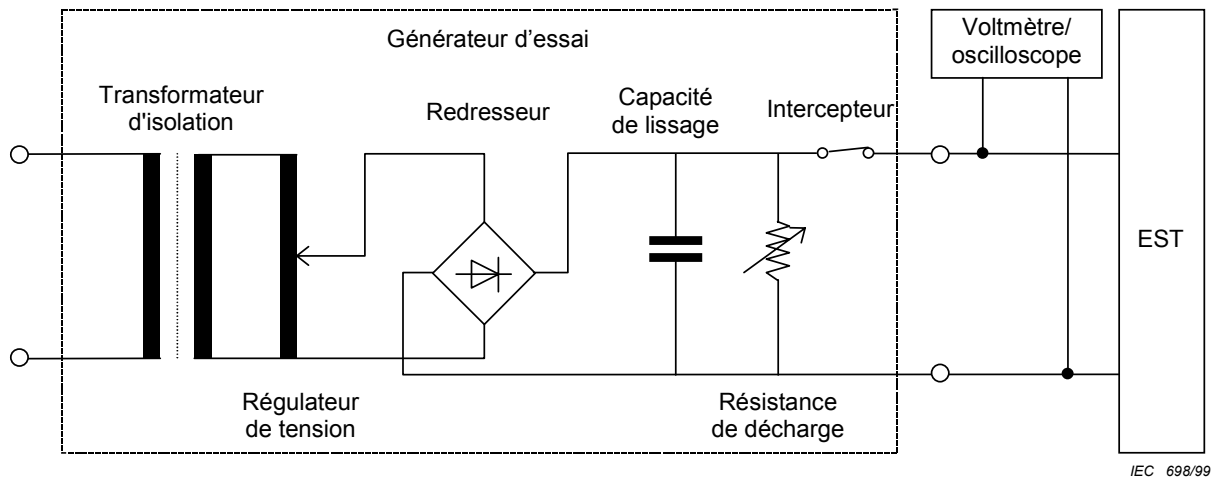


Figure A.1 – Exemple de générateur basé sur un système redresseur

La deuxième solution, représentée à la figure A.2, comprend un synthétiseur programmable et un contrôleur qui peuvent générer une tension de sortie positive et un courant de sortie positif et négatif.

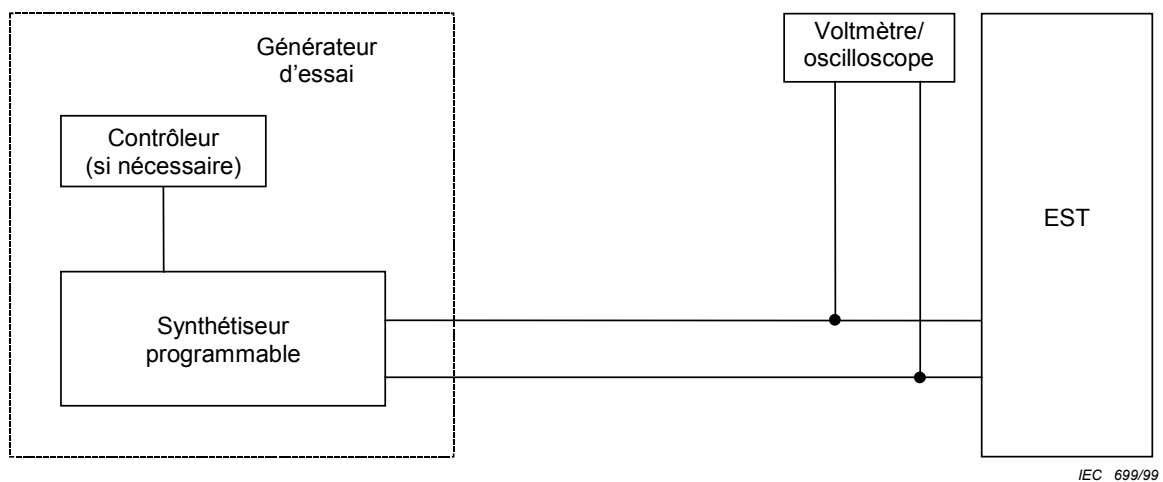


Figure A.2 – Exemple de générateur basé sur une instrumentation programmable

LICENSED TO MECON Limited. - RANCHI/BANGALORE  
FOR INTERNAL USE AT THIS LOCATION ONLY, SUPPLIED BY BOOK SUPPLY BUREAU.



LICENSED TO MECON Limited. - RANCHI/BANGALORE  
FOR INTERNAL USE AT THIS LOCATION ONLY, SUPPLIED BY BOOK SUPPLY BUREAU.

INTERNATIONAL  
ELECTROTECHNICAL  
COMMISSION

3, rue de Varembé  
PO Box 131  
CH-1211 Geneva 20  
Switzerland

Tel: + 41 22 919 02 11  
Fax: + 41 22 919 03 00  
[info@iec.ch](mailto:info@iec.ch)  
[www.iec.ch](http://www.iec.ch)