

INTERNATIONAL STANDARD

NORME INTERNATIONALE

GROUP SAFETY PUBLICATION
PUBLICATION GROUPEE DE SÉCURITÉ

**Tests on electric and optical fibre cables under fire conditions –
Part 3-23: Test for vertical flame spread of vertically-mounted bunched wires or
cables – Category B**

**Essais des câbles électriques et des câbles à fibres optiques soumis au feu –
Partie 3-23: Essai de propagation verticale de la flamme des fils ou câbles
montés en nappes en position verticale – Catégorie B**



THIS PUBLICATION IS COPYRIGHT PROTECTED

Copyright © 2009 IEC, Geneva, Switzerland

All rights reserved. Unless otherwise specified, no part of this publication may be reproduced or utilized in any form or by any means, electronic or mechanical, including photocopying and microfilm, without permission in writing from either IEC or IEC's member National Committee in the country of the requester.

If you have any questions about IEC copyright or have an enquiry about obtaining additional rights to this publication, please contact the address below or your local IEC member National Committee for further information.

Droits de reproduction réservés. Sauf indication contraire, aucune partie de cette publication ne peut être reproduite ni utilisée sous quelque forme que ce soit et par aucun procédé, électronique ou mécanique, y compris la photocopie et les microfilms, sans l'accord écrit de la CEI ou du Comité national de la CEI du pays du demandeur.

Si vous avez des questions sur le copyright de la CEI ou si vous désirez obtenir des droits supplémentaires sur cette publication, utilisez les coordonnées ci-après ou contactez le Comité national de la CEI de votre pays de résidence.

IEC Central Office
3, rue de Varembe
CH-1211 Geneva 20
Switzerland
Email: inmail@iec.ch
Web: www.iec.ch

About the IEC

The International Electrotechnical Commission (IEC) is the leading global organization that prepares and publishes International Standards for all electrical, electronic and related technologies.

About IEC publications

The technical content of IEC publications is kept under constant review by the IEC. Please make sure that you have the latest edition, a corrigenda or an amendment might have been published.

- Catalogue of IEC publications: www.iec.ch/searchpub

The IEC on-line Catalogue enables you to search by a variety of criteria (reference number, text, technical committee,...). It also gives information on projects, withdrawn and replaced publications.

- IEC Just Published: www.iec.ch/online_news/justpub

Stay up to date on all new IEC publications. Just Published details twice a month all new publications released. Available on-line and also by email.

- Electropedia: www.electropedia.org

The world's leading online dictionary of electronic and electrical terms containing more than 20 000 terms and definitions in English and French, with equivalent terms in additional languages. Also known as the International Electrotechnical Vocabulary online.

- Customer Service Centre: www.iec.ch/webstore/custserv

If you wish to give us your feedback on this publication or need further assistance, please visit the Customer Service Centre FAQ or contact us:

Email: csc@iec.ch
Tel.: +41 22 919 02 11
Fax: +41 22 919 03 00

A propos de la CEI

La Commission Electrotechnique Internationale (CEI) est la première organisation mondiale qui élabore et publie des normes internationales pour tout ce qui a trait à l'électricité, à l'électronique et aux technologies apparentées.

A propos des publications CEI

Le contenu technique des publications de la CEI est constamment revu. Veuillez vous assurer que vous possédez l'édition la plus récente, un corrigendum ou amendement peut avoir été publié.

- Catalogue des publications de la CEI: www.iec.ch/searchpub/cur_fut-f.htm

Le Catalogue en-ligne de la CEI vous permet d'effectuer des recherches en utilisant différents critères (numéro de référence, texte, comité d'études,...). Il donne aussi des informations sur les projets et les publications retirées ou remplacées.

- Just Published CEI: www.iec.ch/online_news/justpub

Restez informé sur les nouvelles publications de la CEI. Just Published détaille deux fois par mois les nouvelles publications parues. Disponible en-ligne et aussi par email.

- Electropedia: www.electropedia.org

Le premier dictionnaire en ligne au monde de termes électroniques et électriques. Il contient plus de 20 000 termes et définitions en anglais et en français, ainsi que les termes équivalents dans les langues additionnelles. Egalement appelé Vocabulaire Electrotechnique International en ligne.

- Service Clients: www.iec.ch/webstore/custserv/custserv_entry-f.htm

Si vous désirez nous donner des commentaires sur cette publication ou si vous avez des questions, visitez le FAQ du Service clients ou contactez-nous:

Email: csc@iec.ch
Tél.: +41 22 919 02 11
Fax: +41 22 919 03 00



IEC 60332-3-23

Edition 1.1 2009-02

INTERNATIONAL STANDARD

NORME INTERNATIONALE

GROUP SAFETY PUBLICATION
PUBLICATION GROUPEE DE SECURITE

**Tests on electric and optical fibre cables under fire conditions –
Part 3-23: Test for vertical flame spread of vertically-mounted bunched wires or
cables – Category B**

**Essais des câbles électriques et des câbles à fibres optiques soumis au feu –
Partie 3-23: Essai de propagation verticale de la flamme des fils ou câbles
montés en nappes en position verticale – Catégorie B**

INTERNATIONAL
ELECTROTECHNICAL
COMMISSION

COMMISSION
ELECTROTECHNIQUE
INTERNATIONALE

PRICE CODE
CODE PRIX

CB

ICS 29.060.20;13.220.40; 29.020

ISBN 2-8318-1031-9

CONTENTS

FOREWORD.....	3
INTRODUCTION.....	5
1 Scope.....	6
2 Normative references.....	6
3 Definitions	7
4 Test apparatus	7
4.1 General	7
4.2 Ignition source.....	7
5 Test procedure	7
5.1 Test sample.....	7
5.2 Determination of the number of test pieces	7
5.3 Mounting of the test sample	8
5.4 Flame application time.....	9
6 Evaluation of test results.....	9
7 Performance requirements.....	10
8 Retest procedure	10
9 Test report.....	10
Annex A (normative) Guidance on cable selection for type approval testing.....	12
Annex B (informative) Recommended performance requirements	13
Figure 1 – Spaced cables mounted on the front side of the standard ladder	11
Figure 2 – Touching cables mounted on the front side of the standard ladder (arrays of cables in contact)	11
Table A.1 – Summary of test conditions.....	12

INTERNATIONAL ELECTROTECHNICAL COMMISSION

**TESTS ON ELECTRIC AND OPTICAL FIBRE CABLES
UNDER FIRE CONDITIONS –****Part 3-23: Test for vertical flame spread of vertically-mounted bunched
wires or cables – Category B**

FOREWORD

- 1) The International Electrotechnical Commission (IEC) is a worldwide organization for standardization comprising all national electrotechnical committees (IEC National Committees). The object of IEC is to promote international co-operation on all questions concerning standardization in the electrical and electronic fields. To this end and in addition to other activities, IEC publishes International Standards, Technical Specifications, Technical Reports, Publicly Available Specifications (PAS) and Guides (hereafter referred to as "IEC Publication(s)"). Their preparation is entrusted to technical committees; any IEC National Committee interested in the subject dealt with may participate in this preparatory work. International, governmental and non-governmental organizations liaising with the IEC also participate in this preparation. IEC collaborates closely with the International Organization for Standardization (ISO) in accordance with conditions determined by agreement between the two organizations.
- 2) The formal decisions or agreements of IEC on technical matters express, as nearly as possible, an international consensus of opinion on the relevant subjects since each technical committee has representation from all interested IEC National Committees.
- 3) IEC Publications have the form of recommendations for international use and are accepted by IEC National Committees in that sense. While all reasonable efforts are made to ensure that the technical content of IEC Publications is accurate, IEC cannot be held responsible for the way in which they are used or for any misinterpretation by any end user.
- 4) In order to promote international uniformity, IEC National Committees undertake to apply IEC Publications transparently to the maximum extent possible in their national and regional publications. Any divergence between any IEC Publication and the corresponding national or regional publication shall be clearly indicated in the latter.
- 5) IEC provides no marking procedure to indicate its approval and cannot be rendered responsible for any equipment declared to be in conformity with an IEC Publication.
- 6) All users should ensure that they have the latest edition of this publication.
- 7) No liability shall attach to IEC or its directors, employees, servants or agents including individual experts and members of its technical committees and IEC National Committees for any personal injury, property damage or other damage of any nature whatsoever, whether direct or indirect, or for costs (including legal fees) and expenses arising out of the publication, use of, or reliance upon, this IEC Publication or any other IEC Publications.
- 8) Attention is drawn to the Normative references cited in this publication. Use of the referenced publications is indispensable for the correct application of this publication.
- 9) Attention is drawn to the possibility that some of the elements of this IEC Publication may be the subject of patent rights. IEC shall not be held responsible for identifying any or all such patent rights.

International Standard IEC 60332-3-23 has been prepared by IEC technical committee 20: Electric cables.

It has the status of a group safety publication in accordance with IEC Guide 104.

IEC 60332-3-23 forms one of a series of publications dealing with tests on electric cables under fire conditions; the series supersedes IEC 60332-3 published in 1992. The parts of the series are described in the introduction.

All pre-existing categories of test are retained and updated. A new category (category D) has been added to cater for testing at very low non-metallic volumes.

This consolidated version of IEC 60332-3-23 consists of the first edition (2000) [documents 20/405/FDIS and 20/429/RVD] and its amendment 1 (2008) [documents 20/935/CDV and 20/984A/RVC].

The technical content is therefore identical to the base edition and its amendment and has been prepared for user convenience.

It bears the edition number 1.1.

A vertical line in the margin shows where the base publication has been modified by amendment 1.

Annex A forms an integral part of this standard.

Annex B is for information only.

The committee has decided that the contents of the base publication and its amendments will remain unchanged until the maintenance result date indicated on the IEC web site under "<http://webstore.iec.ch>" in the data related to the specific publication. At this date, the publication will be

- reconfirmed,
- withdrawn,
- replaced by a revised edition, or
- amended.

INTRODUCTION

Parts 1 and 2 of IEC 60332 specify methods of test for flame spread characteristics for a single vertical insulated wire or cable. It cannot be assumed that, because a cable or wire meets the requirements of parts 1 and 2, a vertical bunch of similar cables or wires will behave in a similar manner. This is because flame spread along a vertical bunch of cables depends on a number of features, such as

- a) the volume of combustible material exposed to the fire and to any flame which may be produced by the combustion of the cables;
- b) the geometrical configuration of the cables and their relationship to an enclosure;
- c) the temperature at which it is possible to ignite the gases emitted from the cables;
- d) the quantity of combustible gas released from the cables for a given temperature rise;
- e) the volume of air passing through the cable installation;
- f) the construction of the cable, for example armoured or unarmoured, multi- or single-core.

All of the foregoing assume that the cables are able to be ignited when involved in an external fire.

Part 3 of IEC 60332 gives details of a test where a number of cables are bunched together to form various test sample installations. For easier use and differentiation of the various test categories, the parts are designated as follows:

Part 3-10: Apparatus

Part 3-21: Category A F/R

Part 3-22: Category A

Part 3-23: Category B

Part 3-24: Category C

Part 3-25: Category D

Parts from 3-21 onwards define the various categories and the relevant procedures. The categories are distinguished by test duration, the volume of non-metallic material of the test sample and the method of mounting the sample for the test. In all categories, cables having at least one conductor of cross-sectional area greater than 35 mm² are tested in a spaced configuration, whereas cables of conductor cross-sectional area of 35 mm² or smaller and optical cables are tested in a touching configuration.

The categories are not necessarily related to different safety levels in actual cable installations. The actual installed configuration of the cables may be a major determinant in the level of flame spread occurring in an actual fire.

The method of mounting described as category A F/R (part 3-21) is intended for special cable designs used in particular installations.

Categories A, B, C and D (parts 3-22 to 3-25 respectively) are for general use where different non-metallic volumes are applicable.

TESTS ON ELECTRIC AND OPTICAL FIBRE CABLES UNDER FIRE CONDITIONS –

Part 3-23: Test for vertical flame spread of vertically-mounted bunched wires or cables – Category B

1 Scope

The series of International standards covered by Parts 3-10, 3-21, 3-22, 3-23, 3-24 and 3-25 of IEC 60332 specifies methods of test for the assessment of vertical flame spread of vertically-mounted bunched wires or cables, electrical or optical, under defined conditions.

NOTE For the purpose of this standard, the term "electric wire or cable" covers all insulated metallic conductor cables used for the conveyance of energy or signals.

The test is intended for type approval testing. The requirements for the selection of cables for testing are given in annex A. The flame spread is measured as the extent of damage of the cable sample. This procedure may be used to demonstrate the cable's ability to limit flame spread.

This part of IEC 60332 covers category B and relates to cables installed on the test ladder to achieve a nominal total volume of non-metallic material of 3,5 l/m of test sample. The flame application time is 40 min. The method of mounting uses the front of the standard ladder. The category is intended for general use where medium volumes of non-metallic material are required to be evaluated.

A recommended performance requirement is given in annex B.

2 Normative references

The following referenced documents are indispensable for the application of this document. For dated references, only the edition cited applies. For undated references, the latest edition of the referenced document (including any amendments) applies.

IEC 60332-3-10: *Tests on electric cables under fire conditions – Part 3-10: Test for vertical flame spread of vertically-mounted bunched wires or cables – Apparatus*

IEC 60695-4: *Fire hazard testing – Part 4: Terminology concerning fire tests*

IEC 60811-1-3: *Insulating and sheathing materials of electric cables – Common test methods – Part 1: General application – Section 3: Methods for determining the density – Water absorption tests – Shrinkage test*

IEC Guide 104: *The preparation of safety publications and the use of basic safety publications and group safety publications*

3 Definitions

For the purpose of this part of IEC 60332 the following definitions apply. The definitions are taken from IEC 60695-4.

3.1

ignition source

source of energy that initiates combustion

3.2

char

carbonaceous residue resulting from pyrolysis or incomplete combustion

3.3

flame spread

propagation of a flame front

4 Test apparatus

4.1 General

The apparatus specified in IEC 60332-3-10 shall be used.

4.2 Ignition source

The ignition source shall be one ribbon-type propane gas burner as specified in IEC 60332-3-10.

5 Test procedure

5.1 Test sample

The test sample shall comprise a number of test pieces of cable from the same production length, each having a minimum length of 3,5 m.

The total number of test pieces in the test sample shall be that number required to provide a nominal total volume of non-metallic material of 3,5 l/m of test sample.

The test sample shall be chosen within the limitations given in annex A.

The test pieces forming the test sample shall be conditioned at a temperature of (20 ± 10) °C for at least 16 h before commencing the test. The test pieces shall be dry.

5.2 Determination of the number of test pieces

In order to calculate the appropriate number of test pieces, it is necessary to determine the volume per metre of non-metallic material of one test piece.

A length of cable which shall be not less than 0,3 m long is carefully cut to ensure that the surfaces are at right angles to the cable axis, thus enabling precise measurements of its length.

The density of each non-metallic component (including cellular material) shall be measured in an appropriate way, for example clause 8 of IEC 60811-1-3, in order to obtain values expressed to the second decimal place.

Each non-metallic material C_i shall be removed from the test piece and weighed. Any non-metallic material making up less than 5 % of the total non-metallic mass of the test piece shall be assumed to have a density of 1,0 kg/dm³.

Where semi-conducting screens cannot be removed from the insulating material, the components may be considered as one for the purpose of measuring their mass and density.

The volume V_i (litres per metre of cable) of each non-metallic material C_i is calculated as follows:

$$V_i = \frac{M_i}{\rho_i \times l}$$

where

M_i is the mass of the component C_i (kg);

ρ_i is the density of the component C_i (kg/dm³);

l is the length of the test piece of cable (m).

The total volume, V , of the non-metallic materials contained in 1 m of cable is equal to the sum of the individual volumes V_1 , V_2 , etc.

The closest integer (0,5 and above corresponding to 1) of the number of test pieces to be mounted is obtained by dividing the volume per metre specified in 5.1 by the total volume, V , of non-metallic material per metre of cable.

5.3 Mounting of the test sample

5.3.1 Cables having at least one conductor above 35 mm²

For cables having at least one conductor with a cross-section exceeding 35 mm², each test piece shall be attached individually to each rung of the ladder by means of metal wire (steel or copper). For cables up to and including 50 mm diameter, use wire between 0,5 mm and 1,0 mm diameter. For cables above 50 mm diameter, use wire between 1,0 mm and 1,5 mm in diameter.

Test pieces shall be attached to the front of the standard ladder in a single layer up to a total maximum width of 300 mm with a space between each test piece of 0,5 times the cable diameter but not exceeding 20 mm (see figure 1). There shall be a minimum distance of 50 mm between the edge of the test sample and the inside of the ladder uprights.

When mounting the test pieces, the first test piece shall be positioned approximately in the centre of the ladder and further test pieces added on either side so that the whole array of test pieces is approximately centred on the ladder.

5.3.2 Cables having conductors 35 mm² and below and optical cables

For cables having all conductors with cross-sections of 35 mm² or smaller, and optical cables, each test piece shall be attached, either individually or as part of an array, to each rung of the ladder by means of metal wire (steel or copper) between 0,5 mm and 1,0 mm in diameter.

Test pieces shall be attached to the front of the standard ladder in touching formation in one or more layers up to a maximum total width of 300 mm. There shall be a minimum distance of 50 mm between the edge of the test sample and the inside of the ladder uprights.

When mounting the test pieces, the first test piece or array of test pieces shall be positioned approximately in the centre of the ladder and further test pieces or arrays added on either side so that the test sample is approximately centred on the ladder.

If a second (or more) layer of test pieces is required after the full width of the ladder has been utilized for the first (or following) layer, then the first test piece or array of test pieces in the second (or following) layer shall be positioned approximately in the centre of the ladder and further test pieces or arrays added on either side so that the second (or following) layer is approximately centred on the ladder.

If a large number of test pieces are required to make up a test sample, the test pieces may be attached to each rung of the ladder in flat arrays of cables of a maximum width of five test pieces using the specified metal wire. For consistency, it is recommended that adjacent arrays of cables are secured together at every rung to ensure that they are in touching formation (see figure 2).

5.4 Flame application time

The test flame shall be applied for 40 min, after which it shall be extinguished. The air flow rate through the test chamber shall be maintained until cable burning or glowing has ceased, or until a maximum duration of 1 h, after which any remaining cable burning or glowing shall be extinguished.

6 Evaluation of test results

After all cable burning or glowing has ceased or been extinguished, the test sample shall be wiped clean.

All soot is to be ignored if, when wiped off, the original surface is undamaged. Softening or any deformation of the non-metallic material is also to be ignored. The flame spread shall be measured as the extent of the damage. It shall be measured in metres to two decimal places from the bottom edge of the burner to the onset of char. The onset of char is determined as follows:

press against the cable surface with a sharp object, for example a knife blade. Where the surface changes from a resilient to a brittle (crumbling) surface, this indicates the onset of char.

7 Performance requirements

The performance requirements for a particular type or class of wire or cable should preferably be given in the individual cable standard. In the absence of any given requirements, the recommended performance requirements given in annex B should be used.

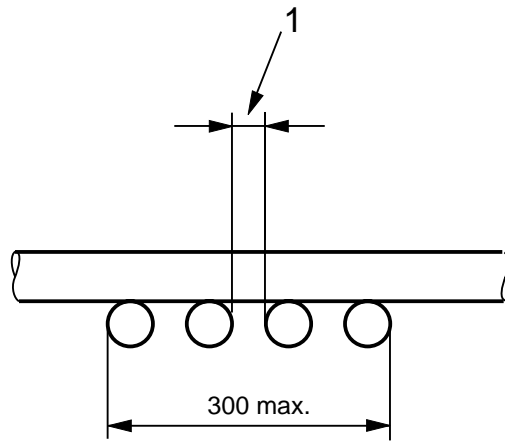
8 Retest procedure

In case of a disputed failure, two further tests shall be undertaken as detailed in clause 5. The test shall be deemed as satisfactory if both tests meet the stated requirement.

9 Test report

The test report shall include the following information:

- a) full description of the cable tested;
- b) manufacturer of the cable tested;
- c) the part of the standard against which the test was carried out;
- d) the number of test pieces;
- e) the total volume of non-metallic material, per metre of test sample, of the test pieces;
- f) the method of mounting, (i.e. spaced or touching);
- g) the number of layers and number of test pieces in each layer;
- h) flame application time (i.e. 40 min);
- i) the number of burners (i.e. one);
- j) the extent of damage;
- k) the time to extinction of all burning or glowing.



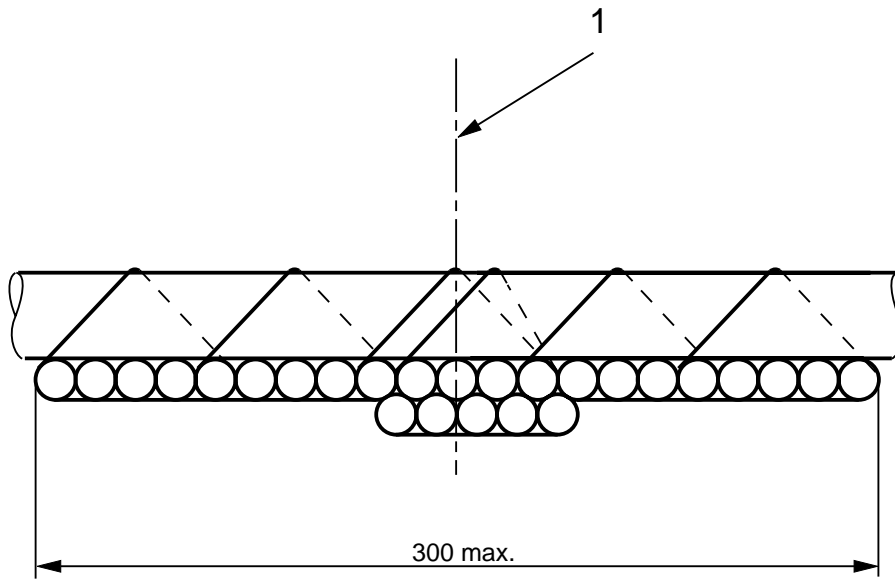
IEC 1860/2000

Key

- 1 Spacing distance

Dimensions in millimetres

Figure 1 – Spaced cables mounted on the front side of the standard ladder



IEC 1862/2000

Key

- 1 Centre line of the ladder

Dimensions in millimetres

**Figure 2 – Touching cables mounted on the front side of the standard ladder
(arrays of cables in contact)**

Annex A (normative)

Guidance on cable selection for type approval testing

The choice of cable type and conductor cross-section for type approval testing shall be as given in the cable specification, or as agreed between purchaser and manufacturer.

The limited capacity of the ladders requires consideration of the conductor cross-section selected for testing to ensure that the volume of non-metallic material can be accommodated within the prescribed method of mounting. Therefore the selection of cables for this part of IEC 60332 shall comply with the following:

- only the front face of the ladder shall be used;
- for cables having a conductor cross-section greater than 35 mm², there shall not be more cables than the number necessary to form a single layer of 300 mm width, allowing for a space between each cable equal to half the cable diameter but not exceeding 20 mm;
- for cables having a conductor cross-section of 35 mm² or smaller and optical cables, there is no restriction on cable selection;
- the minimum number of test pieces shall be two.

A summary of all conditions for type approval testing to this part of IEC 60332 is given in table A.1.

Table A.1 – Summary of test conditions

Category and designation	B	
Range of conductor cross-sections (mm ²)	>35 ^a	≤35 ^b
Non-metallic volume per metre of test sample (l)	3,5	3,5
Use of standard ladder, maximum width of test sample: 300 mm		
– number of layers:	1	≥1
– number of burners:	1	1
Positioning of test pieces	Spaced	Touching
Flame application time (min)	40	40
^a At least one conductor greater than 35 mm ² . ^b No conductor cross-section exceeding 35 mm ² or optical cable.		

Annex B (informative)

Recommended performance requirements

The maximum extent of the charred portion measured on the sample shall not have reached a height exceeding 2,5 m above the bottom edge of the burner.

This recommended performance requirement confirms, on the basis of experience gained, the value previously given in 2.8.1 of technical report IEC 60332-3, *Tests on electric cables under fire conditions – Part 3: Tests on bunched wires or cables*, published in 1992.

SOMMAIRE

AVANT-PROPOS	15
INTRODUCTION	17
1 Domaine d'application	18
2 Références normatives	18
3 Définitions	19
4 Appareillage d'essai	19
4.1 Généralités	19
4.2 Source d'allumage	19
5 Procédure d'essai	19
5.1 Echantillon d'essai	19
5.2 Détermination du nombre de tronçons de câble	19
5.3 Montage de l'échantillon d'essai	20
5.4 Durée d'application de la flamme	21
6 Evaluation des résultats d'essai	21
7 Prescriptions de performance	22
8 Procédure de contre-essai	22
9 Rapport d'essai	22
Annexe A (normative) Lignes directrices pour la sélection des câbles pour l'essai d'acceptation de type	24
Annexe B (informative) Recommandation de prescriptions de performance	25
Figure 1 – Câbles montés en disposition espacée sur la face avant de l'échelle standard	23
Figure 2 – Câbles montés en disposition jointive sur la face avant de l'échelle standard (rangées de câbles en contact)	23
Tableau A.1 – Résumé des conditions d'essai	24

COMMISSION ELECTROTECHNIQUE INTERNATIONALE

**ESSAIS DES CÂBLES ÉLECTRIQUES ET DES CÂBLES
À FIBRES OPTIQUES SOUMIS AU FEU –****Partie 3-23: Essai de propagation verticale de la flamme des fils
ou câbles montés en nappes en position verticale – Catégorie B**

AVANT-PROPOS

- 1) La Commission Electrotechnique Internationale (CEI) est une organisation mondiale de normalisation composée de l'ensemble des comités électrotechniques nationaux (Comités nationaux de la CEI). La CEI a pour objet de favoriser la coopération internationale pour toutes les questions de normalisation dans les domaines de l'électricité et de l'électronique. A cet effet, la CEI – entre autres activités – publie des Normes internationales, des Spécifications techniques, des Rapports techniques, des Spécifications accessibles au public (PAS) et des Guides (ci-après dénommés "Publication(s) de la CEI"). Leur élaboration est confiée à des comités d'études, aux travaux desquels tout Comité national intéressé par le sujet traité peut participer. Les organisations internationales, gouvernementales et non gouvernementales, en liaison avec la CEI, participent également aux travaux. La CEI collabore étroitement avec l'Organisation Internationale de Normalisation (ISO), selon des conditions fixées par accord entre les deux organisations.
- 2) Les décisions ou accords officiels de la CEI concernant les questions techniques représentent, dans la mesure du possible, un accord international sur les sujets étudiés, étant donné que les Comités nationaux de la CEI intéressés sont représentés dans chaque comité d'études.
- 3) Les Publications de la CEI se présentent sous la forme de recommandations internationales et sont agréées comme telles par les Comités nationaux de la CEI. Tous les efforts raisonnables sont entrepris afin que la CEI s'assure de l'exactitude du contenu technique de ses publications; la CEI ne peut pas être tenue responsable de l'éventuelle mauvaise utilisation ou interprétation qui en est faite par un quelconque utilisateur final.
- 4) Dans le but d'encourager l'uniformité internationale, les Comités nationaux de la CEI s'engagent, dans toute la mesure possible, à appliquer de façon transparente les Publications de la CEI dans leurs publications nationales et régionales. Toutes divergences entre toutes Publications de la CEI et toutes publications nationales ou régionales correspondantes doivent être indiquées en termes clairs dans ces dernières.
- 5) La CEI n'a prévu aucune procédure de marquage valant indication d'approbation et n'engage pas sa responsabilité pour les équipements déclarés conformes à une de ses Publications.
- 6) Tous les utilisateurs doivent s'assurer qu'ils sont en possession de la dernière édition de cette publication.
- 7) Aucune responsabilité ne doit être imputée à la CEI, à ses administrateurs, employés, auxiliaires ou mandataires, y compris ses experts particuliers et les membres de ses comités d'études et des Comités nationaux de la CEI, pour tout préjudice causé en cas de dommages corporels et matériels, ou de tout autre dommage de quelque nature que ce soit, directe ou indirecte, ou pour supporter les coûts (y compris les frais de justice) et les dépenses découlant de la publication ou de l'utilisation de cette Publication de la CEI ou de toute autre Publication de la CEI, ou au crédit qui lui est accordé.
- 8) L'attention est attirée sur les références normatives citées dans cette publication. L'utilisation de publications référencées est obligatoire pour une application correcte de la présente publication.
- 9) L'attention est attirée sur le fait que certains des éléments de la présente Publication de la CEI peuvent faire l'objet de droits de propriété intellectuelle ou de droits analogues. La CEI ne saurait être tenue pour responsable de ne pas avoir identifié de tels droits de propriété et de ne pas avoir signalé leur existence.

La Norme internationale CEI 60332-3-23 a été préparée par le comité d'études 20 de la CEI: Câbles électriques.

Elle a le statut d'une publication groupée de sécurité conformément au Guide CEI 104.

La CEI 60332-3-23 fait partie d'une série de publications traitant des essais des câbles électriques soumis au feu; la série remplace la CEI 60332-3, publiée en 1992. Les parties de la série sont décrites dans l'introduction.

Toutes les catégories d'essais déjà existantes ont été retenues et mises à jour. Une nouvelle catégorie (catégorie D) a été rajoutée afin de satisfaire aux besoins d'essai avec des volumes de matériaux non métalliques très faibles.

Cette version consolidée de la CEI 60332-3-23 comprend la première édition (2000) [documents 20/405/FDIS et 20/429/RVD] et son amendement 1 (2008) [documents 20/935/CDV et 20/984A/RVC].

Le contenu technique de cette version consolidée est donc identique à celui de l'édition de base et à son amendement; cette version a été préparée par commodité pour l'utilisateur.

Elle porte le numéro d'édition 1.1.

Une ligne verticale dans la marge indique où la publication de base a été modifiée par l'amendement 1.

L'annexe A fait partie intégrante de cette norme.

L'annexe B est donnée uniquement à titre d'information.

Le comité a décidé que le contenu de la publication de base et de ses amendements ne sera pas modifié avant la date de maintenance indiquée sur le site web de la CEI sous "<http://webstore.iec.ch>" dans les données relatives à la publication recherchée. A cette date, la publication sera

- reconduite,
- supprimée,
- remplacée par une édition révisée, ou
- amendée.

INTRODUCTION

Les parties 1 et 2 de la CEI 60332 spécifient des méthodes d'essai pour caractériser la propagation de la flamme sur un fil isolé ou un câble seul en position verticale. On ne peut pas présumer que lorsqu'un fil ou câble satisfait aux prescriptions des parties 1 et 2, des fils ou câbles similaires disposés en nappe en position verticale se comporteront de la même façon. Cela est dû au fait que la propagation de la flamme le long d'une nappe de câbles en position verticale dépend d'un certain nombre de paramètres, tels que

- a) le volume des matériaux combustibles exposés au feu et aux flammes qui peuvent être produites par la combustion des câbles;
- b) la configuration géométrique des câbles et leur situation par rapport à leur environnement;
- c) la température à laquelle il est possible d'enflammer les gaz émis par les câbles;
- d) la quantité de gaz combustible émis par les câbles pour une température donnée;
- e) le volume d'air passant à travers l'installation des câbles;
- f) la construction des câbles, par exemple armés ou non armés, mono ou multiconducteurs.

Tout ce qui précède présume que les câbles peuvent être enflammés lorsqu'ils sont impliqués dans un incendie externe.

La partie 3 de la CEI 60332 donne les détails d'un essai où un certain nombre de câbles sont disposés en nappes pour constituer différentes installations des échantillons. Pour être d'un usage plus facile et pour différencier les différentes catégories d'essais, les parties sont désignées comme suit:

- Partie 3-10: Appareillage
- Partie 3-21: Catégorie A F/R
- Partie 3-22: Catégorie A
- Partie 3-23: Catégorie B
- Partie 3-24: Catégorie C
- Partie 3-25: Catégorie D

Les parties 3-21 et au-delà définissent les différentes catégories et les procédures qui s'y rapportent. Les catégories sont distinguées par la durée de l'essai, le volume de matériaux non métalliques de l'échantillon d'essai et la méthode de montage de l'échantillon pour l'essai. Dans toutes les catégories, les câbles dont au moins un conducteur est de section supérieure à 35 mm² sont essayés dans une configuration espacée, tandis que les câbles dont les conducteurs sont d'une section inférieure ou égale à 35 mm² et les câbles à fibres optiques sont essayés dans une configuration jointive.

Les catégories ne sont pas nécessairement liées à différents niveaux de sécurité dans les installations de câbles réelles. La configuration réelle des câbles installés peut être un élément déterminant majeur dans le niveau de propagation de la flamme survenant dans un incendie réel.

La méthode de montage décrite dans la catégorie A F/R (partie 3-21) est destinée aux câbles spéciaux utilisés dans des installations particulières.

Les catégories A, B, C et D (parties 3-22 à 3-25 respectivement) sont pour un usage général là où des volumes de matériaux non métalliques différents sont impliqués.

ESSAIS DES CÂBLES ÉLECTRIQUES ET DES CÂBLES À FIBRES OPTIQUES SOUMIS AU FEU –

Partie 3-23: Essai de propagation verticale de la flamme des fils ou câbles montés en nappes en position verticale – Catégorie B

1 Domaine d'application

La série de normes internationales couvertes par les parties 3-10, 3-21, 3-22, 3-23, 3-24 et 3-25 de la CEI 60332 spécifie des méthodes d'essai pour l'évaluation de la propagation verticale de la flamme des fils ou câbles, électriques ou optiques, disposés en nappes en position verticale, dans des conditions définies.

NOTE Pour les besoins de la présente norme, le terme « fils ou câbles électriques » couvre tous les câbles isolés à conducteur métallique utilisés pour le transport d'énergie ou de signaux.

L'essai est prévu pour les essais d'acceptation de type. Les exigences pour la sélection des câbles pour l'acceptation de type sont données dans l'annexe A. La propagation de la flamme est mesurée comme étant l'étendue de la partie endommagée de l'échantillon de câble. Cette procédure peut être utilisée pour démontrer l'aptitude du câble à limiter la propagation de la flamme.

La présente partie de la CEI 60332 couvre la catégorie B et concerne les câbles montés sur l'échelle d'essai afin d'obtenir un volume total nominal de matériau non métallique de 3,5 l/m d'échantillon d'essai. La durée d'application de la flamme est de 40 min. La méthode de montage utilise la face avant de l'échelle standard. Cette catégorie est prévue pour une utilisation générale lorsqu'il est prescrit d'évaluer le comportement de volumes moyens de matériau non métallique.

L'annexe B donne une recommandation pour la prescription de performance.

2 Références normatives

Les documents de référence suivants sont indispensables pour l'application du présent document. Pour les références datées, seule l'édition citée s'applique. Pour les références non datées, la dernière édition du document de référence s'applique (y compris les éventuels amendements).

CEI 60332-3-10: *Essais des câbles électriques soumis au feu – Partie 3-10: Essai de propagation verticale de la flamme des fils ou câbles en nappes en position verticale – Appareillage*

CEI 60695-4: *Essais relatifs aux risques du feu – Partie 4: Terminologie relative aux essais au feu*

CEI 60811-1-3: *Matériaux d'isolation et de gainage des câbles électriques – Méthodes d'essais communes – Partie 1: Application générale – Section 3: Méthodes de détermination de la masse volumique – Essais d'absorption d'eau – Essai de rétraction*

Guide CEI 104: *Elaboration des publications de sécurité et utilisation des publications fondamentales de sécurité et publications groupées de sécurité*

3 Définitions

Pour les besoins de la présente partie de la CEI 60332, les définitions suivantes s'appliquent. Ces définitions proviennent de la CEI 60695-4.

3.1

source d'allumage

source d'énergie qui provoque une combustion

3.2

résidu carbonneux

résidu carboné, résultant d'une pyrolyse ou d'une combustion incomplète

3.3

propagation de flamme

propagation d'un front de flamme

4 Appareillage d'essai

4.1 Généralités

L'appareillage spécifié dans la CEI 60332-3-10 doit être utilisé.

4.2 Source d'allumage

La source d'allumage doit être constituée par un brûleur à propane du type à ruban, tel qu'il est spécifié dans la CEI 60332-3-10.

5 Procédure d'essai

5.1 Echantillon d'essai

L'échantillon d'essai doit comprendre un certain nombre de tronçons de câble issus de la même longueur de production, ayant chacun une longueur minimale de 3,5 m.

Le nombre total de tronçons de câble constituant l'échantillon d'essai doit être égal au nombre requis pour fournir un volume total nominal de matériau non métallique de 3,5 l/m d'échantillon d'essai.

L'échantillon d'essai doit être choisi dans les limites données à l'annexe A.

Les tronçons de câble formant l'échantillon d'essai doivent être conditionnés à une température de (20 ± 10) °C pendant au moins 16 h avant de commencer l'essai. Les tronçons de câble doivent être secs.

5.2 Détermination du nombre de tronçons de câble

Pour calculer le nombre approprié de tronçons de câble, il est nécessaire de déterminer le volume par mètre de matériau non métallique d'un tronçon de câble.

Une longueur de câble qui ne doit pas être inférieure à 0,3 m est soigneusement coupée de telle manière que les surfaces coupées soient perpendiculaires à l'axe du câble, permettant ainsi une mesure précise de sa longueur.

La masse volumique de chaque composant non métallique (y compris les matériaux cellulaires) doit être mesurée par une méthode appropriée, par exemple selon l'article 8 de la CEI 60811-1-3, afin d'obtenir des valeurs exprimées avec deux décimales.

Chaque matériau non métallique C_i doit être retiré de l'échantillon et pesé. Tout matériau non métallique entrant pour moins de 5 % dans la masse totale non métallique du tronçon de câble doit être considéré comme ayant une masse volumique de 1,0 kg/dm³.

Lorsque les écrans semi-conducteurs ne peuvent pas être séparés des matériaux d'isolation, ils peuvent être considérés comme faisant partie de l'isolant pour la mesure de leur masse et de leur masse volumique.

Le volume V_i (en litres par mètre de câble) de chaque composant non métallique C_i est calculé comme suit:

$$V_i = \frac{M_i}{\rho_i \times l}$$

où

M_i est la masse du composant C_i (kg);

ρ_i est la masse volumique du composant C_i (kg/dm³);

l est la longueur de l'échantillon de câble (m).

Le volume total, V , de matériau non métallique contenu dans 1 m de câble est égal à la somme des volumes individuels V_1 , V_2 , etc.

Le nombre entier le plus proche (0,5 et au-dessus correspondant à 1) du nombre de tronçons de câbles à monter est obtenu en divisant le volume par mètre spécifié en 5.1 par le volume total, V , de matériau non métallique par mètre de câble.

5.3 Montage de l'échantillon d'essai

5.3.1 Câbles dont au moins un conducteur est de section supérieure à 35 mm²

Pour les câbles dont au moins un conducteur est de section supérieure à 35 mm², chaque tronçon de câble doit être attaché individuellement à chaque barreau de l'échelle au moyen d'un fil métallique (en acier ou en cuivre). Pour les câbles de diamètre inférieur ou égal à 50 mm, utiliser un fil de diamètre compris entre 0,5 mm et 1,0 mm. Pour les câbles de diamètre supérieur à 50 mm utiliser un fil de diamètre compris entre 1,0 mm et 1,5 mm.

Les tronçons de câble doivent être attachés en une seule couche sur la face avant de l'échelle jusqu'à une largeur totale maximale de 300 mm avec un espacement entre chaque tronçon de câble de 0,5 fois le diamètre du câble, sans toutefois excéder 20 mm (voir figure 1). La distance entre le bord de l'échantillon d'essai et l'intérieur des montants de l'échelle doit être au minimum de 50 mm.

Lors du montage des tronçons de câbles, le premier tronçon de câble doit être positionné approximativement au centre de l'échelle et les tronçons de câble supplémentaires ajoutés de chaque côté, de telle façon que l'ensemble des tronçons de câble soit approximativement centré sur l'échelle.

5.3.2 Câbles dont tous les conducteurs sont de sections inférieures ou égales à 35 mm² et câbles à fibres optiques

Pour les câbles dont tous les conducteurs sont de sections inférieures ou égales à 35 mm², et les câbles à fibre optique, chaque tronçon de câble doit être attaché, soit individuellement soit comme partie d'une rangée, à chaque barre de l'échelle au moyen d'un fil métallique (en acier ou en cuivre) de diamètre compris entre 0,5 mm et 1,0 mm.

Les tronçons de câble doivent être attachés sur la face avant de l'échelle standard en disposition jointive, en une ou plusieurs couches, jusqu'à une largeur maximale totale de 300 mm. La distance entre le bord de l'échantillon d'essai et l'intérieur des montants de l'échelle doit être au minimum de 50 mm.

Lors du montage des tronçons de câble, le premier tronçon ou la première rangée de tronçons de câbles doit être positionné approximativement au centre de l'échelle, et les tronçons ou les rangées supplémentaires ajoutés de chaque côté de telle façon que l'échantillon d'essai soit approximativement centré sur l'échelle.

Si une deuxième couche (ou plus) de tronçons de câble est exigée après que toute la largeur de l'échelle a été utilisée pour la première couche (ou les suivantes), alors le premier tronçon ou la première rangée de tronçons de câble dans la deuxième couche (ou les suivantes) doit être positionné approximativement au centre de l'échelle et les tronçons ou les rangées supplémentaires ajoutées de chaque côté, de telle façon que la deuxième couche (ou les suivantes) soit approximativement centrée sur l'échelle.

Si un grand nombre de tronçons de câble est exigé pour constituer l'échantillon d'essai, les tronçons de câble peuvent être attachés, à l'aide du fil métallique spécifié, à chaque barre de l'échelle en rangées de câbles disposés à plat d'une largeur maximale de cinq tronçons de câble. Pour assurer l'homogénéité, il est recommandé que les rangées de câbles adjacentes soient attachées ensemble à chaque barre afin de s'assurer qu'elles sont disposées en formation jointive (voir figure 2).

5.4 Durée d'application de la flamme

La flamme d'essai doit être appliquée pendant 40 min, après quoi elle doit être éteinte. Le débit d'air à travers la chambre d'essai doit être maintenu jusqu'à ce que la combustion ou l'incandescence du câble ait cessé, ou jusqu'à une durée maximale de 1 h, après quoi toute combustion ou incandescence du câble restante doit être éteinte.

6 Evaluation des résultats d'essai

Une fois toute combustion ou incandescence du câble terminée ou éteinte, l'échantillon d'essai doit être essuyé.

On ne tient pas compte de la suie si, après avoir été essuyée, la surface d'origine n'est pas endommagée. On ne tient pas compte non plus des parties ramollies ou déformées des matériaux non métalliques. La propagation de la flamme doit être mesurée comme étant l'étendue de la partie endommagée. Elle doit être mesurée en mètres à la deuxième décimale, à partir du bord inférieur du brûleur jusqu'à la limite de la zone carbonisée. Celle-ci est définie comme suit:

à l'aide d'un objet pointu, par exemple une lame de couteau, effectuer une pression contre la surface du câble. La limite de la zone carbonisée correspond à un changement du comportement de la surface, qui d'élastique devient cassante (effritable).

7 Prescriptions de performance

Il est recommandé que les prescriptions de performance pour un type particulier ou une classe particulière de fil ou câble soient données dans la norme individuelle de câble. En l'absence de toute prescription donnée, il est recommandé d'utiliser les prescriptions de performance données à l'annexe B.

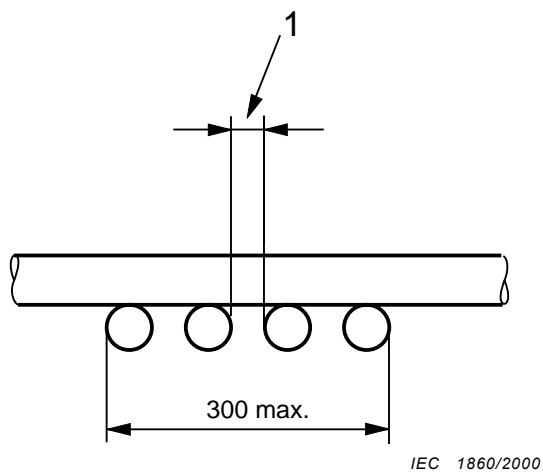
8 Procédure de contre-essai

Lorsque le résultat d'un essai non satisfaisant est contesté, deux autres essais supplémentaires tels que spécifiés à l'article 5 doivent être effectués. L'essai doit être considéré comme satisfaisant si les deux essais satisfont à la prescription donnée.

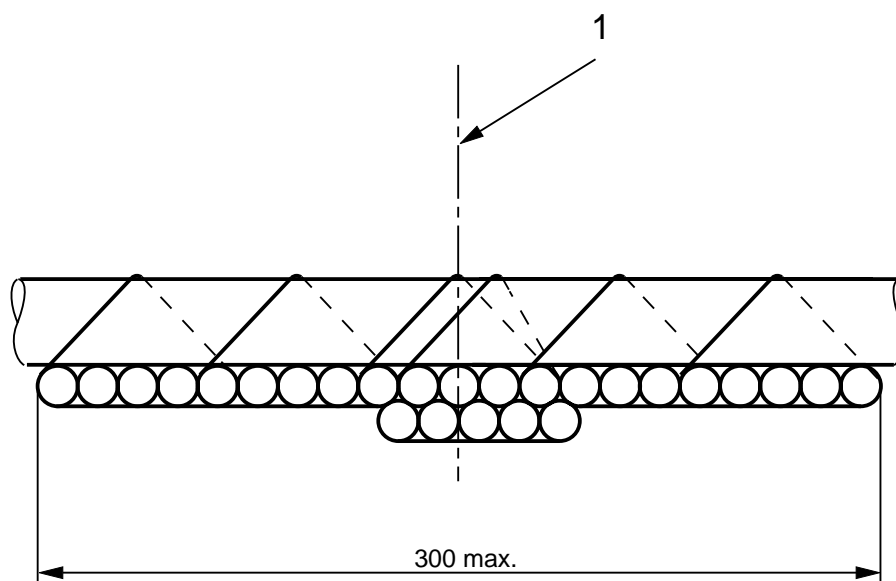
9 Rapport d'essai

Le rapport d'essai doit comprendre les informations suivantes:

- a) description complète du câble essayé;
- b) fabricant du câble essayé;
- c) partie de la norme selon laquelle l'essai a été effectué;
- d) nombre de tronçons de câble;
- e) volume total de matériau non métallique, par mètre d'échantillon d'essai, des tronçons de câble;
- f) méthode de montage, (c'est-à-dire montage en disposition espacée ou jointive);
- g) nombre de couches et nombre de tronçons de câble dans chaque couche;
- h) durée d'application de la flamme (c'est-à-dire 40 min);
- i) nombre de brûleurs (c'est-à-dire un);
- j) étendue de la partie endommagée;
- k) durée d'extinction de toute combustion ou incandescence.

**Légende**

1 Distance d'espacement

*Dimensions en millimètres***Figure 1 – Câbles montés en disposition espacée sur la face avant de l'échelle standard****Légende**

1 Axe médian de l'échelle

*Dimensions en millimètres***Figure 2 – Câbles montés en disposition jointive sur la face avant de l'échelle standard (rangées de câbles en contact)**

Annexe A
(normative)

Lignes directrices pour la sélection des câbles pour l'essai d'acceptation de type

Le choix du type de câble et de la section des conducteurs pour les essais d'acceptation de type doit être conforme aux indications données dans la spécification du câble ou doit faire l'objet d'un accord entre l'acheteur et le fabricant.

La capacité limitée des échelles nécessite de réfléchir sur le choix de la section du câble d'essai afin de s'assurer que le volume de matériau non métallique puisse être compatible avec la méthode de montage prescrite. Aussi la sélection des câbles pour la présente partie de la CEI 60332 doit satisfaire à ce qui suit:

- seule la face avant de l'échelle doit être utilisée;
- pour les câbles dont au moins un conducteur est de section supérieure à 35 mm², il ne doit pas y avoir plus de câbles que le nombre nécessaire pour former une seule couche de largeur 300 mm, en permettant d'avoir un espacement entre chaque tronçon de câble égal à la moitié du diamètre du câble mais sans excéder 20 mm;
- pour les câbles dont tous les conducteurs ont une section inférieure ou égale à 35 mm² et les câbles à fibre optique, il n'y a aucune restriction pour la sélection des câbles;
- le nombre minimal de tronçons de câble doit être de deux.

Un résumé de toutes les conditions pour les essais d'acceptation de type de la présente partie de la CEI 60332 est donné au tableau A.1.

Tableau A.1 – Résumé des conditions d'essai

Catégorie et désignation	B	
	>35 ^a	≤35 ^b
Gamme des sections de conducteur (mm ²)	>35 ^a	≤35 ^b
Volume de matériau non métallique par mètre d'échantillon d'essai (l)	3,5	3,5
Utilisation de l'échelle standard, largeur maximale de l'échantillon d'essai: 300 mm – nombre de couches: – nombre de brûleurs:	1 1	≥1 1
Positionnement des tronçons de câbles	Espacés	Jointifs
Temps d'application de la flamme (min)	40	40
^a Au moins un conducteur de section supérieure à 35 mm ² .		
^b Pas de conducteur de section supérieure à 35 mm ² ou câble à fibres optiques.		

Annexe B (informative)

Recommandation de prescriptions de performance

L'étendue maximale de la portion carbonisée mesurée sur l'échantillon ne doit pas avoir atteint une hauteur excédant 2,5 m au-dessus du bord inférieur du brûleur.

La présente recommandation de prescription de performance confirme, sur la base de l'expérience acquise, la valeur donnée précédemment en 2.8.1 du rapport technique CEI 60332-3, *Essais des câbles électriques soumis au feu – Partie 3: Essais sur des fils ou câbles en nappes*, publié en 1992.

LICENSED TO MECON Limited. - RANCHI/BANGALORE
FOR INTERNAL USE AT THIS LOCATION ONLY, SUPPLIED BY BOOK SUPPLY BUREAU.

LICENSED TO MECON Limited. - RANCHI/BANGALORE
FOR INTERNAL USE AT THIS LOCATION ONLY, SUPPLIED BY BOOK SUPPLY BUREAU.

INTERNATIONAL
ELECTROTECHNICAL
COMMISSION

3, rue de Varembé
PO Box 131
CH-1211 Geneva 20
Switzerland

Tel: + 41 22 919 02 11
Fax: + 41 22 919 03 00
info@iec.ch
www.iec.ch