

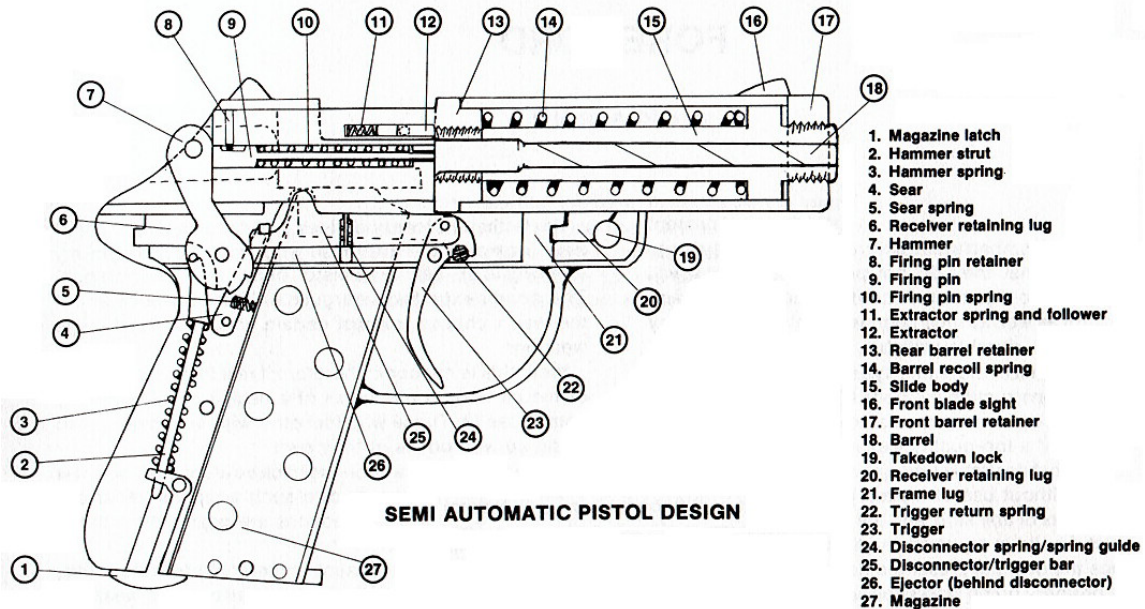
**HOME WORKSHOP
GUNS FOR DEFENSE
AND RESISTANCE**

THE HANDGUN

Bill Holmgren

Chapter One

Pistol Design

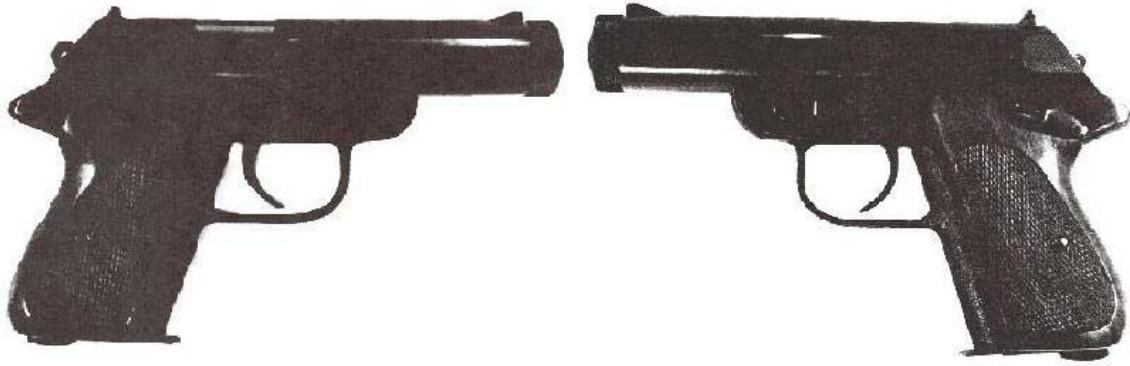


In this volume, I propose to show two different pistol (or handgun) designs which can be manufactured in the home workshop.

One of these designs is for a semi-automatic pistol, and the other describes a falling-block single shot pistol. The first one is of necessity limited somewhat by the cartridge size it must use. My second, single shot design will handle just about any cartridge that is practical to use in a hand-held firearm, provided proper steels and heat-treatment methods are used.

While it is entirely practical to make a revolver in the home workshop if proper equipment is available, I have not included a revolver design in this book. Without professional training and equipment, it is very difficult to hand-build a revolver cylinder that will index and lock up properly.

As with the submachine gun, probably the most difficult part to make for the semi-automatic gun is the clip or magazine. So if possible, a suitable magazine should be obtained or manufactured first, and the frame of the gun then built around it.

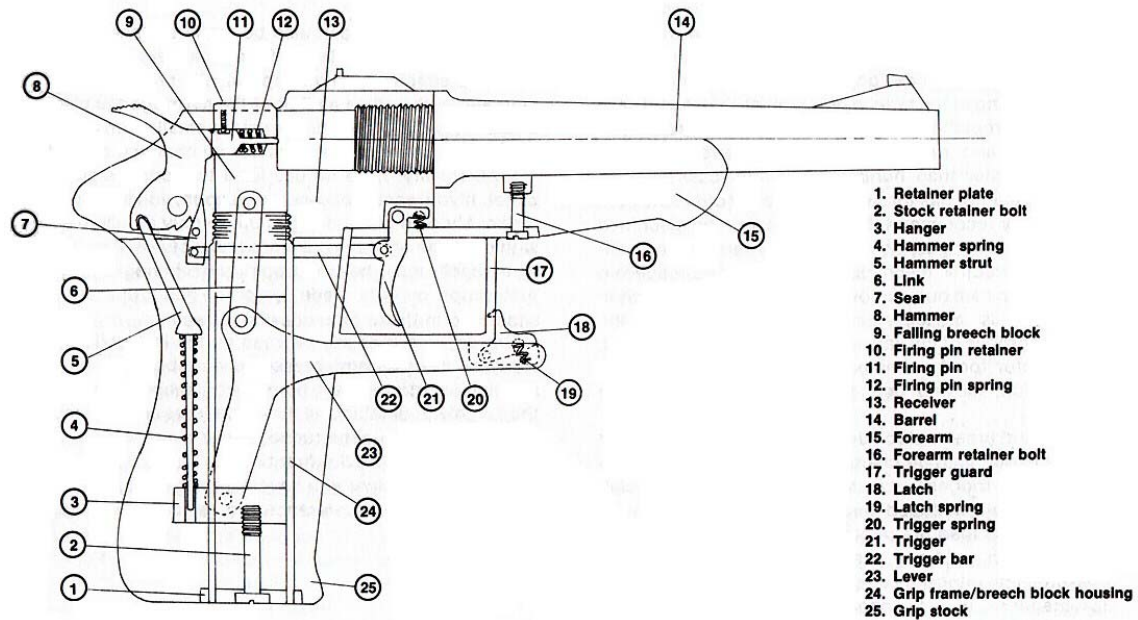


The first pistol discussed here is made in .22 long rifle, .32 ACP, .380 ACP, or any combination of these three. In fact, with a magazine for each of the three calibers and a corresponding slide (barrel assembly), the same frame may be used for all three calibers. The pistol can be converted to any of the three calibers in a matter of seconds simply by turning the small take-down lever located on the left side directly in front of the trigger guard. This action releases the self-contained slide/barrel assembly, allowing it to be lifted from the frame and replaced with a slide/barrel assembly in the desired caliber. A magazine of the corresponding caliber is inserted in the frame, and the pistol is ready to use again.

Slide and barrel assemblies made from tubing no doubt will look a little crude. And neither of these pistol designs will ever be considered streamlined. But by the use of tubing in the manner described, I eliminate the necessity of cutting mating grooves along the length of both the frame and slide. Such a grooving procedure is a challenge even to the professional gunsmith with proper tools. Nor do I normally endorse the idea of a welded sheet metal frame. My over-riding consideration here was that such a frame can be constructed with a couple of files, a hacksaw, a few drills, and a few minute's use of welding equipment. So if the design is lacking from the standpoint of appearance, it more than makes up for it in ease of manufacture.

In the event that you elect to make this pistol with the interchangeable slide/barrel assemblies, it will almost certainly be necessary for you to manufacture your own magazines, since I do not know of any interchangeable commercial clips in all three different calibers. If you will follow the instructions in the chapter on magazine manufacture, you should be able to make clips for the different calibers which will all fit into the same frame. I have not incorporated a magazine safety in this design, which means that the pistol will fire with the magazine removed. When engaged, the safety lever on the left rear side of the gun blocks the hammer from contacting the firing pin. This, and a positive half-cock notch on the hammer are the only safety provisions incorporated in the pistol's design. Its firing pin is an inertia type similar to the M1911 Colt .45, which allows the gun to be carried safely with the hammer down without the firing pin striking the primer of a chambered round. So the weapon may be carried safely with either the hammer down, at half cock, or at the full cock with the safety engaged.

Simple fixed sights are fastened on the top of the slide assembly. No sighting adjustment is provided since a short-barreled pocket pistol of this type is usually meant for use only at short range. The sights can be adjusted by filing the front sight to raise the point of impact in relation to the sight "picture," or by filing the rear sight sideways in the lateral direction you want to move the point of impact.



The single shot pistol design shown herein uses an entirely different approach to our problem. Since it utilizes a falling-block design made from solid steel, it will be strong enough to handle just about any cartridge you care to chamber it for. The barrel may be as long as you care to make it. With good adjustable sights or a suitable telescopic sight, this handgun should be as accurate at longer ranges as any other weapon of this general type. Here again I have tried to keep its design as simple as possible. The hammer must be cocked by hand. It could be made self-cocking relatively easily, but this would demand additional parts and machining operations. Or a hammerless, self-contained breech block could be used, but this would call for extra parts plus a safety lever of some sort.

No attempt has been made to incorporate an ejector into this weapon. In most cases it is desirable to retrieve the empty cartridge case after firing for the purpose of reloading. So, in this design, a simple extractor actuated by the lowering of the breech block causes the spent case to protrude from the chamber far enough to be grasped by the fingers and removed. This is preferred by most shooters, rather than hunting the empty case after an automatic ejector has thrown it completely out of the gun.

I seriously recommend that your weapon be machined for rimmed cartridges. Use of a rimless cartridge complicates the extraction mechanism, since a spring-loaded lip is required to cam outward over the head of the case when the action is closed, simultaneously engaging the extractor groove of the cartridge case. On the other hand,

the extractor for the rimmed case is of solid one-piece construction, moving only the rim of the case during ejection.

The round breech-block design shown should be used only if the gun is to be chambered for the relatively low-pressured cartridges, such as the .22 rimfires, .38 special, etc. This type is included here simply because it is much easier to build than the rectangular type also shown.

If the gun is built and chambered for any of the high pressure, high intensity cartridges such as the .22 Hornet, .357 magnum, or .44 magnum, then you must use the rectangular breech-block design. It is much stronger than the round one.

My second pistol can also be made to accept several interchangeable barrels in different calibers. Its caliber is changed simply by changing barrels, provided the rim diameter is the same as that of the cartridge the pistol is originally built to accept. A larger or smaller rim diameter will necessitate that the extractor be changed also.

I, personally, have no use for a telescopic sight on a pistol. If you want a long-range weapon, you should build a rifle. My own pistol designs utilize only adjustable iron sights, as shown in the drawings and pictures. Any "sport" who simply must have a scope on his handgun will find that scope mounts made for other handguns are also adaptable to those of my design as well. One last word of advice: read all the instructions and study all the diagrams presented here before even considering starting your home workshop gun. If you thoroughly understand all the procedures and schematics before beginning construction, your pistol will be much easier to build right the first time. I also suggest that you have a copy of Volume One of this series handy for reference, though it is not imperative.

Chapter Two

The Home Workshop

If you have already read the first chapter of volume one of this series, the following information will already be familiar to you. Also, I realize that a good percentage of readers are amateur or professional gunsmiths, gun buffs, or machinists. To them much of this will be routine.

Very few readers will have a fully equipped machine shop at their disposal, nor all of the knowledge needed to run it professionally. Though I do have a machine shop of my own now, just a few years ago I did not. It was then that I learned most of the "home workshop" techniques I present as alternatives to making up your weapon with the help of a machine shop. Here is a list of the minimum tools necessary to build your handgun(s):

A 1/4 inch or 3/8 inch drill motor (or hand type drill)

Drill bits; sizes 1/8, 3/16, 1/4, and 3/8 inch

A hacksaw with several blades

Several eight and ten inch flat mill bastard files

Three-cornered triangular files (small)

Round files; 1/8, 3/26, and 1/4.

Small square files

Cold chisels; 1/8, 1/4, and 1/2 inch

Center punch

Scriber

Micrometer or vernier caliper

12 inch ruler

Protractor

Appropriate taps with corresponding drills

Tap wrench

The use of a lathe, welding equipment, and grinder.

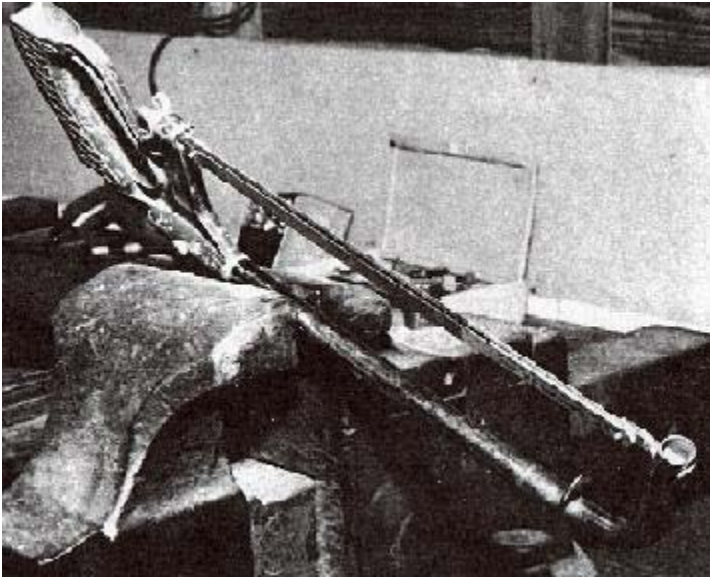
One of the most useful home workshop improvisations can be used to form openings or small parts usually made with a vertical milling machine. These include the ejection port, trigger, hammer, sear, and many others. This substitute procedure is started by scribing the outline of the opening or part on a piece of steel of desired width. Drill inter-connecting holes around or within the outline (depending on situation), until only a thin web of metal connects the outlined area. Punch it through with a cold chisel, and finish with files.

And I'll add here that you should learn to use files properly and efficiently. Many procedures normally done with a milling machine can be done with hand files and patience, hence the fact that the file has been nick-named "the poor man's milling machine".

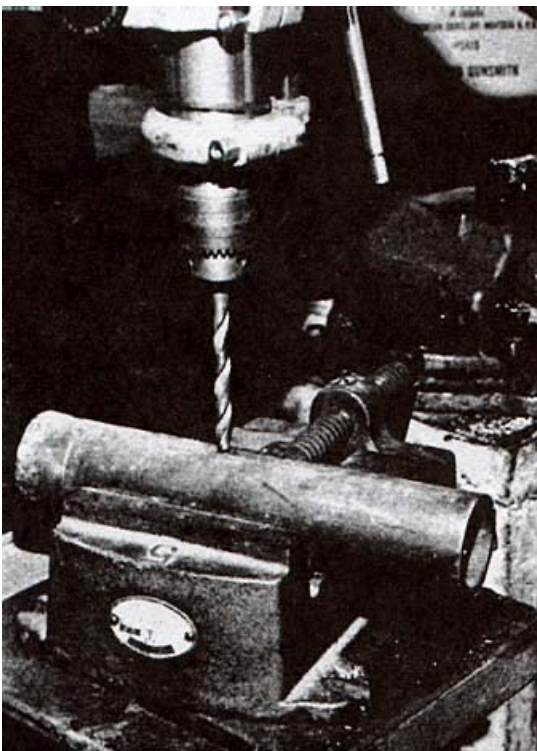
"The poor man's lathe," or your electric hand drill, can be substituted for many lathe operations, but is not recommended for accuracy. Here, the part to be lathed is chucked in

your drill, and the drill's handle secured in a solid vice. The drill is switched on, and a flat mill bastard file applied as shown in the photo.

All of this , and other alternative procedures covered in the following pages, add up to "jackleg" gunsmithing at its best. Patience can substitute for electricity , and perseverance for elaborate equipment. And remember, there is no reason why your home workshop gun should not be just as safe, accurate, and reliable as a similar mass-manufactured model.

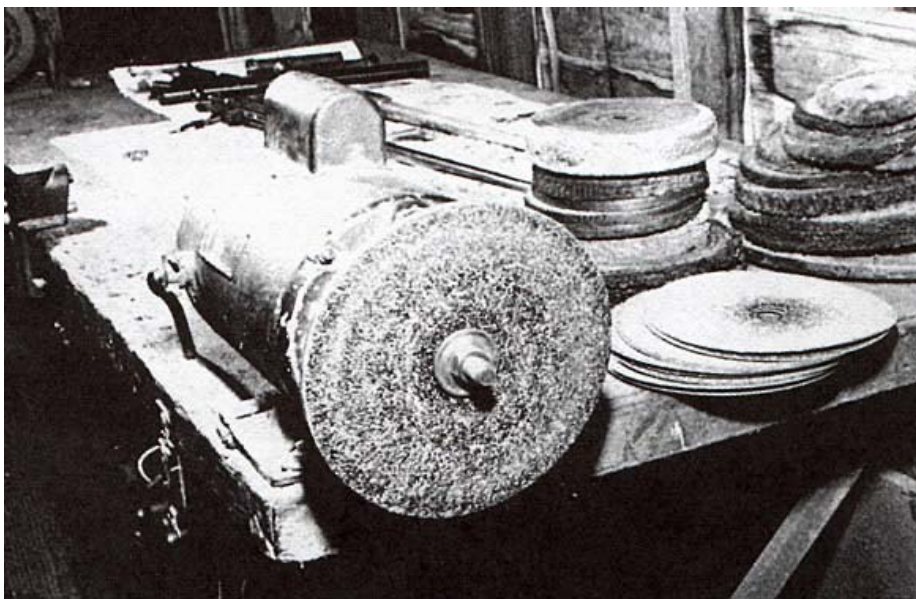
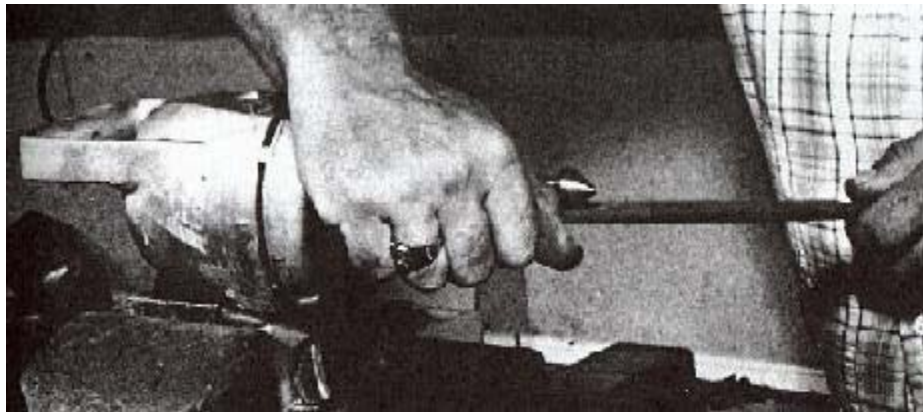


By replacing the pins in the hacksaw frame with longer ones, it can be made to accommodate two or three blade at once. Wide slots are cut far more easily with this method.



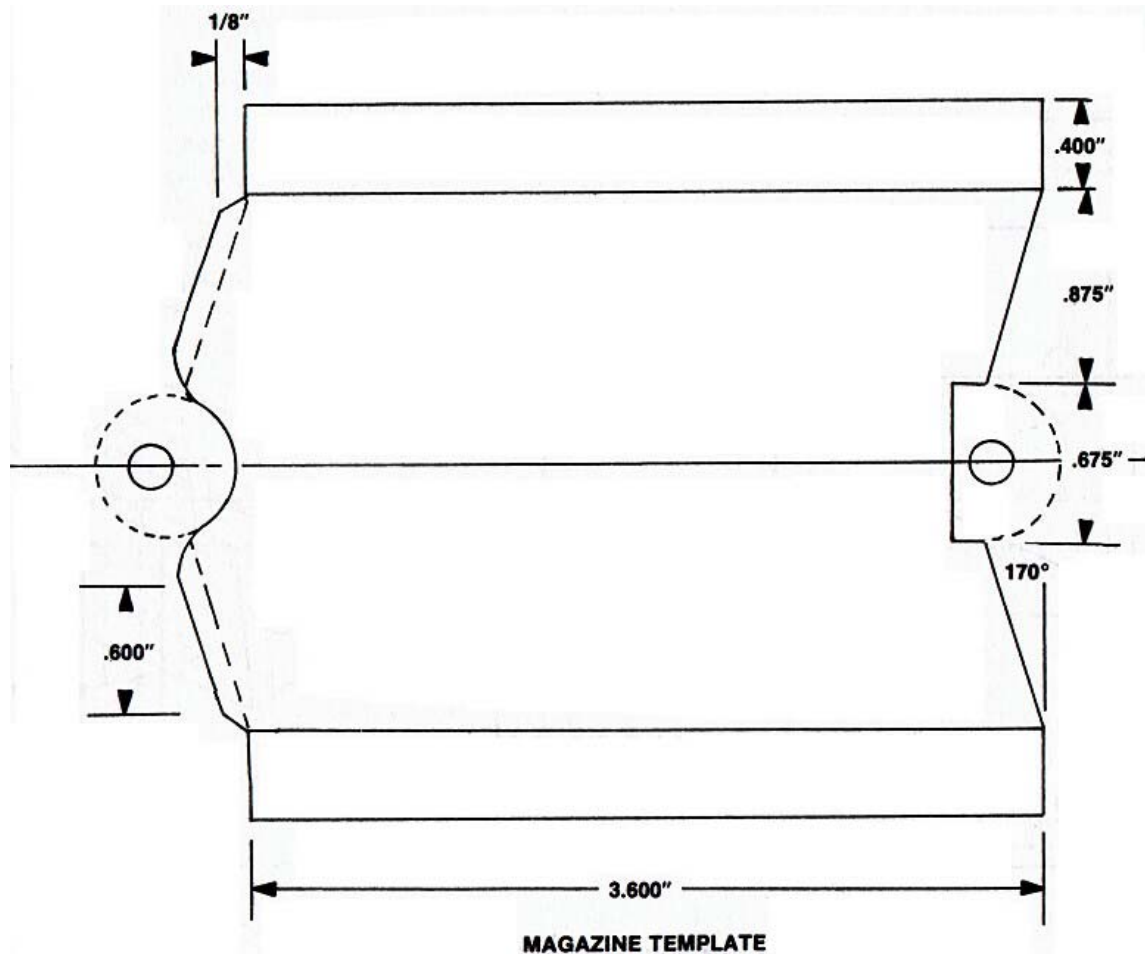
Some readers may have a drill press and vice set-up like this at their disposal. Those who have only a hand drill will have to take extra care to insure that the drill is held at right angle to the work.

If no lathe is available, many lathe operations can be performed with a "Poor man's lathe," as pictured here. Though this technique is not recommended for accuracy. It can save you a lot of time and sweat, and produce reasonable results in many cases.



These sanding discs were originally designed to serve in an automotive

body shop. I mount such discs on an arbor, and use them for grinding and sanding operations. Use masonite, or a similar stiff backplate material behind the disc.



Chapter Three

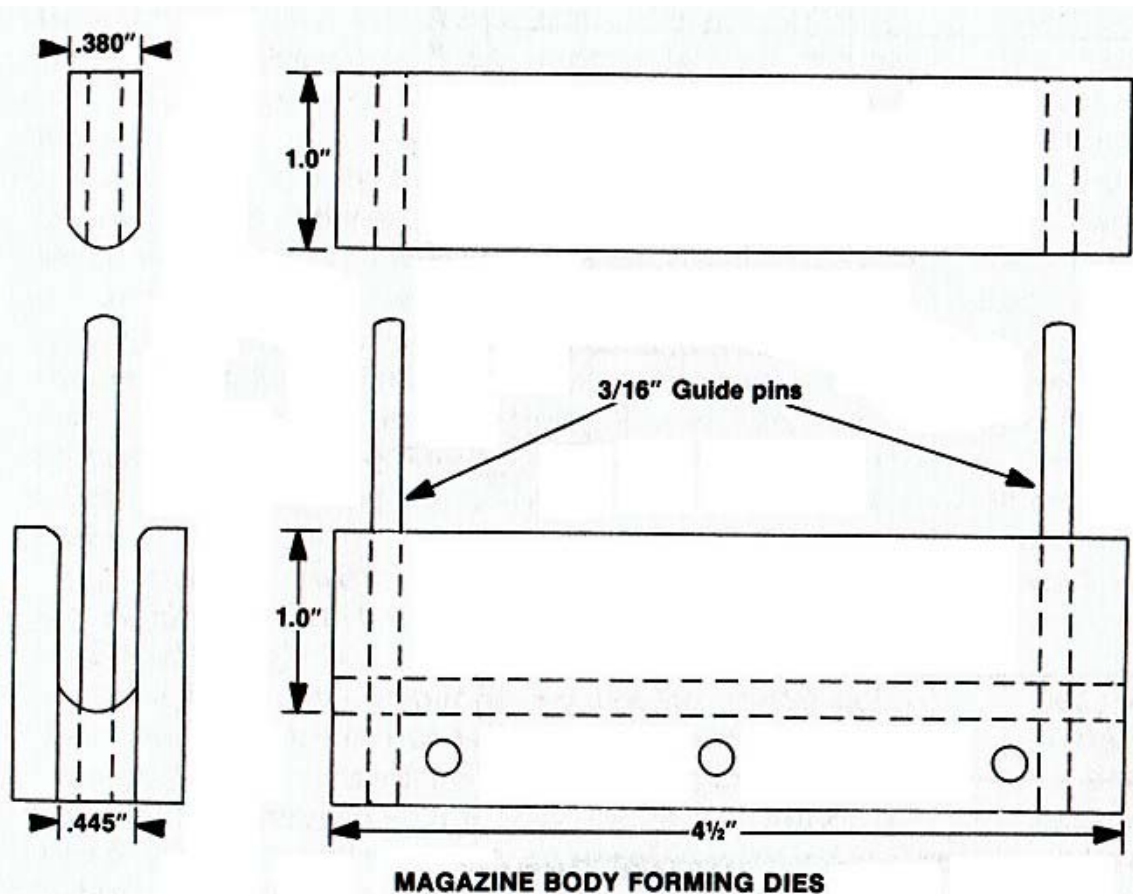
Magazine Construction

Since a proper functioning magazine or clip is crucial to the dependable operation of the semi-automatic pistol, and is also the most difficult part to home-build, I suggest that you purchase a mass-produced magazine in the caliber desired and build the gun to fit around it.

At the present time, there are several companies that regularly advertise magazines for almost any caliber and model gun that you care to name. Most sell for eight to ten dollars. That price is considerably cheaper than you can make one for at home, if you count your time as being worth anything. If you do elect to buy your clips, get at least a couple of extras.

If an interchangeable caliber gun is planned, try to obtain magazines with the same outside dimensions in each of the calibers that you intend to use. Chances are that this

will not be possible, so you must obtain magazines for the largest caliber that you intend to use, and rebuild them to handle the smaller cartridges. For example, if you want the same pistol frame to handle the .380 ACP, .32 ACP, and .22 long rifle cartridges, you should purchase at least three identical magazines in the .380 ACP caliber, then rebuild one or more to handle the .32 ACP cartridge, and another to accept the .22 long rifle.



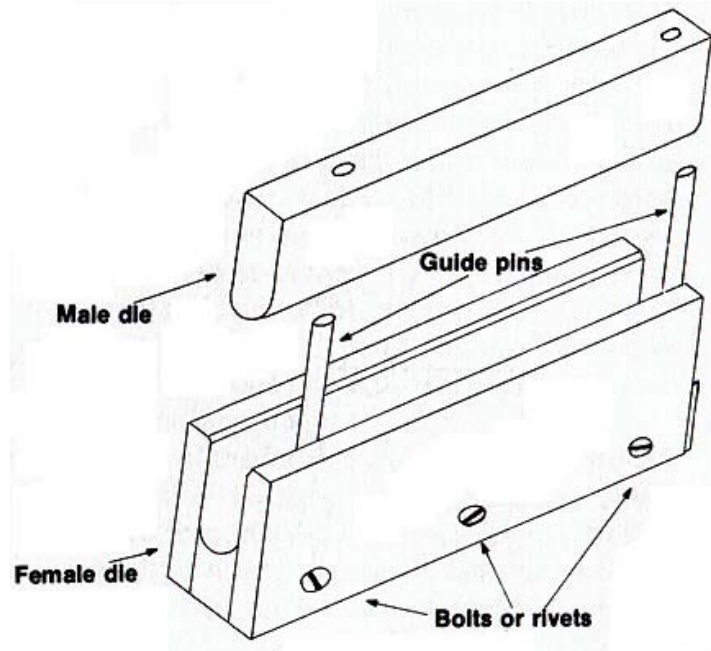
In the future, the possibility exists that pre-manufactured magazines will no longer be available when needed, so this chapter will deal primarily with building them at home. The same method described here to adapt the magazine to the smaller calibers also applies to the conversion of existing magazines.

If you elect to make a magazine of the dimensions shown in the drawings, first obtain a section of thin sheet steel 3.200 inches wide by 3.900 inches long. It is preferable to use 22 gauge sheet metal, which is .0299 inch in thickness, or for all practical purposes, .030 inch thick. This .030 inch dimension is the one used throughout this chapter, so if a different thickness material is used, the forming die dimensions will have to be adjusted accordingly. If new material is not available, sheet metal salvaged from an automobile body can be used, after stripped of all paint and primer and cleaned thoroughly.

Make a template of the magazine body shown in the drawing. Transfer the outline to the sheet metal, and cut to shape with a pair of tin snips or sheet metal shears. Leave the extra

material shown at the top and bottom of the center line. Locate and drill the 3/16 inch holes shown as accurately on the center line as possible. The guide pins in the forming dies fit through these to keep the blank centered while forming. Any extra metal around these two holes is cut away after the magazine body is formed to shape.

Construct the male forming die from a piece of steel 4 1/2 inches long with a finished width of .380 inch and a finished depth of 1.000 inch. Its front side is rounded to a perfect half-circular contour having a radius of .190 inch. If you cannot form this rounded portion properly, either by filing or grinding, turn a section of drill rod to the .380 inch diameter required and split it down the center. After it is filed or ground to half diameter, it is sweated or brazed to a rectangular section, thereby forming the rounded front edge.

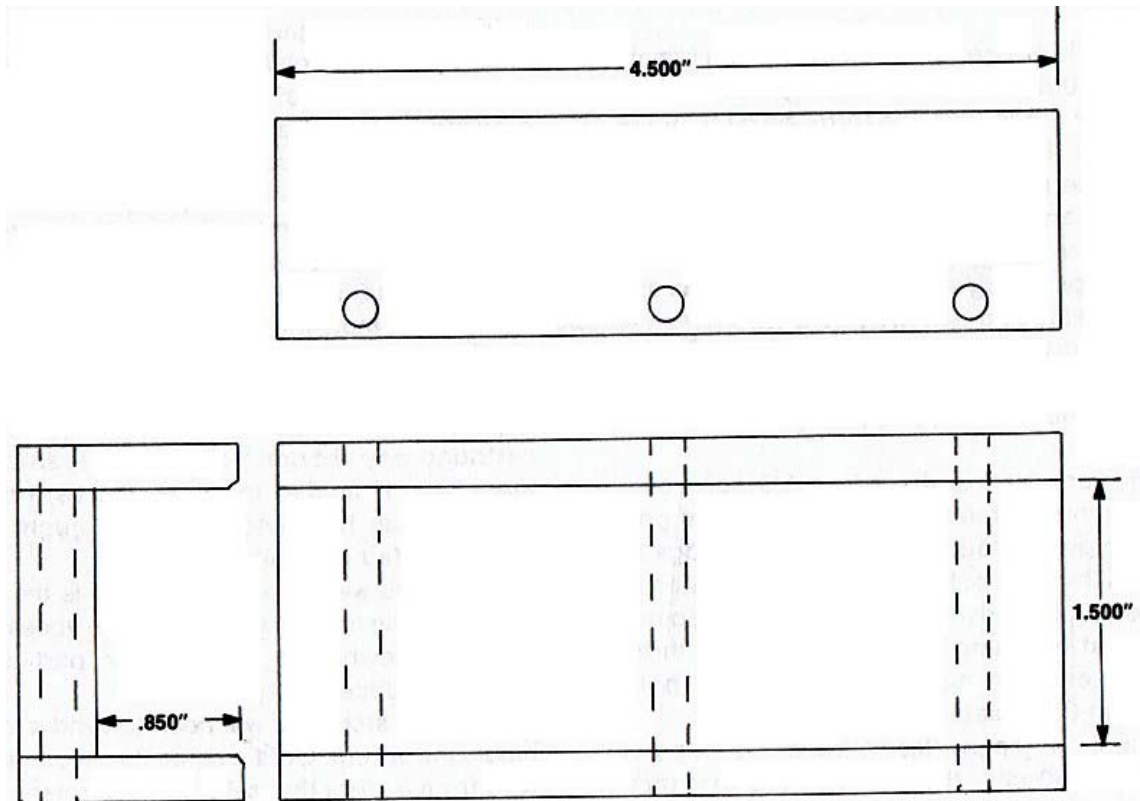


The female die can be made in one piece, but is much easier to build in three sections. These consist of a center section .455 inch wide, an inner or top side shaped to a concave radius, and two sides welded, bolted, or riveted to the center section. The male forming die fits into the female die exactly with .030 inch clearance on each side and the front (rounded) edge. This allows for the thickness of the sheet metal blank plus another .005 inch clearance in accordance with the dimensions shown in the drawings. A 3/16 inch hole is drilled at each end of both dies exactly on center to allow for guide pins to hold both the blank and both parts of the die in the proper relationship. These two holes are drilled 3.800 inches between centers and a guide pin at least 2.0 inches long made for each.

Bevel the top edges of the female die slightly, and polish them smooth since this surface rubs across the sheet metal as the dies are forced together. Use a press for this step if one is available. A large vise can also be used, as can a truck jack when a suitable frame is made to support it.

Coat both dies lightly with oil, and insert the guide pins into the male die. Place the magazine body blank on the pins. Once the guide pins are started into their holes in the female die, the magazine is ready to be pressed into shape.

It will be necessary to place a spacer on top of the male die slightly shorter than and between the guide pin holes to permit the male die to fully seat while clearing the guide pins.

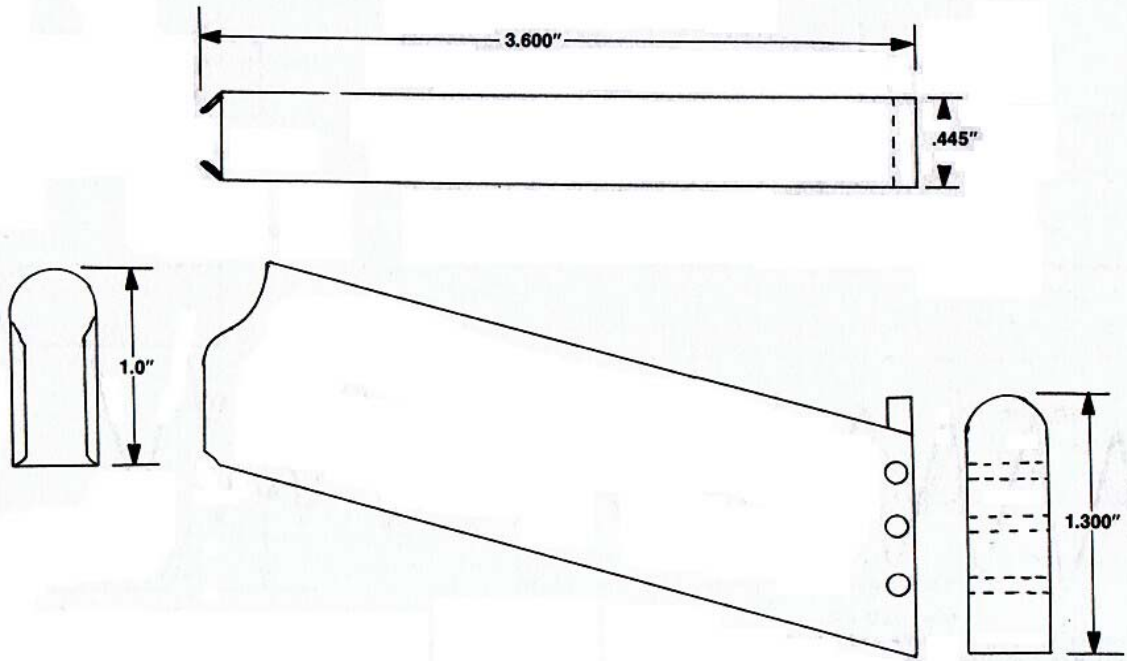


DIE TO FOLD & FORM REAR FACE OF MAGAZINE BODY

After the male die is pressed completely into the female die, the front and both sides of the magazine will be formed. Remove the guide pins. To form the back of the magazine body, the flaps of sheet metal left projecting above the female die must be folded over and fastened together. As shown, another three-piece die is assembled to fit over the sides of the female die. After that die is in place, swage the flaps flat against the top of the male die, and remove the male die by pushing it out of the magazine.

The back is fastened together by soldering, riveting, or brazing. My own were silver soldered. The tabs for the guide pin holes are then cut off, and the lips at the top of the clip bent inward.

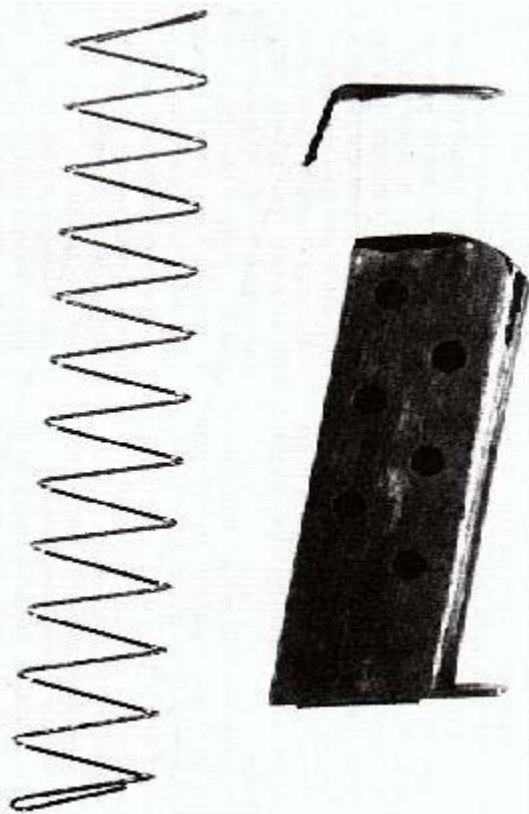
Cut a magazine floor-plate to shape from 1/8 inch stock. Make it long enough to extend past the front of the grip frame when it is in place. Round the plate's front edge to the same radius as the front of the magazine, and fasten in place by silver soldering or riveting. Do not use soft solder here! I also suggest fastening the floor plate with three 1/16 inch pins inserted in holes drilled through both magazine body and floor plate and riveted in place.



MAGAZINE

Build the .22 and .32 magazines to the same external dimensions as the .380 clip, thereby insuring that they interchange in the frame. Their inside widths should be reduced to .360 inch for the .32 and .250 inch for the .22. The easiest way to do this in the home workshop is to solder (sweat) or glue (epoxy) a spacer to the inner wall on each side to reduce its inside width to the proper dimensions. A template of the correct shape is included in the drawings. Also note that the lips at the top of the second two magazines must be left slightly longer so that when bent inward they will retain the smaller cartridges. "Followers" are made by the same procedure for all three calibers, the only difference being the width and the size of the radius at the front. Make these from sheet stock about 1/16 inch thick and just narrow enough to slide freely between the walls of the magazine body.

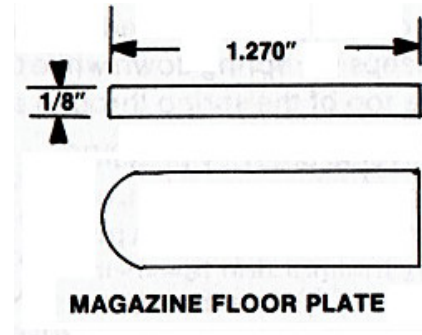
The angle formed by the tail which is bent down is important here. If it is angled too much, the nose of the last cartridge may not ride high enough to strip freely from the magazine. If angled too little, the cartridge's casehead may not ride high enough to be caught by the breech block and fed into the chamber.



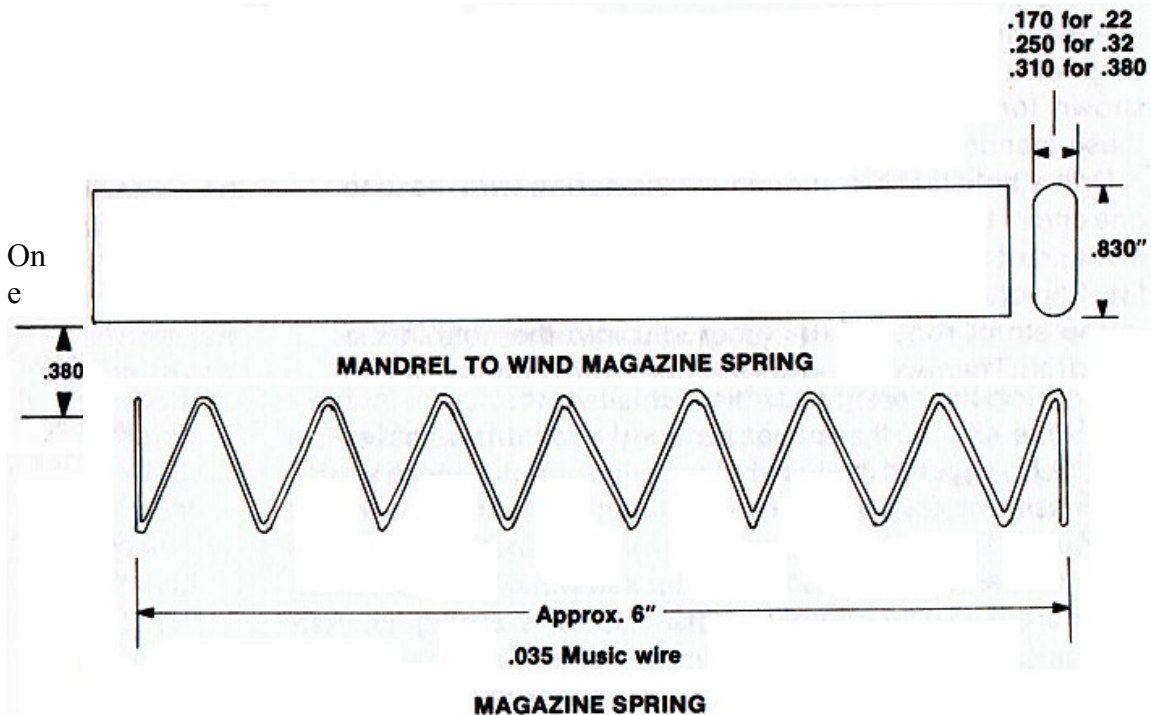
Critical as well to proper feeding is the angle at which the magazine lips are bent. It may be necessary to re-bend these somewhat to

make your particular gun feed cartridges dependably.

After this step, you will need to wind a lozenge-shaped magazine spring. Obtain some three foot lengths of music wire from a store that sells model airplane supplies. Each three foot piece is slightly more than enough for one spring. Try to get the 20 gauge diameter wire which is supposed to measure .0348 inch or just about .035 inch. If no such spring stock is available, it will be necessary to straighten out an existing spring and rewind it in the proper shape.



A mandrel is made by grinding or filing a radius on each edge of a rectangular steel strap cut to the dimensions shown for each caliber. The springs are wound around these mandrels. Drill a hole just big enough for the spring wire close to one end of the mandrel. Drill another hole that size close to one end of a piece of strap iron about the size of a ten-inch file. Slip one end of the spring wire stock through the hole in the strap iron and the other end into the hole in the mandrel. Then wind the wire around the mandrel, using the strap iron to keep enough tension on the wire to wind the spring strongly and evenly. When completed, a serviceable spring will have from 13 to 15 coils and be approximately six inches long. Bend the coils apart after forming the spring to achieve this length.



side of the magazine body should have seven or eight staggered 3/8 inch holes drilled about 1/4 inch apart. These not only serve as a visual indicator of how many rounds the magazine contains, but also enable the spring to be compressed and held in place while the follower is inserted. To accomplish this step, the spring is first inserted into the magazine body. Then, using a screwdriver, punch, etc., the spring is compressed down into the magazine body far enough to allow the follower to be slipped into place. A punch or heavy wire inserted through one of the clip's top holes keeps the spring down while the follower is inserted over the top of the spring through the cut-out section just below the magazine lip.

Disassembly is done in reverse order by pressing down on the follower, and holding the spring down through one of the holes while the follower is pulled out from just below the magazine lips. When the tool holding the spring down is withdrawn then, the spring will be free to be removed.

Chapter Four

Frame

The frame is a welded assembly consisting of a folded sheet steel upper section with its ends welded in place. To form the grip frame and magazine housing, steel front and aft sections are welded to the upper frame. The trigger guard, bent from a formed sheet metal strip, is also welded to the upper frame.



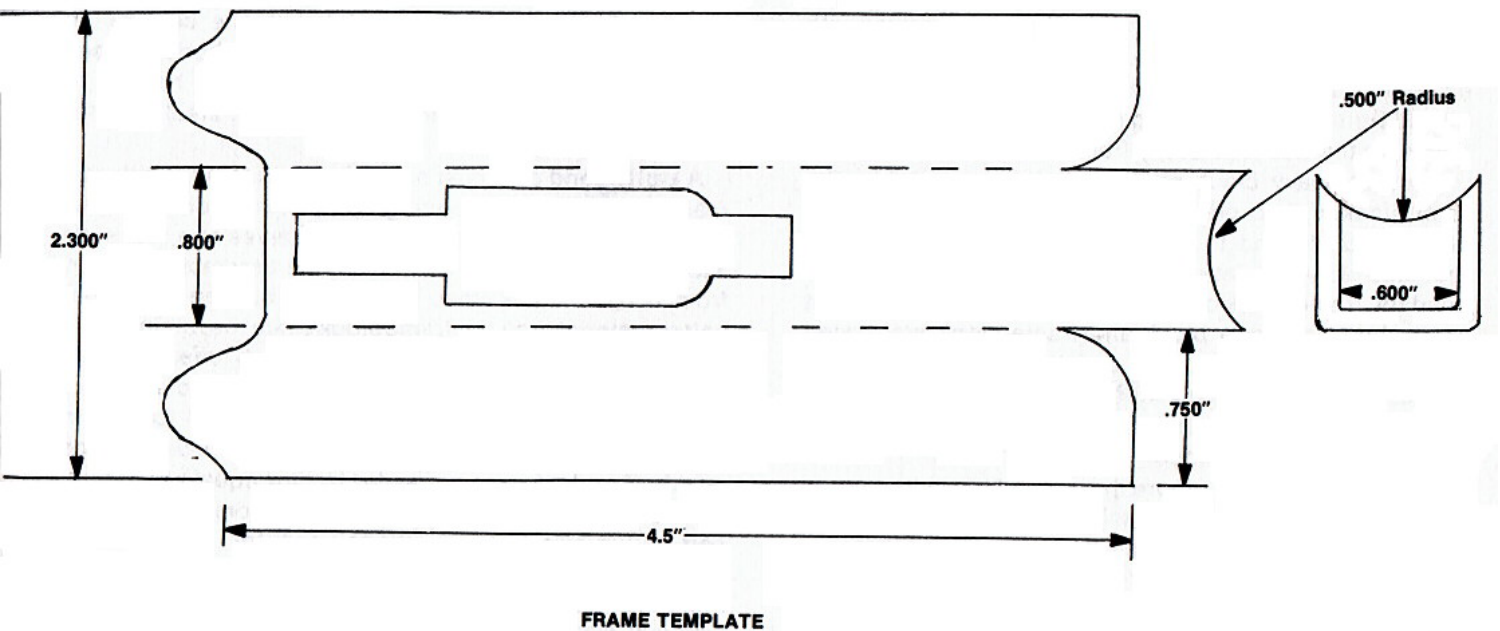
While I would prefer this entire frame assembly to be machined from one piece of solid steel, I have utilized the sheet metal assembly described here simply because it can be fabricated with hand tools and a simple welding set-up. A milled steel frame would require a vertical milling machine as well as several formed cutters, equipment beyond the

reach of most home workshop enthusiasts.

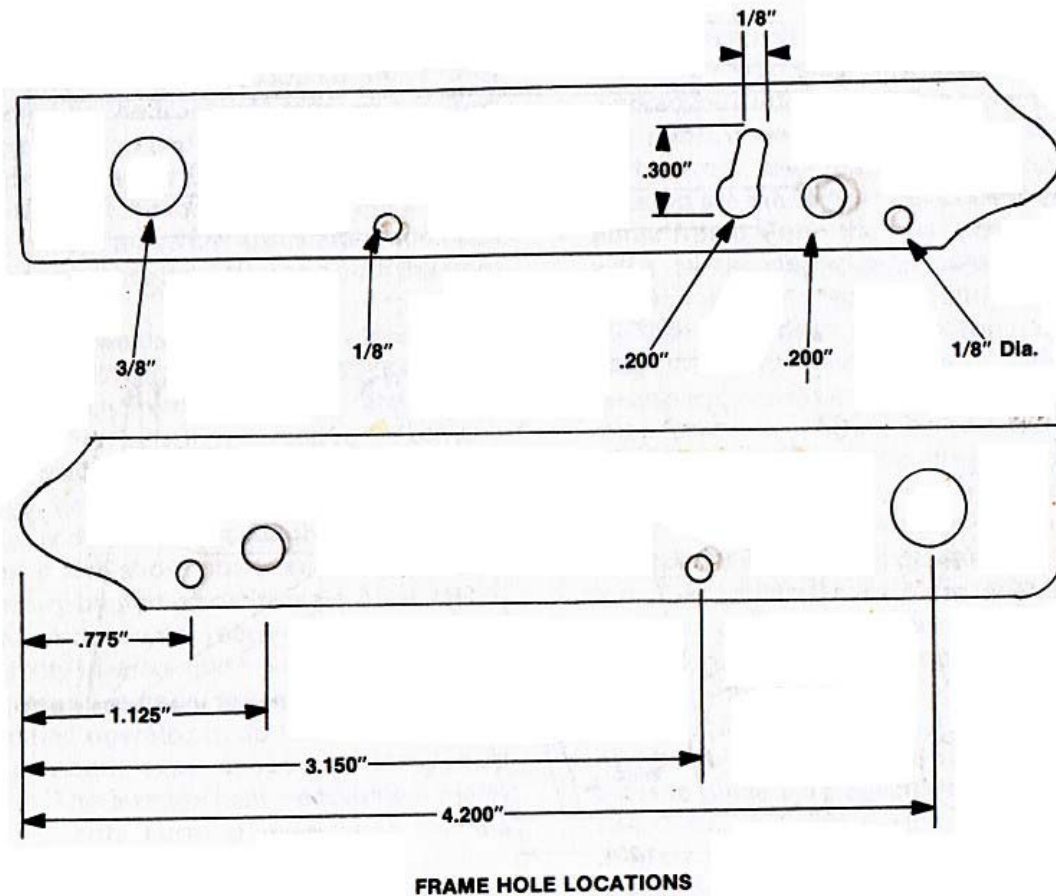
The sheet steel used to make the frame assembly should be at least .100 inch thick. Slightly thicker, or up to .150 inch, would be even better. Automobile and light truck

frames contain suitable material for the frame, although in most instances, it is slightly thicker than necessary.

Start the upper frame assembly by cutting a template to the shape of the given pattern. Transfer the pattern to the sheet steel and cut to shape by sawing and filing. Do not cut the openings for the magazine and trigger until after the forming operation, since the steel in these areas adds to the stiffness of the bottom during bending. While it is possible to use two side sections welded to a bottom piece to form the square-cornered, U-shaped cross-section required, it is considerably easier and the assembly is stronger when bent to shape from one piece.



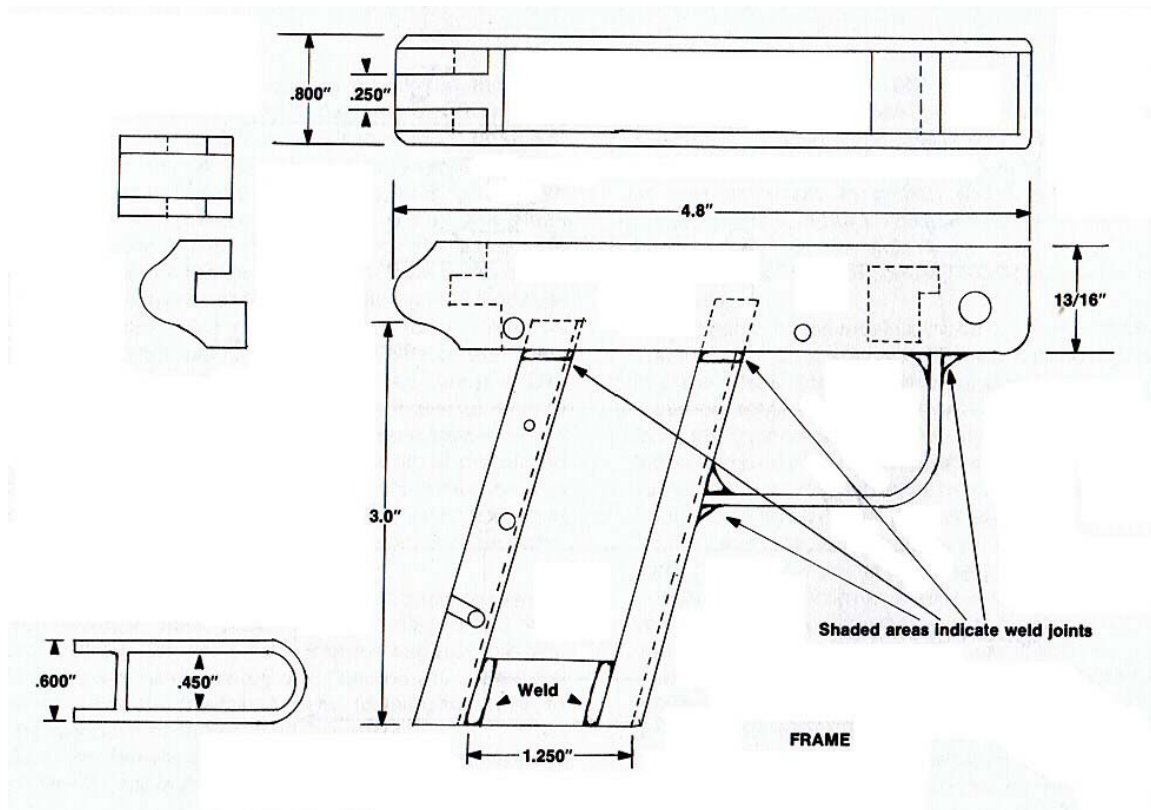
To maintain uniform inside dimensions, you must bend the frame blank around a form block. This form block is simply a block of steel with the same width as the inside frame, or .600 inch. It should be at least five inches long and .750 inch or more deep. A suitable form can be made from 5/8 inch x 3/8 inch bar stock by reducing the width a uniform .025 inch (that is from 5/8 inch [.825 inch] to .600 inch) and rounding the lower edges slightly.



Assuming that a big enough vise is available, the frame can be bent to shape by locating the middle portion of the blank directly over the .600 inch wide rounded edge side of the form block and clamping both pieces together in the vise. The upper side of the form block should be flush with the top of the vise jaws, with one side of the frame blank extending above it. Also, the form block should be supported from its under side, to prevent it from being driven deeper in the vise jaws as the frame blank is bent to shape.

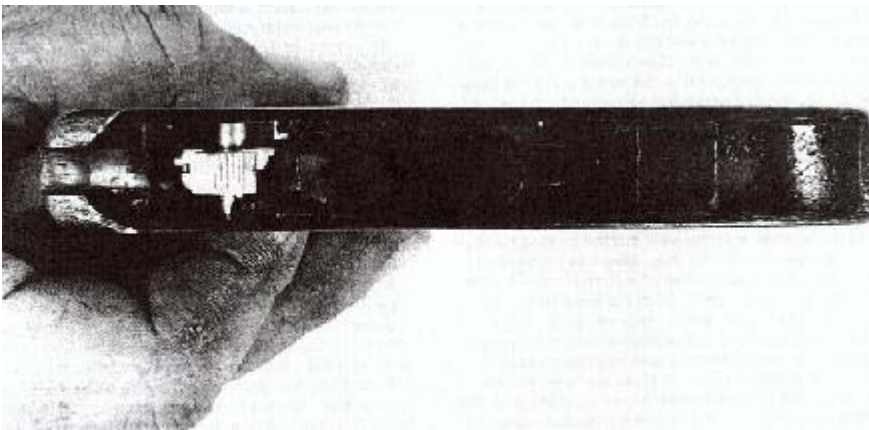
Another heavy block of steel slightly longer than the form block is then placed against the side of the frame blank, and allowed to rest on top of the vise jaw. Use repeated blows against this block with a heavy hammer to bend the frame blank over. When the side is bent to a right angle, both the form block and frame blank are turned over, reclamped in the vise, and the other side bent to shape. The strip of metal extending from the bottom front is next bent to the contour of the front of the frame sides, and the two seams welded.

If you expect to build more than one of these frames, or if you want a more professionally finished job with straight, sharp corners on the frame, I suggest that you also make a female forming die. This die will accept the forming block and the frame blank, forming the frame to shape when squeezed properly together.



Make the female die just wide enough to accept the forming block plus the double wall thickness of the frame blank, plus another .005 inch to .010 inch for clearance. Bevel the inside upper corners of the female die slightly. A suitable female die can be made by welding or bolting two sides to a bottom section of the proper width, as was discussed in greater detail in the chapter on magazine manufacture. The exact same methods are used here except that the side material must be heavier to withstand the strain of bending the heavier steel used for the frame.

A slotted end cap must be made to slip into the extreme rear end of the frame opening, where it is welded securely in place. Make this plug, which also serves as a rear slide assembly retainer, and the front slide assembly retainer, from .600 inch thick steel. They should both be made from better material than the frame stock since the retainers are subjected to a great amount of shock each time the gun is fired. Farm implements like plow beams, disc and tiller frames, and drawbars contain excellent steel for use in these parts; and if you are fortunate enough to find a piece of a broken leaf from a crawler-tractor equalizer spring, you will have the very best steel available for just about any part of this gun that you care to use it for.



Bevel the edges that will be welded on both of these retainers, because

the welds must penetrate as nearly through the edges as possible. Using an electric arc welder, or heli-arc machine, and the smallest electrodes available (which are easier to use in the limited space available), proceed to weld the rear plug in place, welds are made around the bottom, back, and top on each side of the plug. Any welding on the front side must be confined to the retainers' extreme top and bottom corners to make sure the slot for the slide assembly is not interfered with.

Install the other retainer at the forward end of the frame in the same manner, except make the welds along the back side and at the top end across the bottom on both the front and back sides.

Many times when one welds small parts in place with an arc welder, pits and burns are left on the exposed surfaces which cannot be entirely removed. These are usually made when the arc is first struck. A carbon rod, such as a dry-cell battery electrode, can be clamped adjacent to the seam being welded, and the weld started by striking the arc on this carbon rod. Not only does this trick help to prevent blemishes, it also allows the operator to see what he is doing at the very beginning of the weld. Neat, clean, solid weld joints and seams require quite a lot of experience and ability to accomplish well. Unless you are an experienced welder, I strongly urge that you obtain the services of a qualified operator to do this welding. Here again, try to find someone experienced in welding small parts and thin steel. The average heavy-equipment maintenance welder will only burn up your more delicate assemblies.

Scribe a center line on the frame's bottom side and lay out the openings for the magazine, trigger, and hammer as shown on the diagrams. When precisely located and marked, drill interconnecting holes along these openings, and remove these sections of the steel. Finish with files.

The front and rear uprights forming the magazine housing are made from the same sheet steel as that of the upper frame. Form the front part to an inside radius that will allow the magazine to mate closely with it. One good way to make this radius is to turn a section of drill rod to the same diameter as the rounded front side of the magazine, and bend a strip of sheet steel around it. If necessary, construct an outside forming die by drilling out a 3% inches long section of discarded rifle barrel to the correct diameter, then cutting the barrel in half lengthwise. This will give you a rounded trough into which the sheet steel strip can be force-formed to shape.

Make the rear section of the magazine frame in the same way, except that here a rectangular inner opening is required with an inside width of .450 inch. This can be formed to shape in the same manner that the upper frame was, with the aid of forming dies. It is also practical and safe to make this rear section by welding two sides to a middle strip. Allow a lip to extend forward on each of the sides to guide the magazine body. If the welding method is used here, do it from the inside rear, since square, smooth corners must be preserved on the sides adjacent to the magazine body.

The front section is next clamped in its place with its upper end extending into the upper frame. Weld this piece to the upper frame, around its front and sides, both inside and out. Then the rear section is placed in position and welded. That step is most easily accomplished by placing the male forming die from the clip assembly procedure inside the rear magazine housing section. Use this as a spacer while the rear section is tack-welded in place. It can then be removed and the welding completed. A short section of steel is also welded between the front and rear sections on each side at the extreme lower edge. These serve as braces and spacers for the magazine opening.

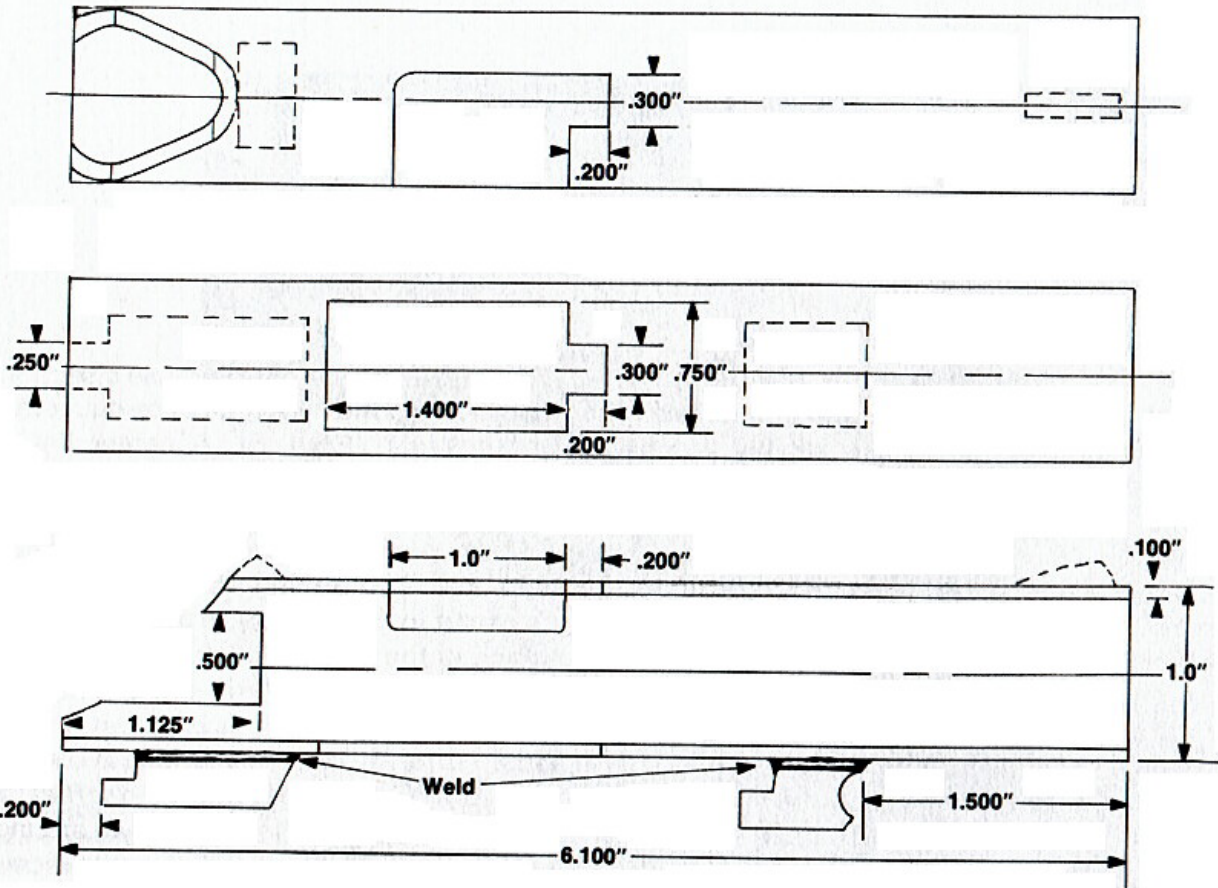
Cut a strip of the same sheet steel used in the frame assembly for the trigger guard. It can be .375 inch to .500 inch wide and 2.750 inches to three inches long. Bend to approximately the shape shown and weld it in place on the frame. Should these welds be built-up on both sides, a rounded fillet can be formed of them with a round file. Properly done, this step considerably improves the finished appearance of the pistol.

All welded joints and seams are ground and filed to a contour which blends into the shape of the frame. The inside of the magazine opening must be smoothed and free from burrs and ragged edges. Poor finishing here will prevent proper seating of the magazine. The sides and ends of the top of the frame are filed to the same radius as the receiver, permitting a close-fitting joint between receiver and frame. After the receiver assembly is completed, it can be fitted to the frame by spotting and filing.

Chapter Five

Receiver Assembly

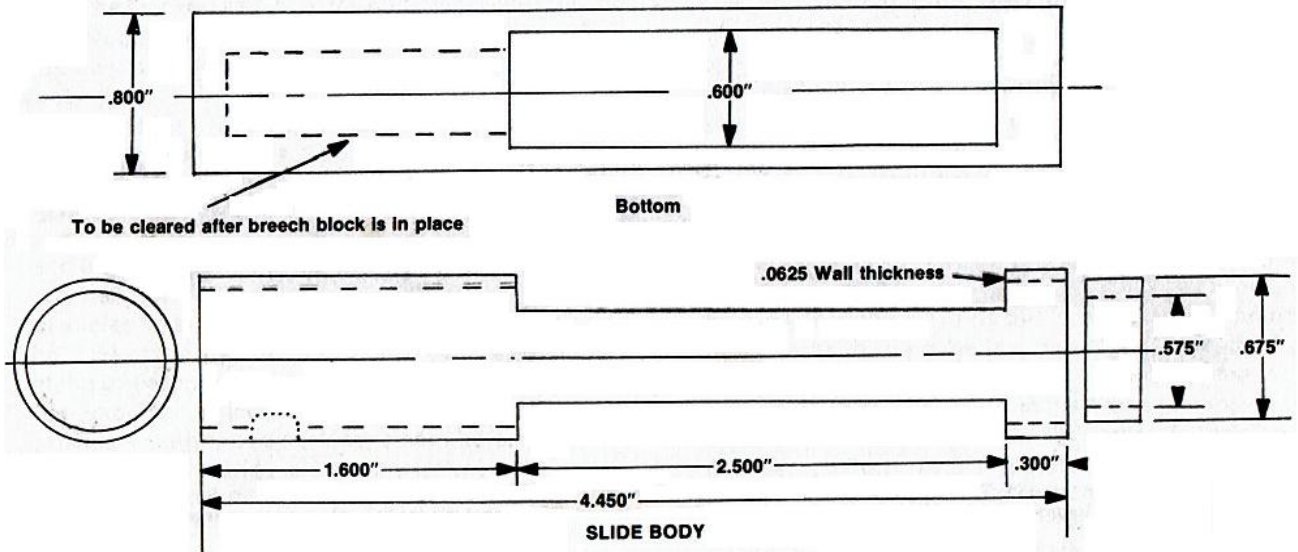
The receiver assembly is a self-contained unit composed of an outer body (referred to as the receiver), an inner sliding assembly (the slide) containing a breech block, firing pin, and extractor, a barrel assembly, recoil spring, and barrel retaining nut. Both the receiver and slide body are made from seam-less steel tubing, if available. Many light aircraft engine mounts are made of steel tubing suitable for these parts, as are motorcycle frames, certain automobile steering mechanisms, boiler pipe and other high-pressure pipe. A section of 16 gauge shotgun barrel is suitable for use as the slide body. The dimensions shown in the drawings and given in the text were improvised in accordance with the sizes of material available to me when I built the prototype gun. The dimensions given here should be improvised to coincide with whatever size tubing is available to you. If such is the situation, be certain that the inside diameter of your slide body is of sufficient diameter to clear the barrel and recoil spring.



RECEIVER

To construct the receiver, use a section of tubing 6.100 inches long, one inch in outside diameter, and with a wall thickness of .080 inch. A center line is laid out and scribed on the top and bottom and on both sides of the tube, dividing its length into four equal quarters. These center lines are easily marked if you have a metal lathe to use by placing a sharp-pointed lathe tool exactly on center in the tool post of the lathe. Center the section of tubing in the lathe's chuck, with the tail stock's center in the opposite end. With the pointed tool bit digging lightly into the tubing, it is drawn lengthwise along the lathe carriage, thereby marking a clean, straight center line. The tubing is rotated 90 degrees and the process repeated until all four center lines are marked.

The ejection port is laid out on the receiver tube's upper right side. Its front edge is 3.150 inches from the front or muzzle end, and its bottom edge .200 inch above the center line. Make it one inch long and .600 inch wide. That should be ample to allow the empty cases to eject without interruption. Also, cut out a portion on the tube's bottom side, to clear a space for the magazine. The front edge of this slot is located 3.200 inches to the rear of the front edge. When finished, the space must be .460 inch wide and 1.500 inches long, centered on the bottom center line.

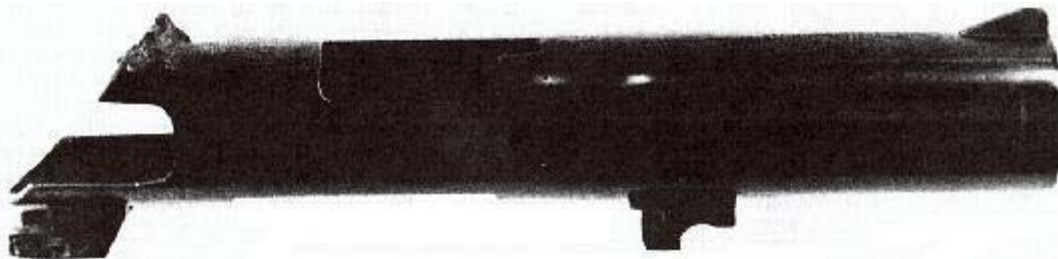


Two slots are cut out next, centered on the three and nine o'clock center lines, 1.100 inches deep by .500 inch wide, measured from the receiver's rear edge. The raised

checkered portion of the slide will rest in these slots. Shape the receiver's rear end to the slightly concave angle shown in the drawings, primarily to streamline and improve the appearance of the finished weapon; the exact shape is not too critical.

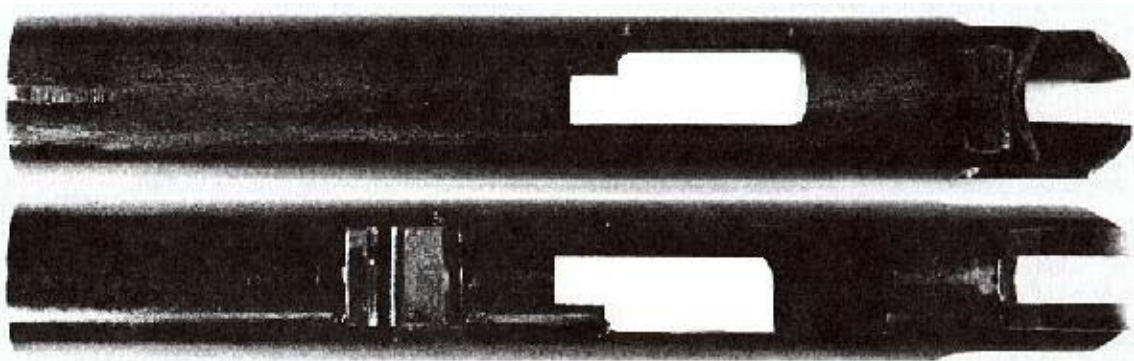
A pair of retaining lugs must be shaped from bar stock and welded in place centered exactly on the bottom line. Both lugs are .600 inch wide (which is the inside width of the frame) and shaped as shown in the diagrams, except that enough extra material is left on the front side of the forward lug to allow a hole to be drilled completely through both sides of the frame and the lug. Clamp both assemblies together when drilling this hole.

The
pist
ol's
take
dow
n

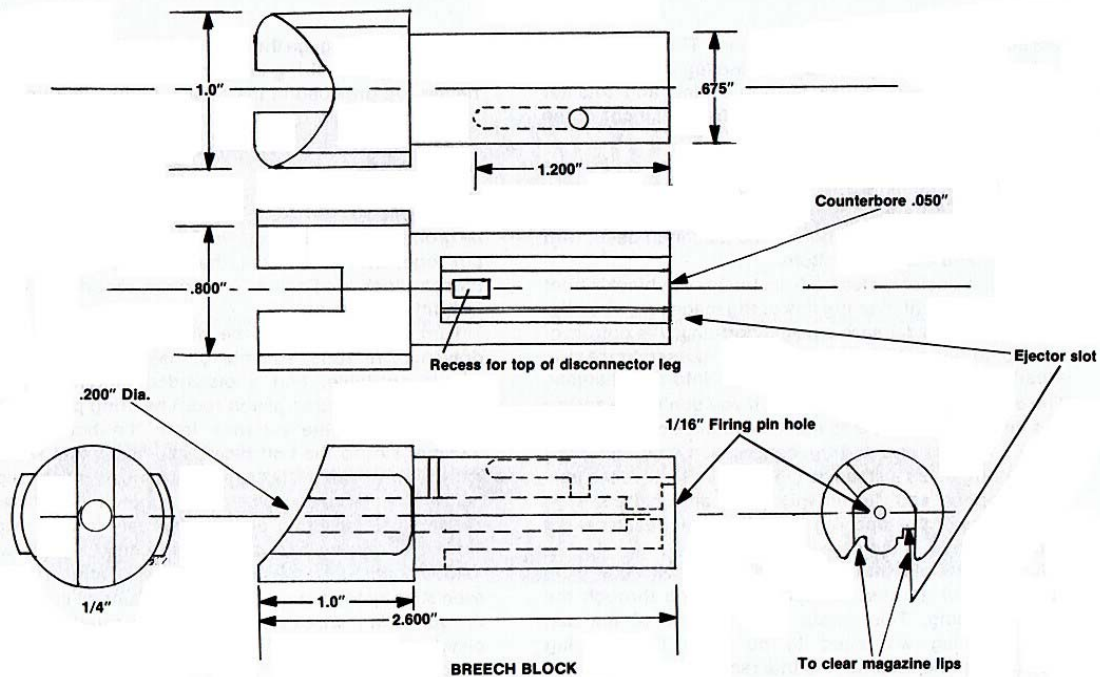


latch fits in this hole, and if the front portion of the front lug is removed prior to drilling, the drill will crawl or drift, causing misalignment. After this step is completed, trim the front of the lug by sawing and filing. The rear lug is shaped to its finished size before installation except for the notch at its extreme rear, which is left slightly undersized to assure a close fit. Be sure to bevel the upper edges of the lugs before welding them, so that the welds penetrate completely through to their centers. If at all possible, use a heli-arc welder here. These lugs take a considerable shock when the pistol is fired, so the lug welds should be as strong as possible.

A discarded shotgun barrel in either a 16 or 20 gauge is a good source of tubing to build the slide body from. Cut a six inch section of the barrel, beginning just forward of its forcing cone. The barrel is sufficiently thick there to permit lathe-turning the barrel to a uniform outside diameter. If the 16 gauge barrel is used, it will have an inside diameter of around .662 inch or slightly larger than required. The 20 gauge barrel, on the other hand, has a bore diameter of about .615 inch and will require some slight reaming. Turn a steel collar to fit inside the front of the slide body. Make it .300 inch thick and bore the inside to a diameter just larger (.005 inch -.010 inch) than the pistol's barrel diameter.



A section from the chamber end of a barrel to a '98 Mauser or .03 Springfield works very well for this collar. Since the 30/06 or 8 mm chamber is already nearly a half- inch in diameter, it doesn't require much reaming to make the pistol barrel slip into it. Then the outside of the chamber section is turned to the inside diameter of the slide, and cut to the proper thickness. The collar will be silver soldered and pinned in place eventually, but don't do it yet. The finished weight of the complete slide must be between six and eight ounces to assure proper operation, and you may have to add or remove weight from the slide assembly.



The breech block (or bolt) is made from a piece of one inch diameter round stock 2.600 inches in length. Use good quality, tough steel for it. An automobile axle is quite suitable. Turn the rod's forward end to the inside diameter of the slide body, and 1.700 inches long. Its rear end is left the full one inch in diameter, but the top and bottom are ground and filed to the same radius as the forward end, leaving an "ear" on each side of the breech. These ears are the same diameter as the outside of the receiver. Their size should be .500 inch wide by .700 inch long, centered on lines at the three and nine o'clock positions. Checker or groove the ears' outer surfaces, both for appearance and to provide an easily gripped surface, since the ears are the means by which the slide is manually retracted.

A counterbore is drilled into the face of the breech block. Make it .050 inch deep, and .006 inch to .010 inch larger in diameter than the maximum rim diameter of the cartridge this particular slide is made to accommodate. For the center fire cartridges, drill a hole for the firing pin in the exact center of the counterbore. On the rimfire model, the hole must be drilled just inside the rim of the counterbore, preferably in the twelve o'clock position.



Finished Slide Assembly With Recoil Spring In Place



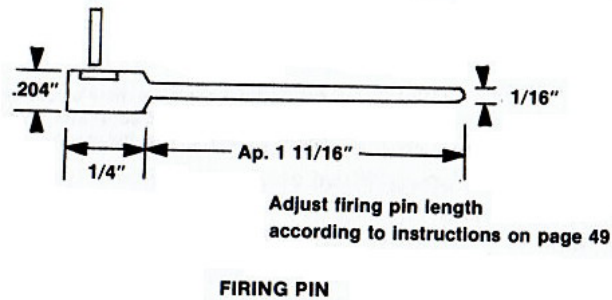
Drill from the counterbored end with a 1/16 (.0625 inch) bit to a depth of at least .400 inch. Do this drilling operation with the breech block chucked in a lathe if possible, with the drill held in the tail stock chuck. After the small hole is drilled from the bolt face end, the breech block is reversed in the chuck, and drilled from the rear end with a number six drill to a depth of 2.350 inches. If the drilling is done slowly with a properly sharpened drill and sufficient lubricant used, both holes will line up on the center line. Polish the inside of this hole to make it as smooth as possible, since the firing pin fits into it. If this hole is not properly finished, the firing pin will bind. Fine sandpaper or emery cloth wrapped around a small rod and held against the walls of this opening while the breech block turns in the lathe is a reasonably good method of polishing. You may have to stay with it a long time.

A 1/8 inch hole is bored in the bolt face just inside its outer diameter, 30 degrees left of top center (in the eleven o'clock position). Drill this hole 1.200 inches deep and parallel to the body of the breech block. .600 inch back from the bolt face and at a right angle to the hole just drilled, bore a hole .250 inch deep directly into the bolt body. A slot for the extractor is now filed from this hole forward, using the lengthwise hole as part of the slot.

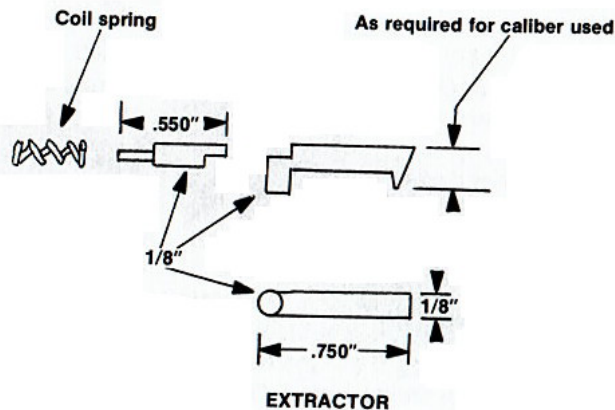


Close-Up Of Extractor

The slot should be just over 1/8 inch square. The extractor will rest in the slot, along with a retaining lug in the last hole (.250 inch) drilled, and a tension spring and retainer positioned in the remaining portion (or .600 inch) of the lengthwise hole. Cut a slot for the hammer out of the rear end of the breech block, centered on the top and bottom center line. Its dimensions are .260 inch wide (to clear the .250 inch thickness of the hammer) and .550 inch deep, with flat sides and a square bottom. A trough or slot is cleared from the breech block's front bottom side, to fit over the lips of the magazine when the gun is assembled. Leave a raised portion in the bottom of this slot to ride between the magazine lips, serving to strip a cartridge from the clip and push it into the chamber.



The easiest way to form this slot, if you don't have access to a milling machine, is to mark its outlines on the breech block's forward end and the bottom side, and drill interconnecting holes just inside the outline. Remove the bulk of the steel and finish with files and chisels. The dimensions of this opening are different for each caliber and are shown in the drawings.



A small recess within this raised portion allows the upper end of the disconnecter leg to ride through the frame opening. This recess, and the top of the disconnecter leg will need to be hand fitted during assembling and testing. It is this recess that permits the trigger bar to engage the sear, and pull it forward when

the trigger is pulled, firing the gun. Basic dimensions for this recess are provided in the breech block diagrams.

The bottom lip of the counterbored bolt face is filed away until the cartridge head can slide freely upward into the counterbore. As shown in the illustrations, the rear end of the breech block is sloped with a slightly concave shape. This should be ground and filed almost to size and left unfinished until put together. At that time, the receiver, slide body, and breech block are finished all at once, assuring a smooth, well-fitted assembly.

Turn a firing pin to the dimensions shown in the drawing. Drill rod is suitable for making the pin. If no drill rod is available, find a discarded automobile shock absorber, and use its piston rod. The firing pin should be no longer than the distance from the bottom of the hammer slot to the bolt face. This means that when the hammer is down, the firing pin is just flush with or slightly below the surface of the counterbored bolt face. Be certain that the firing pin fits precisely in this respect, since it is only then possible to safely carry the pistol with a loaded chamber with its hammer down. If the firing pin is even slightly too long, a blow on the hammer could cause the gun to fire. When the pin is properly fitted, though, the pistol can be dropped, thrown, or hammered without danger of it firing.

Bore a 1/8 inch hole just forward of the hammer slot for a firing pin retainer as shown in the diagram. Place a close-fitting rod inside the firing pin hole prior to this step. The rod will guide the drill and prevent it from wandering toward the unsupported side, as it will if the firing pin hole is left unplugged. After drilling the hole, cut a corresponding slot in

the side of the firing pin to accommodate the retaining pin that keeps it in place. You will need a coil spring small enough to just fit into the firing pin hole without binding; the spring's inside diameter must fit over the body of the firing pin. The spring serves both to retract the firing pin after firing, and also to prevent it from jumping forward as the slide slams shut, perhaps firing the Sun without pulling the trigger. The finished spring should be about 1 1/2 inches long and have 24 to 30 coils of wire, .022 inch to .026 inch in diameter.

Start with a longer spring than is required, and cut off a bit of it at a time until it performs correctly. Saw and file the extractor to shape from 1/8 inch flat stock. A strip cut from an annealed automobile leaf spring works well for this piece. A small coil spring, .700 inch long, that fits freely inside the lengthwise hole at the end of the extractor slot is used behind a follower turned from drill rod (a broken 1/8 inch drill stem is just right). A flat is

ground on one side of the follower, providing spring tension on the extractor and also retaining it in place. Weigh all of the parts together that go into the slide assembly. Again, they should weigh between six and eight ounces. If they are within these weights, the bushing at the forward end and the breech block at the rear end can be silver-soldered in place. Use pins or screws in conjunction with the silver solder if you do not trust silver-soldered joints completely. As I've said before, I do not.

Beginning directly behind the bushing and ending just forward of the breech block, cut a lengthwise slot .500 inch wide from the top and bottom sides of the slide body. The ejector clearance cut is now made, as is the magazine slot. This last slot is simply trimmed from the bottom of the slide, until the cut-out section and raised portion in the bottom of the breech block is fully exposed. Steel is also removed as needed from the upper right side to provide an unobstructed opening for the ejection port.

After the receiver assembly is completed, it can be fitted to the frame by spotting and filing. Make sure that the front and rear retainers fit properly as well as the joint between frame and receiver. When properly mated together, a hole for the takedown lever is drilled completely through both sides of the frame and the front receiver lug. As usual, drill first with a smaller drill and finish with a 5/16 or .3125 inch which will be the correct finished diameter.

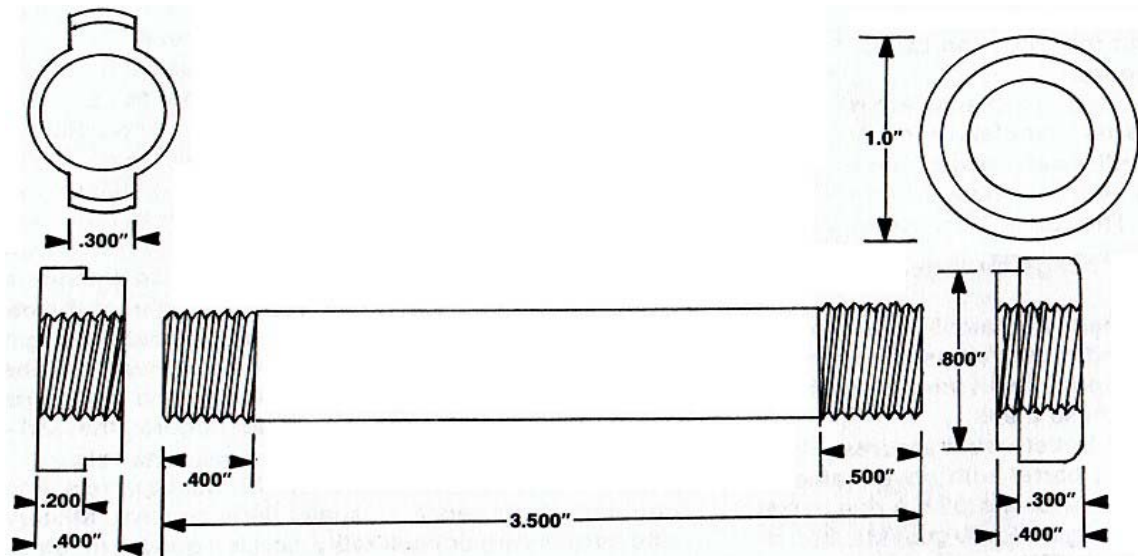
Sweat, glue or silver-solder spacer blocks of steel on each side of the frame where the trigger pin and hammer axis pins are located. The steel shims reduce the inside width to the same width (plus a small clearance) as the hammer and trigger. Again, I recommend silver-solder for this step. Place the steel spacers in their positions with the help of the paste-flux, with a spacer block of the same thickness as the hammer/trigger between them. The areas heated with an acetylene torch enough to flow the silver-solder, then allowed to cool. Remove the spacer blocks, and drill the holes for the hammer and trigger pins. Cut the slot in the lower rear of the magazine housing for positioning the combination magazine catch and hammer spring guide. Do not drill the grip screw hole until the grips are finished.

Put aside the frame-receiver assembly now until a barrel assembly is completed as described in the following chapter.

Chapter Six

Barrels

Obtaining a suitable barrel is relatively easy at this time, but this situation could change for the worse in the near future. .22 barrel blanks are readily obtainable from any of the barrel manufacturers. And most gun shops sell used .22 rimfire barrels at a cheap price. A 3% inch section of barrel is all that is needed for these plans. The .32 ACP jacketed bullet usually measures .311 - .312 inch, which means a barrel with a groove diameter of .311 inch will serve nicely for the .32 ACP. A rifle barrel from a .303 British, 7.65 Belgian (or Argentine) Mauser, or 7.7 Jap are of the proper correct groove diameter to serve beautifully for the .32 ACP. As with the .32, the .380 designation does not indicate this load's exact bullet diameter. Like most other .38's, the Bullet actually measures .355 inch. So any barrel intended for the .35 caliber rifle cartridges--the .357 magnum, or 9mm Luger--is suitable for use as the barrel for the .380 pistol.



While many commercial .380 pistol barrels have a groove diameter as large as .362 inch, the use of bullets larger than .355 inch is usually not possible. A larger diameter bullet will bulge its case to the extent that the cartridge will not even enter the chamber. So nothing is gained by having a groove diameter larger than the .356 - .357 inch, which is standard in commercial barrels.

The internal dimensions of .22 caliber barrels and commercial barrels are usually fairly consistent. Military rifle barrels vary considerably, so it is a good idea to "slug" any such barrel before you use it, to determine its exact groove diameter. Do this by first finding a lead slug slightly larger than the groove diameter of the barrel in question. Drive the slug through the bore from chamber to muzzle, using a blunt-ended rod. Catch the slug as it is pushed out the muzzle end, or let it fall on something soft. Dropping it on a hard surface

may deform it, spoiling any chance of an accurate measurement. By carefully measuring the slug with a micrometer or vernier caliper, the barrel's exact bore and groove diameter can be determined.

Also,
the rate
of twist
of a
prospec



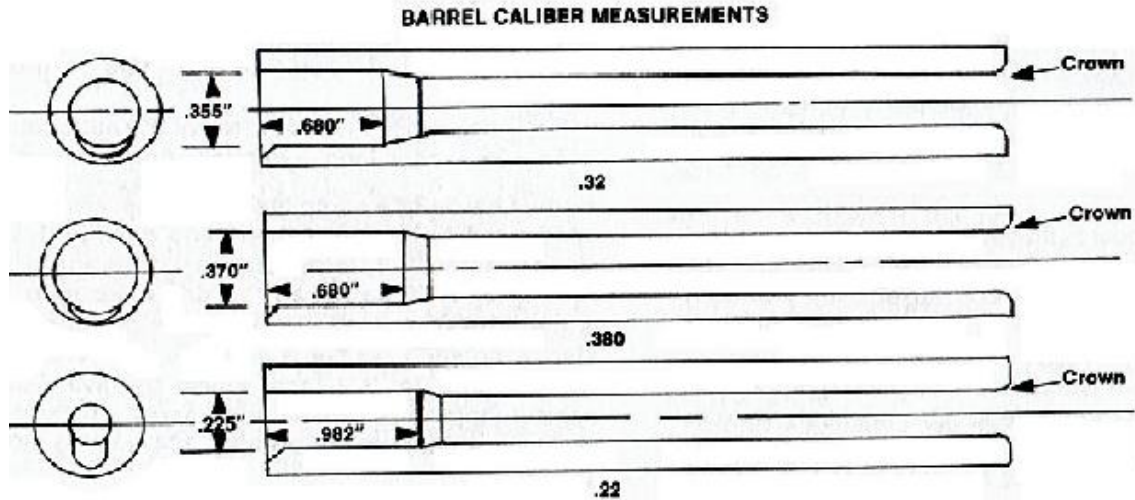
tive barrel can be easily determined. Insert a tight fitting brass brush or a patch through the slotted end of a cleaning rod, and push it into the barrel's bore. Make a mark on one side of the rod, then push or pull it through the bore until the mark on the rod rotates one complete turn, measuring the distance that the rod traveled to complete one revolution. This figure will indicate the barrel's rate of twist.



In other words, if you moved the cleaning rod ten inches to cause one complete rotation of the mark, your barrel has a twist of one turn

in ten inches. If you accept the advice of certain "experts," finding a barrel with the proper rate of twist could present a problem. Why? Because they believe that heavier bullets require a faster rifling twist than lighter bullets of the same caliber. Also, consider that the heavier bullet usually has a slower velocity than its lighter counterpart. These experts warn that a too-rapid rate of twist will result in bullets that spin erratically, or "yaw."

Checking a gun data book shows that the .22 long rifle, .32 ACP, and .380 ACP all "require" a rifling twist of one turn in 16 inches. But of the three, only the .22 barrel is readily available with this specification. All of the military surplus barrels previously recommended for the .32 ACP or .380 ACP have a rate of twist less than one in 16 inches, with a few exceptions. This means that one must either order this barrel especially from a manufacturer, or rifle it personally.



But before you go to the trouble, refer back to the data book's handgun section. Now let's make some interesting comparisons between the ACP's and Lugers. The statistics show that the .32 ACP with its one in 16 barrel uses a 77 grain bullet which travels at 900 f.p.s. The .30 Luger, on the other hand, uses a heavier 93 grain bullet traveling at a faster 1220 f.p.s., but has a barrel twist rate of only one in 9.85 inches! Statistics also correspond similarly between the .380 ACP and 9mm Luger. These figures suggest that the military surplus barrels suitable for use in the .32 ACP/.380 ACP designs presented here might work well after all. And this proved to be the case.

For my own .32 ACP barrel, I used a piece from a 7.65 Argentine Mauser barrel. It has a twist rate of one in 9.8 inches. My .380 ACP barrel is a section of .35 caliber commercial barrel, with a twist rate of one in 12 inches. Standard Remington 513T rifle barrel is used in my .22 pistol.

After my three home-made pistols were finished and assembled, a group of seasoned handgunners and I test-fired them for accuracy. At the same time, we also test-fired some comparable commercial pistols. When the tests were completed, we found that my home workshop guns were at least as accurate as the commercial models, and in some cases, even more accurate. I attribute this to the fact that the barrel and sights on my pistol design remain stationary, while the others did not use this design feature.

In the event that you cannot obtain a suitable length of barrel, or you feel that you must have a rate of twist that is not at hand, it will be necessary to bore, ream, and rifle your own barrel. One point I will repeat is that you must use the best steel possible for your barrel. Military rifle barrels are still probably the best source for your barrel, even though it will be reamed to a larger size and rifled with a different twist.

Surplus 7mm barrels can readily be reamed and rifled for the .32. Any of the .30, 7.65, 7.7, or 8mm barrels can be reamed and rifled to the proper dimensions for the .380.

Lacking suitable barrels to rework, you will have to make your barrel from "scratch"; i.e., a good quality piece of steel rod. Car and truck axle lengths are likely sources for good quality steel of this type, as are steering sector shafts, transmission shafts, and others. Don't try to use iron bolts or similar hardware. A weapon constructed from such material would present a definite safety hazard.

Sufficient instruction is given in these volumes to enable anyone capable of drilling, reaming, and rifling a useable barrel to do so. A couple of extra tips on this process

follow. First, since the finished barrel for the autoloading pistol is only 3 1/2 inches long, extremely long shanked drills and reamers are not required to make it. Barrel blanks should be at least four inches long, to allow any "bell mouth" to be removed when the barrel is finished. When drilling a barrel blank, either from an undersized surplus barrel or a completely new one, always start with undersized drills and reamers and enlarge this bore by using progressively larger diameter drills and/or reamers.

For the .32 ACP barrel, an "M" drill measuring .295 inch is the largest drill used if a reamer of the correct bore diameter (.303 inch) is available. The "M" drill is followed by a 19/64 inch reamer which should ream the bore to .2969 inch (or .297 inch). But that is still .006 inch too small, so another reamer must be found for the next step. If no such reamer is available, an "N" drill will bore the diameter to .302 inch. Finish by giving the bore a careful lapping to remove tool marks left by the drill to produce a satisfactory bore of .304 inch to .306 inch in diameter. For the .380 barrel, an 11/32 inch drill having a diameter of .3438 inch (or .344 inch) is the largest drill used and is followed by a .350 inch reamer. Here again, if no reamer is available, an "S" drill will bore it to .348 inch.

Lapping then increases the bore diameter to the required .350 inch, or slightly larger.

Finally, I again stress the importance of using sharp, properly-ground drills and plenty of lubricant. Be certain to feed any drill into the bore very slowly, using a tail-stock chuck in the lathe. Otherwise, the drill will make the bore oversize to begin with. If this is the case, you might as well start over, using the proper techniques as stated, and measuring carefully until the proper bore diameter is obtained. The barrel is rifled as described in Volume One.

After the barrel is rifled, the outside is turned to a smooth-finished diameter of 9/16 inch (.5625 inch), and cut to the finished length of 3 1/2 inches. Both ends are then threaded, either with a suitable die, or by cutting the threads in a lathe. The breech end is threaded the same, except to a length of .500 inch. These thread dimensions and the outside diameter of the barrel are used simply to enable the threading to be done easily with a pre-manufactured tap and die set. On the other hand, if the threading is done with a lathe, these dimensions can be varied to suit you. Do not reduce the diameter of the .380 barrel much. The thicker it is, the better.

A muzzle cap or barrel retainer is made from one inch O.D. round stock to the dimensions shown, and threaded to screw onto the barrel's muzzle. A retainer is also

made at the same time to thread tightly onto the breech end of the barrel. First, turn a single piece of stock (for both retainers) to the correct outside diameter. Bore this piece with a $27/64$ inch drill, then thread it with a $9/16 \times 18$ tap. One end of the piece is knurled, since it will be the muzzle cap. A lip is cut in the muzzle cap to fit inside the slide body, as shown in the diagram, and any excess steel trimmed off. Cut the breech end retainer to length from the remaining rod, and screw it tightly onto the chamber end of the barrel. The sides of this retainer are cut to the size and shape shown in the diagram.

The muzzle end of the barrel should be smoothly finished, and its inside edge rounded slightly or crowned. Obtain a finish-chamber reamer ground to the proper dimensions for the desired caliber. A chamber is cut in the breech end of the barrel deep enough to allow the breech block to just contact the breech end of the barrel, with a maximum length cartridge case or headspace gauge in the chamber. Round the lower edge of this chamber slightly to allow cartridges to feed smoothly into it from the magazine.

Suitable chamber reamers are available from reamer makers such as the Clymer Manufacturing Company and several others. Reamers can be made by turning drill rod to the dimensions shown for each caliber, then grinding and filing the body of this reamer blank to just under half diameter. After properly hardening and stoning its flat side as smooth as possible, the home-made chamber reamer is finished. Since it has only one cutting edge, it must be used slowly and carefully. But it will cut a serviceable chamber.

To complete the barrel assembly, find or make a recoil spring with an inside diameter of sufficient size to slip freely over the barrel, but small enough to fit inside the slide body, again without binding. Presently, suitable recoil springs are available at hardware stores. If this situation should change, suitable springs can be wound as described in Chapter Three. Wind the .380 spring from .0425 inch wire into 14-16 coils with an uncompressed length of 3 - 3 1/4 inches. Springs for the .22 and .32 can be somewhat smaller and lighter.

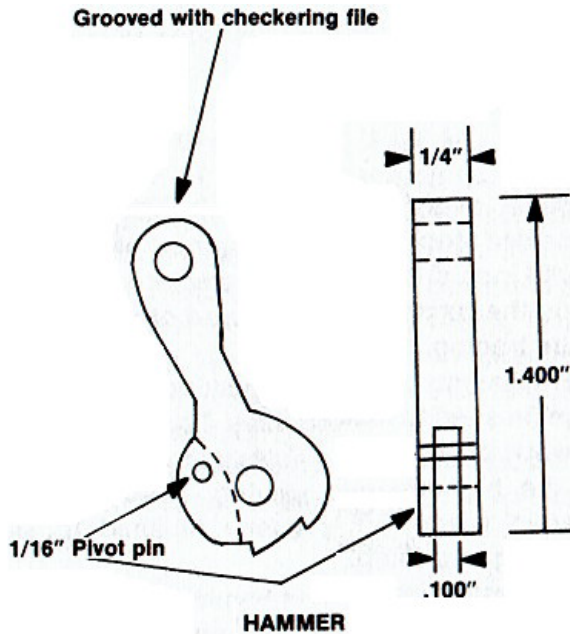
I suggest that you start with a spring that is longer than necessary, then cut to proper working length after test firing the gun.

Chapter Seven

Small Parts

The small parts necessary to complete the pistol are cut to shape from flat stock of thicknesses given in the diagrams. These parts include the hammer, trigger, sear, and a few others. A 2 inch x 4 inch section of spring leaf from a car or truck suspension is enough good quality steel for all of these parts. Chances are, that this steel section will require annealing to soften it. Otherwise it will be too hard to work easily. To anneal the section of spring leaf, heat it to a cherry red color and allow it to cool slowly, by covering

with ashes or sand. Probably the easiest way to do this at home is to build up a good sized wood fire and place the steel to be annealed in it. When the fire is burned out and the ashes cooled (preferably the next day), dig the steel piece out of the ashes. It will then be much easier to work with. This is one of the best ways there is to anneal steel, regardless of what equipment is available.



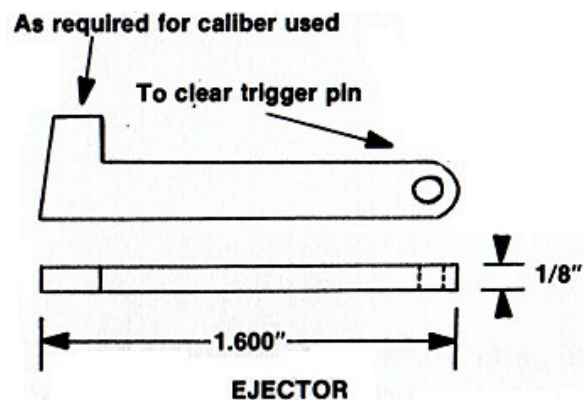
Begin to make the hammer by first drilling a hole for the hammer axis (or pivot pin) close to one corner of the annealed stock. Use a No. 15 drill for this hole, followed by a 3/16 inch drill. Use the hammer template as provided to trace the hammer's outline. Be sure both holes register while tracing. The hammer is cut to shape by making several saw cuts, then finished to exact size with files. To save time and a lot of work, drill interconnecting holes just outside the outline of the hammer instead of sawing. Result: a roughly shaped hammer, which is easily finished to size by grinding and filing. My design uses the rounded hammer spur common to most

pistols of this type. Its upper portion is checkered or grooved, so the thumb contacts a non-slip surface. Checkering files are available from Brownells's, Inc., among others. A 1/8 inch hole is drilled through the center of the rounded spur, and also counter-sunk deeply from each side, as shown in the diagrams. This is done both to improve its appearance and to reduce its weight. A .100 inch wide area is cleared from the hammer's lower rear center portion, to accept the nose of the hammer strut (see dia.). drill a 1/16 inch hole as indicated for the pivot pin

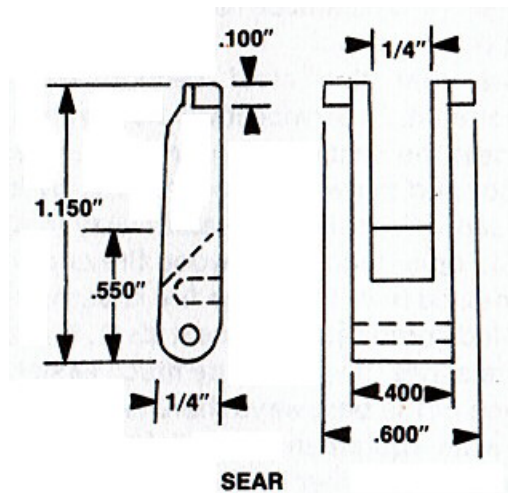
that fits into the trough in the hammer strut's nose.

Particular care should be taken to insure that the lower hammer notch (the full-cock notch) is stoned flat and square, and is at the correct angle. The upper or half-cock notch is grooved as shown. This extra groove allows the sear nose to engage deeply and positively. It serves as an additional safety, although my opinion is that such a weapon should either be carried with the hammer down, or at full cock with the safety engaged.

The trigger is made in almost the same manner as the hammer. Drill its axis pin hole and trigger bar hole just above it in the same section of steel. Use the trigger



template to trace its design, using the holes again for register points. Although it is possible to form the curve in the trigger by grinding and filing, it is much easier to cut it out straight, and then bend it to shape. Before the bend is made, the face of the trigger can be checkered. This is accomplished much more easily before the trigger is curved. The bending may deform the checkering slightly, so it may be necessary to "point" the checkering afterwards. Or you can groove the trigger longitudinally after bending, which is easier and no less functional. Drill a hole part way through the front leg of the trigger from its bottom side with a 3/16 inch drill. A small coil spring fits in this hole. The spring must fit without binding, and be long enough to positively return the trigger to its forward position. The exposed end of the spring bears against the frame. Again, start with this spring left longer than necessary, then cut off a coil at a time, trying it until it works satisfactorily. Remember the stiffness of this spring directly affects the pistol's trigger pull.



Make the sear from the same piece of annealed steel as the hammer and trigger. Cut it to the proper width first, leaving an extension as shown on its upper right hand side. The hole for its axis pin is drilled from one side, using a No. 31 drill followed by a 1/8 inch drill. A 3/16 inch hole for the sear spring is drilled part way through from the front. A small coil spring that just fits into this well is cut. Trim this sear spring until it forces the sear to engage with the hammer notches as the hammer is cocked. Be certain it is not too long, since this will increase trigger pull unnecessarily. The upper edge of the sear is shaped as shown, both for safety and for

smooth operation. It contacts the hammer notch, and must be absolutely flat and as smooth as possible. The rear edge of the extension on the sear's right side contacts the trigger bar, and must also be flat, square, and very smooth.

Smooth, flat surfaces on these parts are not easy to make, regardless of how much experience at it one has. So suggest using the following method, which is the simplest, most efficient one I know. Place the part to be stoned between two hardened flat pieces of steel (such as lathe cutting tools) in a vise. Allow the surface to be stoned to extend just above and parallel to the hardened pieces of metal. These pieces actually serve as guides. Rest the stone against the guides, and carefully begin stoning the part's surface flush with the guides.



Hammer

Continue until satisfactory shape and smoothness are attained.

The trigger bar and disconnecter are made in one piece from sheet steel at least .0625 inch (1/16 inch) thick and not thicker than .100 inch. Drill a 1/8 inch hole in the piece's forward end. Lay its shape out from this hole, using the template on page 72. The hook at the rear of this bar engages the sear extension, pulling the sear out of engagement with the hammer when the trigger is pulled. The forward edge of the hook is square and as smooth as possible, with five degrees or less of forward rake. Sloping the back of the hook to the rear allows it to cam over the sear extension when the trigger is released. Braze or silver-solder a .375 inch long pin made from 1/8 inch drill rod into the hole in the front end of the trigger bar. One end of the pin is flush with the outer trigger bar's edge, the body of the pin extending with its other end then through the frame, engaging in the hole in the upper end of the trigger.



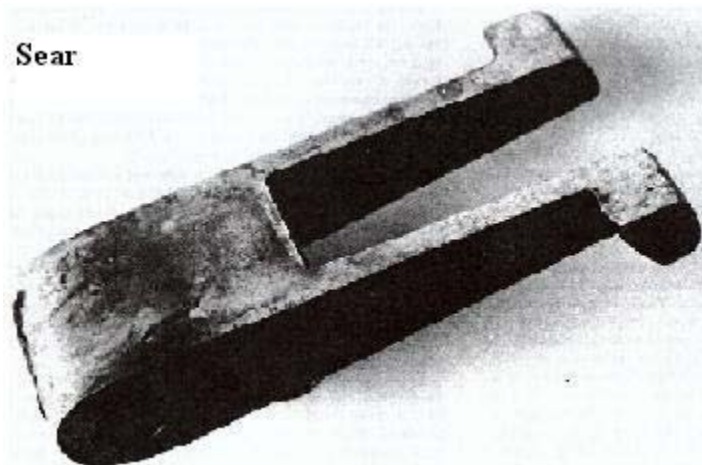
Axis pins for the trigger and sear are made from 1/8 inch drill rod. Use 3/16 inch drill rod for the hammer's axis pin. Drill stems from broken or worn drills of the proper size are suitable for such pins. They are cut to the same length as the pistol's frame width, and their ends crowned or rounded slightly. The grips will hold the hammer and sear pins in place in the frame, but such is not the case with the trigger pin. Since it has no retainers, at least one of the holes for this pin must provide a tight fit. If the frame holes are drilled with a No. 31 drill, the 1/8 inch pin should fit tightly enough.

At this time, fabricate the hammer strut to the dimensions given in the diagram.

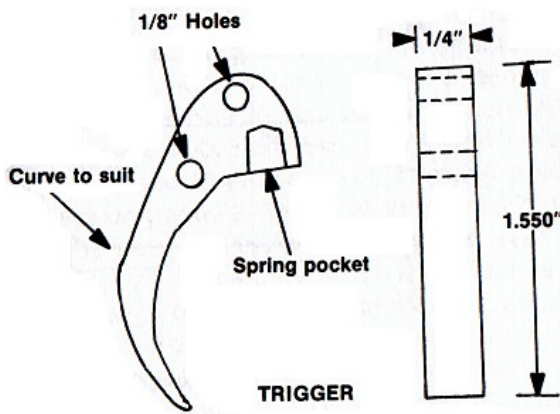
Make the takedown lever from 3/8 inch drill rod. Automobile valve stem is also suitable for this part. Cut the rod extra-long, since it will be forged at one end; if

too short, the rod's other end will not be cool enough to handle. To shape the takedown lever, a forging block is needed. One may be built by obtaining a piece of heavy, flat steel, thicker than the pistol's width. Drill a hole in this stock just big enough for the heated takedown rod to fit snugly into, and just deeper than the pistol's width. Heat the rod to forging temperature, and fit it into the forging block as far as it will go. Then, using a heavy hammer, forge and flatten the rod to a right angle.

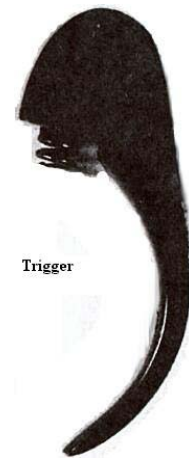
Do not attempt forging the steel after it has cooled to a dark red color; the steel may develop cracks or seams if so treated. To avoid this problem, just repeat



the heating operation. Complete the forging process by flattening the rod just over the hole in the forging block, forming a flange or lip as shown in the diagrams. This flange will hold the takedown lever in place, flush with the pistol frame. Once this step is satisfactorily finished, the piece is allowed to cool, then cut and filed to final shape. Be sure to leave a thicker portion at the outer end of the actual lever, and shape it as shown. Checker or groove this lever with a checkering tool. When the takedown lever is completed, insert it into its hole in the pistol frame. Mark a site on the lever for a retainer pin, just inside the left side of the frame. Bore this hole with a 1/16 inch drill, and make a tight-fitting pin for it, just long enough to keep the takedown lever in place. As shown, the forward side of the takedown lever's shaft is cut down to just over half diameter. Use a small square file for this. When the finished takedown lever is turned to the rear, the receiver assembly may be slid forward, lifted upward, and removed.

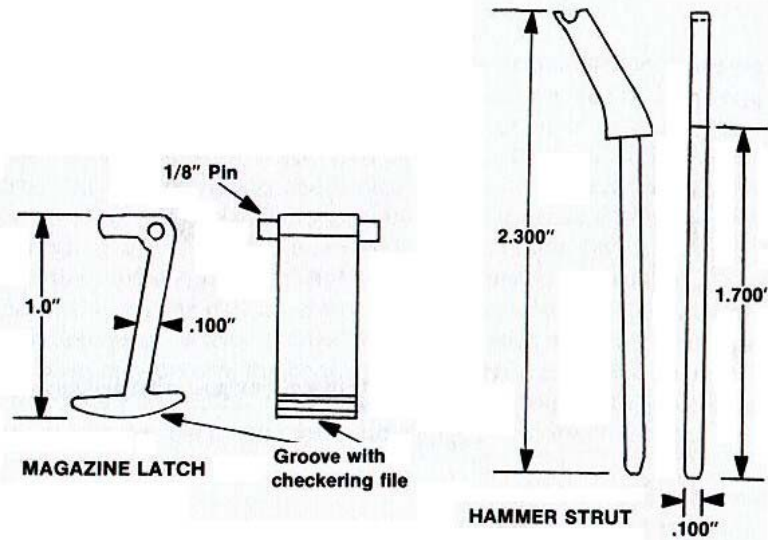
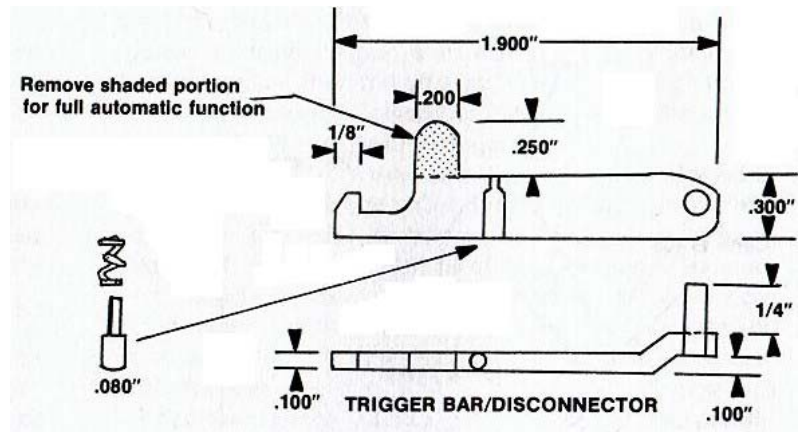


The safety is fabricated from the same size drill rod as the takedown lever, and uses the same forging procedure. A projection is forged into the front of the safety shaft. This projection blocks the sear when the safety is pushed upward into the engaged or safe position. Drill a 1/8 inch hole part way through the



front of the projection to receive a small coil spring and detent pin, which serves to retain the safety in the frame, and keep it snug in both on and off positions. Note that the safety pivots on a pin silver-soldered into a hole drilled at the rear end of the safety shaft. Leave a ledge on the outside front of the safety lever when finishing it with a file, since the safety should be easily grasped and manipulated. Checker or groove this part of the lever to complete it.

Construct the magazine catch to the dimensions shown from either folded sheet metal or steel stock. If sheet steel is chosen for this part, weld or silver-solder on its lower end; this projection actually engages the bottom rear edge of the clip, and therefore must be strong. Be certain to allow sufficient clearance within the magazine catch for the hammer strut to work freely inside it. The catch's 1/8 inch pivot pin should be a press fit, or silver-soldered in place. Groove or checker the lower exposed end of the magazine catch to finish it.



Cut the ejector to shape from sheet steel using the pattern shown. The hole in its forward end fits around the trigger pivot pin, while its body rests against the frame body on the inside left frame upright.

Both a left and right hand grip are made from whatever material you deem suitable. Grips for the pistol shown were made from American Walnut. Note that sufficient material must be left at the rear to enclose the opening left. And the grip's upper right inner side must be hollowed out to allow the trigger bar to move freely, yet be held securely in place.

After the grips are in place on the frame, drill a hole into each grip to receive a retainer screw. Tap each side of the frame for these screws to thread into. I recommend reinforcing the inner surfaces of the grips with glass bedding.

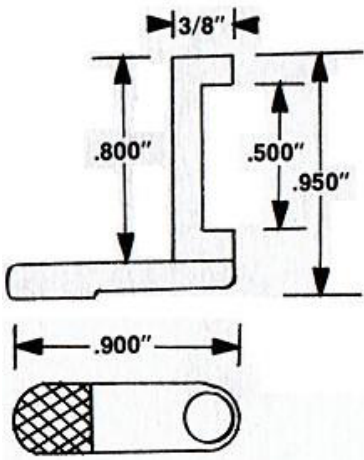
The outside of the grips can be shaped as shown or to whatever contour is desired. Remember to leave as much wood as possible at the grip's extreme rear. After the grips are satisfactorily shaped, sand them smooth and apply several coats of gunstock finish. When the wood's grain is properly filled, a checkering design is laid out on each grip by cutting an outline and master lines. Finish by checkering both grips.



Left To Right:
Hammerstrut
Mainspring
Magazine Latch



Trigger Bar-Disconnecter

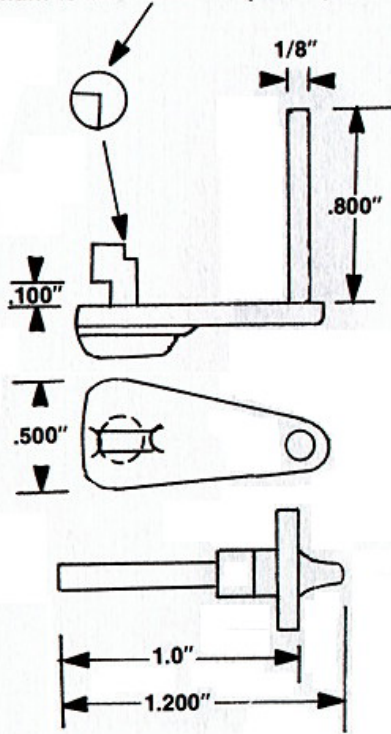


TAKEDOWN LEVER



Take-Down
Lever

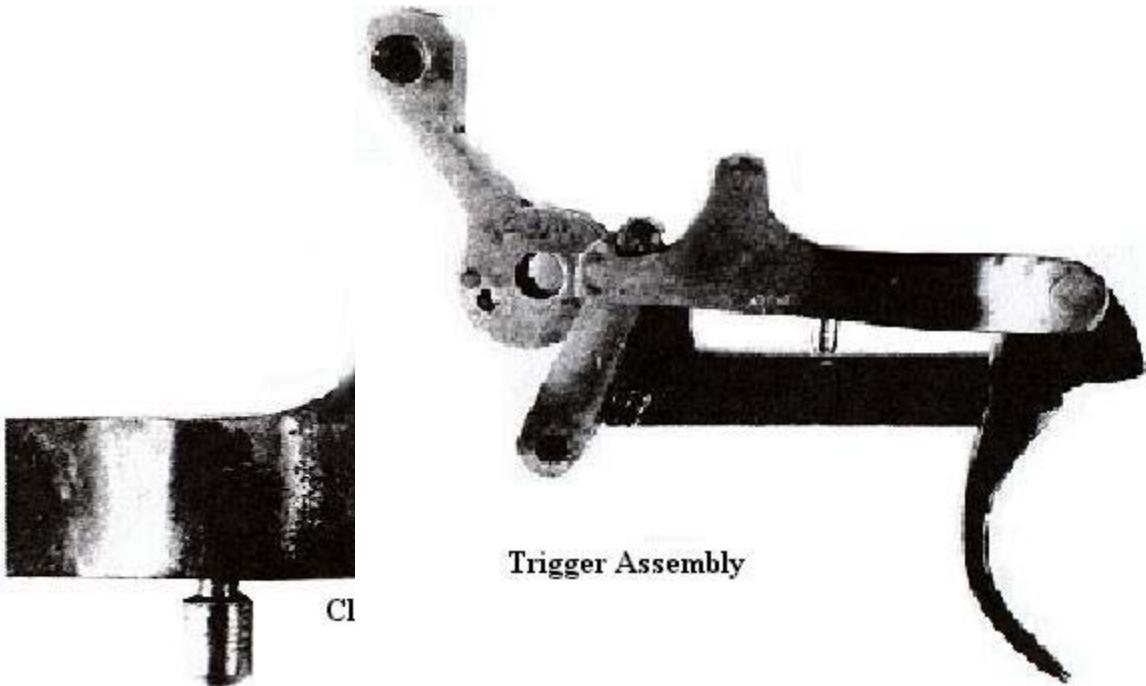
Handfit to block sear in upward position



SAFETY

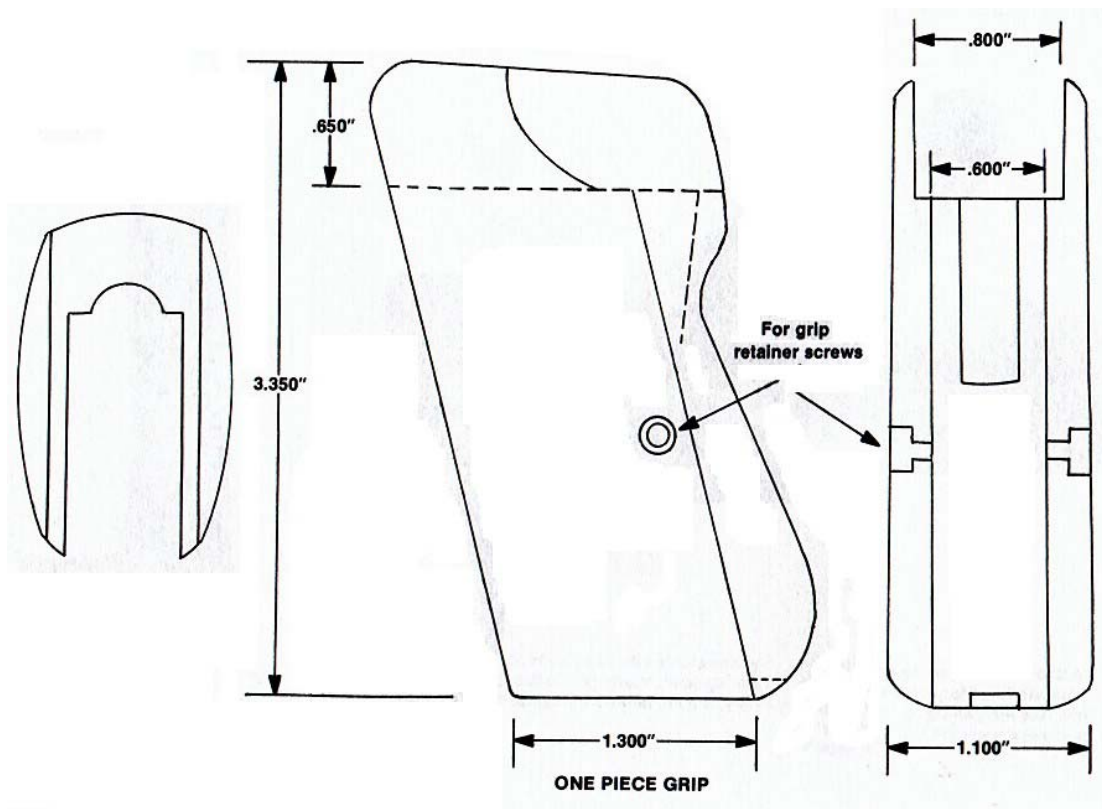


Ejector



Trigger Assembly

Cl



Grips

Chapter Eight

Assembling and Testing

When all the component parts are finished and semi-polished, the pistol is ready to be assembled and test fired. This step is done before the components are finally heat treated, polished, and blued, because you will likely have to make adjustments on some of the parts before the pistol will function as designed. Prior testing at this point will save the trouble of refinishing and rebluing any parts marred, modified, or scratched during the test. Be sure that all working parts have a smooth finish, free from burns and scratches. Flat parts, such as the sear and trigger must have flat smooth sides, square with the top and bottom, and finished until they feel slick when handled.

A good trick to finish these sides is mentioned in Volume One of this series in Chapter Ten. Begin it by placing a sheet of abrasive cloth on top of a piece of plate glass, then firmly rub the part to be polished back and forth across the mounted abrasive cloth. An extremely fine finish is obtainable from this process, though it is laborious and time consuming.



Once the interior components are finished to your satisfaction, begin assembling the handgun by placing the appropriate coil spring in position between the sear and frame; pin the sear in place. Pin the trigger in place in the frame, then fit the trigger bar disconnect, pin, and spring in their respective locations. Insert the hammer into position, then push the hammer pivot pin into place.

Position the hammer strut and hammer spring in their places, with the protruding end of the hammer strut fitting into the notch in the hammer's lower rear side. The hammer strut's lower end fits into the slot in the upper end of the magazine retainer. Push the magazine retainer upward against the pressure of the hammer spring, until the pivot pin in the magazine retainer slips into the slots at the frame's lower rear end. Since these frame slots angle downward and forward, pressure exerted downwards by the hammer spring holds the magazine retainer

in place, which in turn retains the magazine in position. Pushing the magazine retainer to the rear releases the magazine, permitting it to be removed from the gun.

Next, insert the safety and takedown levers into their holes in the frame from the left side, and fit them with their retainer pins on the right side. The ejector is positioned in its frame slot at the left rear edge of the magazine opening, and pinned in place. At this point, check the action carefully for roughness and binding by cocking the hammer and pulling the trigger. Hold the hammer back slightly with your thumb while doing this to prevent it from slamming forward, which may cause the hammer pivot pin to break. Watch the sear as the hammer is cocked. Does it snap cleanly and crisply into the hammer notch? Or does it drag or flop weakly into the notch when the hammer is fully cocked? If it does the latter, then either the retainer pin is too tight in the hole through the sear and the hole must be reamed slightly, the sear spring is weak and must be replaced, or rough edges on the sear body are binding and must be removed.

Try the disconnecter for freedom of action and proper functioning. Depress the disconnecter leg extending upward through the top of the frame, about 1/8 of an inch. This action should push the trigger bar downward, away from the sear, causing the sear to engage the hammer notch. The hammer must hold in the cocked position, regardless of whether or not the trigger is depressed. Releasing the pressure on the disconnecter leg must cause the trigger bar to snap upward without any drag or hesitation, allowing the trigger bar's notched rear end to engage the sear, and pull it free from the hammer notch when the trigger is pulled.

The way this works is not really as complicated as it sounds. With the slide fully forward in the battery position, a recess in the breech block allows the upper end of the disconnecter leg to ride upward through the frame. This permits the trigger bar to engage the sear, and pull it forward when the trigger is pulled. The hammer then falls, driving the firing pin forward into the primer of the chambered cartridge, and the gun fires. Ensuing recoil drives the breech block to the rear, and the ledge directly forward of its recess depresses the disconnecter. The trigger bar moves downward, out of engagement with the sear, and the sear engages the hammer notch. It holds the hammer in its full cock position after the rearward motion of the recoiling breech block has pushed it to the rear.

When the breech block reaches the end of its rearward travel, the



recoil spring forces it forward again. During this motion, a cartridge is stripped from the magazine and fed into the barrel chamber. As the ledge in the forward-traveling breech block once again permits the disconnector to move upward, the trigger again engages the sear.

Since the notch in the trigger bar moves forward when the trigger is held to the rear, the trigger must be released and allowed to move fully forward again before the notched trigger bar can re-engage the sear. Re-engagement in this manner enables the pistol to fire only a single shot each time the trigger is pulled, preventing full automatic fire.

I am sure there are some readers who will be tempted to leave this feature out, but I admonish them not to do so. The idea of a full-automatic pistol appeals only to the ignorant and the uninformed. Remember that not only is a full-automatic pistol highly illegal, it is also inaccurate and dangerous. A lightweight pistol of this design cannot be held on a target accurately when more than one round is fired with each pull of the trigger. Muzzle climb is compounded as each succeeding round is fired automatically, preventing any semblance of precise shot placement. Such a weapon endangers anyone else in the area as well as the shooter himself. But in spite of my warnings, some of you will convert this pistol to fire on full automatic anyway. If you must do so, at least do it right. By this I mean take extra care in fabricating the entire receiver assembly, so that it is as strong and durable as is possible. Remember that it will be subjected to much greater stress when the pistol fires automatically. The conversion is actually quite simple to accomplish. Begin by cutting off the disconnector portion from the trigger bar that is shaded in the diagram. The firing pin must also be longer than for the semi-auto design, so that its tip protrudes approximately .060 inch through the boltface when the hammer is down. This is necessary because the hammer falls as the breech block returns to its forward or "battery" position. The shorter, inertia-type firing pin may not be driven forward rapidly enough for reliable ignition of the cartridges when they are fed automatically. When the pistol's firing mechanism works to your satisfaction, the grips are fixed in place by the single screw extending through the left grip and frame, which screws into the threaded nut or escutcheon in the right hand grip. With the grips in place, try the action and disconnector several more times to make sure that all parts still function as designed without binding. If binding does occur, smear a thin coating of lipstick or inletting black on the edges of any parts that do bind. Mount the grips back in position, and try the action again. Remove the grips, and carefully trim away any of the grips' inner surface marked with the lipstick or black. Repeat until all parts move freely and correctly.

Silver-solder the front and rear sights in their respective positions atop the receiver. Using a pre-manufactured paste-type soldering mixture to affix the sights greatly simplifies this procedure. Coat with paste both the sight base and the section of the receiver it sits upon. Clamp the sight base into position on the receiver, and apply enough heat to it with an acetylene torch to melt the paste mixture. Allow to cool, remove the clamp, and mount the other sight base in the same manner. If silver solder paste is not available, make a similar mixture by filing wire or rod-type silver solder into dust, then mixing the dust with paste-type flux, which is available at most welding supply houses. That method of

applying silver solder is adaptable to any situation where a close-fitting joint with an even distribution of the bonding agent is required. The receiver is now fitted to the frame. Be sure to carefully file the lugs on the bottom of the receiver until they mate precisely with the corresponding ledges in the frame. The takedown lever should be turnable to its locked position. These joints must mate closely with no play at all. Any loose-fitting parts will quickly batter and wear when the weapon is fired. Slip the firing pin spring over the body of the firing pin from its front end, and insert this assembly into its hole in the breech block's rear end. Press the firing pin retaining pin into its hole. When the firing pin's base is flush with the bottom of the hammer slot, the firing pin nose must be flush with or slightly below the face of the breech block. If correctly executed, this safety feature allows the pistol to be carried with the hammer down and a round in the chamber.

Please note that I do not recommend that the pistol be carried in this manner. But for those who wish to ignore my warning, I say only that it is reasonably safe if the firing pin is fitted exactly as described. Next, fit the extractor into the slide by inserting its spring and follower into the appropriate longitudinal hole. Place the extractor's leg against this follower, and push it downward and to the rear until it latches in place. Widen the slot in the bottom side of the slide enough to allow the barrel and barrel retainer to pass through it. Start this wider portion just forward of the breech block face, and make it just wide enough to clear the barrel retainer, and at least .600 inch long. Cut two slots into the slide's center lines, one on top beginning at the front edge of the ejection port, and the other on the bottom just forward of the magazine opening. Make these slots the same size and shape as the lugs on the outer edges of the barrel retainer.

The barrel and receiver must mate solidly and rigidly; a close fit here is imperative. Begin the last assembly step by placing the recoil spring around and over the barrel. With the slide in its proper position inside the receiver, insert the barrel and spring muzzle first through the bottom slot in the receiver and slide. Then, with the barrel retainer lugs mating in their respective slots, the muzzle cap is screwed tightly in place, locking the assembly firmly together. The slide-receiver unit is placed in position in the frame, and the takedown lever locked.

The pistol is now ready for its first test firing. Unless you are a fool, you will take certain safety precautions during this first test. For example, it is a good idea to tie or clamp the pistol to something solid while it is fired for the first time, instead of hand-holding it. Be warned that this may cause considerable damage to the gun if it is not secured correctly, so be careful. Once it is mounted, the trigger may be pulled the first time by means of a string or wire, so you can stand away from it in case something malfunctions. Load a single round into the magazine first, and work the slide to chamber the round. Then using whatever precautions you deem necessary, fire the round. If everything works properly when the trigger is pulled, the gun will fire and eject the empty case. If it does not fire, the hammer spring is too weak or the firing pin spring too strong. Try a stronger hammer spring first. If the empty case is not ejected, the recoil spring is probably too stiff. Cut one coil from it and try again. If it still does not eject, cut off another coil. Repeat until proper ejection is achieved. After the first successful firing, examine the fired case carefully for signs of splitting, cracking, and stretching.

Does the firing pin indentation appear normal? Compare the fired case to an unfired one. Did the dimensions change significantly? If you are satisfied that they did not, the gun can be test fired again for semi-automatic functioning. Load two rounds into the magazine and test fire again. With the first round chambered, the pistol should fire only once. It should then eject the empty case and chamber the second round. When the trigger is then released and pulled again, the second round should fire, repeating the cycle. If the second round fires as the slide returns forward without the trigger being pulled a second time, the firing pin spring is too weak or the disconnecter is too short. A disconnecter that is too short allows the trigger bar to remain in engagement with the sear. Try installing a stiffer firing pin spring first. If the second round still fires automatically, remove a little metal from the top edge of the trigger bar until it clears the sear when the disconnecter is depressed.

When the pistol fires two rounds satisfactorily, try firing a full magazine through it. Cut and perhaps bend the magazine lips and feed ramp slightly until cartridges feed smoothly and positively from the magazine to the chamber.

Adjust the sights by moving the front sight laterally in the direction where the point of impact is desired. Move the sight blade by tapping it gently with a hammer and punch. Vertical adjustment requires filing the rear sight notch deeper to raise the point of impact, and filing the front sight down to lower it.

As soon as the gun operates smoothly, discontinue firing it, disassemble it, and start the heat treatment of it's parts.

Which brings us to the next chapter....

Chapter Nine

Hardening And Tempering

After all the pistol's parts are shaped to their finished dimensions, they must be hardened and tempered. The theory connected with tempering is quite simple, even though considerable confusion exists concerning it. In practice, though, the tempering/hardening procedures can be quite difficult to properly accomplish. When steel is heat-treated, certain changes in the metal's molecular structure result which alter some of its physical properties. Therefore, the most crucial aspect of this process is temperature. Steel heated insufficiently will not harden properly, while steel heated too much will actually burn.

To further clarify these concepts, I will briefly define the results obtained by heat treatments, which are: annealing, hardening, and tempering.

Annealing is the process of softening metal by heating it to a high temperature and allowing it to cool slowly. In most cases steel is annealed by slowly and completely

cooling it from a cherry red heat. Ideally, this is done by putting the steel in a cast iron box and covering it with some material such as sand, ashes, or fire clay. The box is heated in a furnace to the required temperature, after which the box and contents are removed, and cooled slowly enough to prevent any hardening. The material placed around the steel serves to exclude air, preventing oxidation. The sand also retains heat, allowing the metal to cool more slowly. A somewhat crude annealing method is the wood fire method described in Chapter Seven. Hardening is the process of raising the temperature of the steel up to its decalescence point and then quenching it in a suitable cooling medium.

In practice, the steel to be hardened is heated slightly above its decalescence point. This insures that the temperature of the steel is not below its decalescence point, and also allows for a slight loss of heat while transferring the steel from the heating source to the quenching bath. A tempering furnace is the best way to harden steel. Such furnaces are designed specifically to heat steel evenly to high temperatures for tempering purposes. They are also shielded for protection of those working with them. In the event no furnace is available, find another suitable source of heat. Large parts of even thickness can be heated with an acetylene torch. But the torch method is not suitable for thin and irregularly-shaped parts. The thin pieces are likely to burn when heated with a flame. To heat a small part safely, place it on a large piece of iron or steel, and heat the bottom piece to the desired temperature. The small part to be hardened will soon reach the required temperature, and can then be removed and quenched.

Parts of irregular shape, having both thick and thin sections, are liable to overheat in the thin areas before the thicker portions reach the proper temperature. For this reason, a lead bath is the best way to heat these parts. To prepare one, melt lead in a cast iron pot and cover its surface with powdered charcoal to prevent oxidation. The parts to be hardened are immersed in the lead bath and heated until they reach a red heat, then quenched. Despite the irregularities of this system, it has many advantages, and may be used for hardening or tempering. Baths, whether salt, lead or oil, hold temperatures more uniformly than any other method, and are easier to maintain at specific temperatures. Parts also heat more rapidly in such baths. Just be certain that the bath's temperature is uniform before using it. Cold steel can not be immersed in a heated bath, due to the danger of cracking it. The steel must be preheated to around 300 degrees F. before placing it in the bath. Preheating is not necessary if the bath is at a comparatively low temperature when the steel is placed in it. The bath is then heated to the desired temperature. This last procedure is most commonly done with oil or salt baths, which remain liquid at low temperatures. When parts are taken from an oil bath, immerse them in a tank of caustic soda, then water, to remove any oil adhering to the part.

After hardening, the parts are ready for tempering. That is because the hardening process has not only made the parts extremely hard, but also brittle. Tempering is the process of reheating previously hardened steel, then quenching it, resulting in tougher, less brittle steel. The worst part of it is the tempering process softens the metal as well as toughening it. Toughness and also softness obtained in tempering depend on the degree of heat to which the metal is raised. The higher the heat used, the less brittle it will be and also less

hard. Tempering hardened steel is best done in a specially prepared tempering bath; a metallurgist's high temperature thermometer is used in conjunction with the bath. Another, only slightly less satisfactory method, is based on observing the steel's color while it is being heated. Heated steel becomes covered with a very thin oxidation film that changes color as the temperature rises. Commonly, this color variation is used as an indication of the steel's temperature and its corresponding temper. Heated sufficiently, the oxide film will pass from a very pale yellow through brown, blue and purple. At the time the desired color appears, the steel is quenched in water or brine. The color scale of temperatures, while standard for many years, is regarded as indicating only a rough approximation of the steel's temperature. Also, this color scale varies for different steels.

Keep in mind that the methods and following color chart in this chapter apply to carbon steel only. Certain alloy steels require entirely different methods of heat treatment.

Degrees Fahrenheit - Color - Use

- 430 - Very pale yellow - Dies, punches, etc.
- 440 - Light yellow - Chamber reamers
- 450 - Pale straw yellow - Action pins, etc.
- 460 - Straw yellow - Triggers, sears
- 470 - Deep straw yellow - Milling cutters
- 480 - Dark yellow
- 490 - Yellow brown
- 500 - Brown yellow - Drills, firing pin bodies
- 510 - Spotted red brown - Taps, threading dies
- 520 - Brown purple - Light purple
- 540 - Full purple - Hammers, extractors
- 550 - Dark purple - Flat springs
- 560 - Full blue - Screwdrivers
- 570 - Dark blue - Firing pin noses
- 640 - Light blue - Action parts, breech block

As mentioned, thin parts and those of uneven thickness should be heated in a bath so that they temper evenly. Otherwise, these parts will likely have hard and soft spots. Molten salt baths, nitrate baths, and oil baths are all suitable for this purpose. Different materials and alloys have specific melting points. Often it is possible to pick one of these materials with a melting point equivalent to the temperature needed for tempering purposes. The material is melted and the temperature held constant at its melting point. The part to be tempered is immersed in this bath until heated thoroughly, then quenched immediately.

Melting points of some bath materials are given below:

Bismuth 475 to 510 F.

Lead 618 F

Tin 466 F

Zinc 680 to 780 F

Potassium Nitrate 600F

Sulphur 225F

Except where noted, the small parts described here must be heat treated. If left in a softened or annealed state, they will be brittle and break. If you take my suggestion, and use drill rod and annealed automobile spring to make these parts, the heat treatment will present few problems. Obtaining and recognizing the proper hardening and tempering temperatures present the biggest problem in this situation. And the use of the hardening and tempering baths will simplify this step appreciably.

In the event that tempering baths are unavailable, and the acetylene torch or forge is used to heat the parts, pay close attention to the following procedure, which described briefly at the beginning of this chapter. Begin by placing small irregularly-shaped parts on top of a large iron or steel plate. Heat the plate to a cherry red heat. When the parts also reach a cherry red heat, quench them in water. The next step is to "draw" the temper. The part is polished bright, and again placed on the heated plate until the proper tempering color appears. Remove again and quench in water. By referring to the chart shown earlier in this chapter, it may be seen that the hammer should be drawn at a dark purple, the sear at a deep straw yellow, the breech block at a light blue, and so on.

Test these parts after hardening with a file. If they remain soft, heat again to a slightly higher temperature, quench, then try the file test again. If aircraft tubing is used for the receiver and slide, they will not require heat treatment. Nor will the frame require heat treatment if suitable steel is used. Likewise, making the barrel from a military or commercial barrel will save you the trouble of heat treating it.

After finishing the heat treatment of the pistol's components, assemble them again. Test fire the pistol once more before bluing it; if it works satisfactorily, disassemble, and proceed to the next chapter. There are many tools and parts that are useable as sources of steel if you know what they are made of, and how to heat treat them. The following table gives an indication of the types of carbon steels used in common tools. It is included here to show the many alternate sources for steel, which might prove quite useful in an emergency situation.

Application Carbon Content

Auger, wood 0.60-0.70

Axe 1.20

Ball bearing 1.20

Barrel, gun 1.60-0.70

Bits, mining 0.80

Blade, pocket knife 0.90

Blade, reamer 1.20-1.22

Bushing, spring 0.80

Centers, lathe 0.80-0.90

Chisels, cold 0.85

Chisels, chipping 0.80-0.90

Chisels, woodworking 0.60-0.70

Dies, envelope 1.15

Dies, drop forging 0.85-0.90

Drills, twist 1.20-1.22

Driver, screw 0.60-0.70

Edge, straight 1.05-1.12

Facing, anvil 0.85-0.90

Files 1.25-1.30

Hammer, blacksmith 0.67-0.78

Hammer, machinists 0.90-1.00

Hatchet 1.15-1.22

Hoe 0.85-0.90

Jaw, vise 0.85-0.90

Knife, belt 0.80-0.85

Knife, paper 1.05-1.10

Knife, woodworking 1.15-1.20

Knife, putty 0.90-1.00

Magnet 1.23-1.25

Machinery, crucible 0.55-0.65

Mower, lawn 1.00

Plow, crucible 0.85-0.90

Punch, blacksmith 0.80-0.85

Rake 1.15-1.25

Saw, circular 0.80-0.90

Saw, for steel 1.60

Saw, for crosscut 0.85-1.00

Saws, band 1.15

Spring, common 1.20-1.25

Taps 1.20-1.22

Chapter Ten

Finishing and Bluing

In the preceding volume of this series, I described the methods and materials used in the hot "nitrate" process of bluing (or "blackening") parts of a firearm. In this volume, I will present sufficient information to enable you to finish weapons with both the comparatively slow nitrate process, as well as a faster rust-type bluing (or "browning") procedure.

Let me mention here that you must take every precaution possible to protect your eyes and skin from the more caustic bluing formulas that follow, particularly the "hot" solutions. When mixing any bluing formula, add water to it slowly by means of a long handled dipper so that any chemicals that spatter out then will not reach you. An even safer method is to place a funnel in the end of a five foot section of pipe and pour the water through it. Some chemicals listed here are extremely dangerous when handled carelessly.

Note that considerably less equipment is necessary for the quick rust-type of finish than with the nitrate blue. In fact, for the faster method, one tank approximately five inches high, five inches wide, and long enough to accept the longest part to be blued is adequate. For the pistols described in this book, a tank length of 14 to 16 inches will suffice. It can be heated on a kitchen stove if no other heat source is available.

But if you anticipate doing very much bluing, it is advantageous to make three tanks together with a rack to hold them, with individual burners for each. Construct the tanks from any material that can withstand the temperature needed to boil water. Trays from discarded room planters, poultry feeders, or even a section of rain gutter with endcaps brazed in place are fine. Another source for suitable tanks is old rocker arm or valve covers at the automotive salvage yard.

Mark these tanks numbers one, two, and three. Tank number one is the degreasing tank. It will contain a strong lye or caustic soda solution, or a tri-sodium phosphate solution. Make the last solution by mixing one cup of tri-sodium phosphate with 2-1/2 gallons of water. Keep aluminum parts out of either of these solutions. They will pit or even disintegrate in these baths. Use household detergent for degreasing aluminum parts.

The number two tank contains a neutralizing bath of either pure distilled water, or water with a little lime added.

The third tank is used for boiling the parts in water, in accordance with the "fast method" process. Fill it to a depth of at least three inches with distilled water. Do not use ordinary tap water for this step, since it almost always contains impurities, which cause blemishes to develop on blued surfaces.

Before the components of a firearm can be blued, they must be highly polished. If you have Volume One of this series, follow the same polishing sequence it presents.

This procedure is relatively simple. After filing all nick, dents and scratches from the surface of the part, use progressively finer grits of abrasive cloth to polish it with a crosswise "shoeshine" motion. Then use the same cloth to polish it with a lengthwise motion until the crosswise marks are polished out. Repeat with the next finer grit, eventually progressing to crocus cloth, until the steel has a shiny, chrome-like appearance. Finally, check the part under a strong light for blemishes or dull spots. These must be removed if a professional-looking finish is expected.

Immediately prior to bluing, clean all parts completely, making certain they are free of oil or grease. Wear clean cotton gloves throughout the cleaning operation, since human skin secretes oil and sometimes acids. An imperceptible layer of these secretions, which may prevent the bluing solution from working properly, will result if you handle parts without gloves. Prepare to blue the barrel by making hardwood plugs that fit into each end of it. These plugs should be at least 3/4 inch in diameter, and long enough to serve as handles. The pre-manufactured dowel rod available at most lumber yards is ideal for this purpose. Using a wood lathe, turn a shoulder on one rod a few thousandths of an inch larger than the barrel's bore diameter. Make the plug for the muzzle end of the barrel five or six thousandths of an inch greater than the barrel's groove diameter. Grease it lightly and drive it into the bore, allowing approximately 1/2 inch to remain between the muzzle and the plug shoulder, insuring that the end of the muzzle will be acceptably blued also. Drive a similarly-fitted and greased plug into the chamber end of the barrel. Properly done, the two plugs will prevent any trace of the bluing solution from reaching the inside of the barrel. Most of the other parts are handled during bluing by wooden plugs fitted into holes present in the respective parts. Similarly, screws and bolts may be handled during bluing by drilling appropriate holes in wood strips, then screwing these screws and bolts into the holes.

Small parts that have no holes or openings present another problem. Handle these by the free end of a stiff wire wrapped around an area of the part that does not require bluing. Before you start the actual bluing, bend three U-shaped brackets from heavy wire, such as coat hanger or welding rod. Position one of these in each tank, to prevent larger parts from contacting the bottom of the tank. I also recommend making a pair of hooks from about 3/16 inch diameter steel rod. Use the hooks to both place the parts in the tanks and remove them. Presently, it is possible to purchase commercial bluing solutions which will satisfactorily color and protect the metal if used according to directions. Herter's Belgian Blue, Stoeger's Yankee Blue, and Brownell's. Dicropan IM are three of the more popular home-bluing solutions on the market. Prices and container sizes vary, but all produce nearly identical results by following essentially the same application technique. Because this book is intended for a time when such commercial preparations may not be available, the following formulas are included so that you can mix your own bluing solutions.

Fast Process

750 Gr. Corrosive Sublimate

1000 Gr. Potassium Chlorate

1200 Gr. Potassium Nitrate

300 Gr. Ferric Chloride

150 Gr. Cupric Chloride

300 Gr. Sodium Nitrate

Place the above six chemicals in a glass receptacle. Chances are you may have to get them already mixed at a drug store since potassium chlorate is an explosive under certain conditions, and will probably be difficult to obtain separately. Heat 1700 CC of distilled water to 130 degrees F. and pour it into the glass receptacle. Agitate the mixture until all the chemicals are completely dissolved and allow to cool.

After about ten hours, add 175 CC sweet spirits of niter. Shake well and pour the solution into colored glass bottles; allow to stand twenty-four hours before using. Bottles should be labeled POISON. This solution is one of the best for the fast-method bluing. It only takes about an hour to complete, and results in a fine, extremely durable, blue finish if directions are carefully followed.

After all the parts to be blued are well polished, wash them thoroughly, preferably with a non-flammable solvent. Place them in the first tank which contains at least three inches of water and a proper amount of the tri-sodium phosphate (one cup to 2% gallons of water). Bring this solution to a boil, then immerse the parts in it, and allow them to boil for fifteen minutes. Any traces of oil or grease will be removed by this step. They are next rinsed in tap water, and placed in tank number two containing lime water (one ounce to two gallons). Boil again.

Following the completion of the first two steps, pour three or four inches of distilled water into tank number three. Again, if distilled water is not used in the last tank, the final blue finish will likely be streaked and discolored. Procure a heavy glass pint jar with a large mouth, and wrap a heavy wire around its top. Use this wire to fasten the jar in one corner of the third tank allowing it to rest on the tank's bottom. Pour enough of the bluing solution into the jar to fill it half-way. Make certain that no water gets into the solution. But before you boil the water and jar of bluing solution in tank number three, three things are needed: a swab, 00 to 000 steel wool or a fine carding brush, and a rack to hold the barrel by its two end plugs. Make the swab by tying a gauze bandage into a slit cut into the end of a dowel. The rack can be bent from heavy wire, or made by cutting appropriate notches into two wood blocks. Boil the water in the third tank. Place the parts to be blued in the boiling water, and let them remain for about five minutes. Remove one part, and

use the swab to apply an even coat of bluing solution to it, using lengthwise strokes. Keep the swab in the bluing jar until it is used again. If bluing the barrel, place it in the rack before applying any solution. Once the heat from the part has completely dried the solution on it, return it to the boiling water for four to five minutes. Remove, and brush or card off the coating of rust which has formed with the steel wool or fine carding brush.

Work as rapidly as possible both in applying the solution and removing the rust, and keep in mind that the bluing works far more effectively on heated steel. If very much heat is lost while removing the rust, place the part back in the boiling water for a few minutes before applying another coat. The best way to handle the bluing of a small part involves coating its surface as soon as it is dry, then placing it back in the tank for a few minutes. Remove, and card the rust off. Put the part back in the boiling water, remove, and apply another coat of solution.

Repeat the application process six or seven times. Some steels may require as many as ten applications of the blue. Generally, the blue-black color of the part will be as dark as it can get after the seventh coating. Remove the rust from the last coat, and rub it first with 0000 steel wool, then with clean cotton cloth. Boil the part one last time. Remove, and coat it with light oil while still warm. This oil terminates any further reaction between the solution and the steel. After a few minutes, remove the oil, and rub a mixture of beeswax and turpentine into the part's blued surface. Take out the wooden plugs from the barrel, wipe the bore clean, and apply a light coating of oil to it.

Ten Day Rust Process

1900 cc distilled water

180 cc tincture of ferric chloride

180 cc sweet spirits of niter

30 cc nitric acid

800 gr corrosive sublimate

400 gr copper sulphate

Mix in the order given and place in colored bottles. Label

POISON. Let stand for at least 72 hours before using.

This is a slow rust process which requires about ten days to produce a proper finish. When properly applied, it will outwear just about any other type of finish.

Prepare the handgun's parts for bluing by polishing and degreasing, as previously described. Repeat the processes for tanks one and two, as outlined under "Fast Process".

Boil distilled water in tank number three, along with the pint jar half-full of bluing solution. Place the parts to be blued in the boiling water for five minutes. Remove, and use a clean swab to coat the part with solution. Allow it to stand between eight and ten hours before carding off the rust with steel wool or a wire brush. Then boil it in tank for five minutes, to neutralize any remaining chemicals from the previous coat. Remove the part, and allow it to cool a bit. Swab on another coat of the solution.

Repeat this operation on each part twice a day for nine or ten days. Provided that you followed the directions completely and carefully, used distilled water, polished the parts meticulously, and paid strict attention to the degreasing process, you will have one of the finest blue jobs that it is possible to produce.

If there is not sufficient humidity for a coat of rust to form in the given time, make a box to completely enclose the work and place a pan of warm water in the bottom of it. The box will usually increase the humidity enough to allow the coating of rust to form adequately.

The parts are now ready for final assembly.

If you've done your "homework" you will now have a reliable, accurate semi-automatic pistol comparable in most respects to many of its commercial counterparts.

Good luck and good shooting!

Chapter Eleven

Single-Shot Design

Most of the component parts for the single-shot falling block pistol presented in this chapter are similar to the corresponding parts used in the previous semi-automatic design. Therefore, I will not go into great detail on constructing them. This being the case, do pay close attention to the drawings and dimensions as presented in the following pages.

This pistol's receiver is made from a solid steel block $3\frac{3}{4}$ inches long, $1\frac{1}{2}$ inches wide, and one inch thick. If it is to be chambered for a high-intensity cartridge, be sure to make the receiver from a block of quality steel. If available, S.A.E. 4340 steel is ideal for this purpose. Once machined to size and shape, the 4340 steel is heated to 1475 to 1525 degrees F, then quenched in oil, and the temper drawn at 1100 degrees F. The receiver's hardness should then equal C35 on the Rockwell scale, or a tensile strength of 160,000 pounds per square inch, and a yield strength of 138,000 pounds per square inch. So the strength of this 4340 receiver will safely handle just about any small arms cartridge commercially available today.

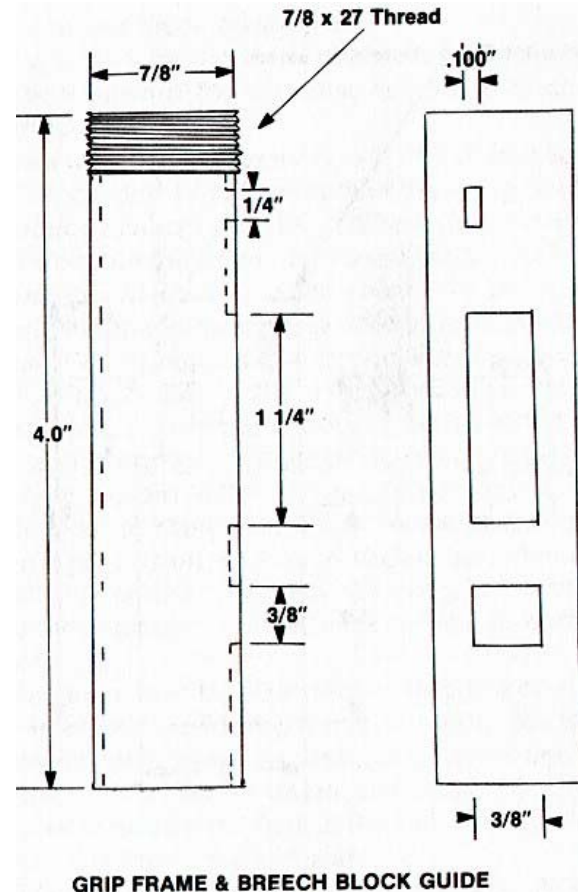
in the lathe even if taps are used to cut the threads. "True" alignment is much more easily achieved using this method.

Cut a 1/4 inch wide slot on the center line and at the rear of the breech block opening, for the hammer and sear. If the rear end of the breech block is cut to the contour shown in the diagram before this step, the slot will be slightly easier to cut since there will be less metal to remove. Cut away the upper portion of the 1/2 inch length- wise hole (to the rear of the breech block opening) until it is the same width as its diameter (.5 inch), leaving the bottom half rounded. Cut a 1/4 inch wide slot at the lower front for the upper end of the trigger, and a 1/8 inch slot for an extractor at the left front side of the breech block opening. Some of the steel removed from these slots can be drilled out, but their inside corners will have to be removed with files and narrow chisels. The extractor slot particularly is difficult to cut to the finished shape, but with a sharp chisel and a lot of patience, it can be done.

Drill the holes for the trigger and sear pins with a No. 31 drill through both sides of the receiver. One side is drilled out to 1/8 inch. The smaller No. 31 holes will hold the 1/8 inch pins securely in place. The hole for the hammer screw is first bored with a No. 3 drill, followed by a 1/4 inch drill through one side, which is also counter bored for the screw head. Tap its opposite side for a 1/4 inch x 28 thread.

The top of the receiver forward from the breech block opening can now be rounded or filed to an octagon contour. The upper and rear end edges should be rolled or rounded off slightly, but the bottom side and front face must be kept sharp and square.

Thread a five inch long section of 7/8 inch seamless tubing with an inside diameter of 3/4 inch on one end to screw tightly into the bottom of the breech block opening. The pistol's wooden grip will be fitted around this tube.



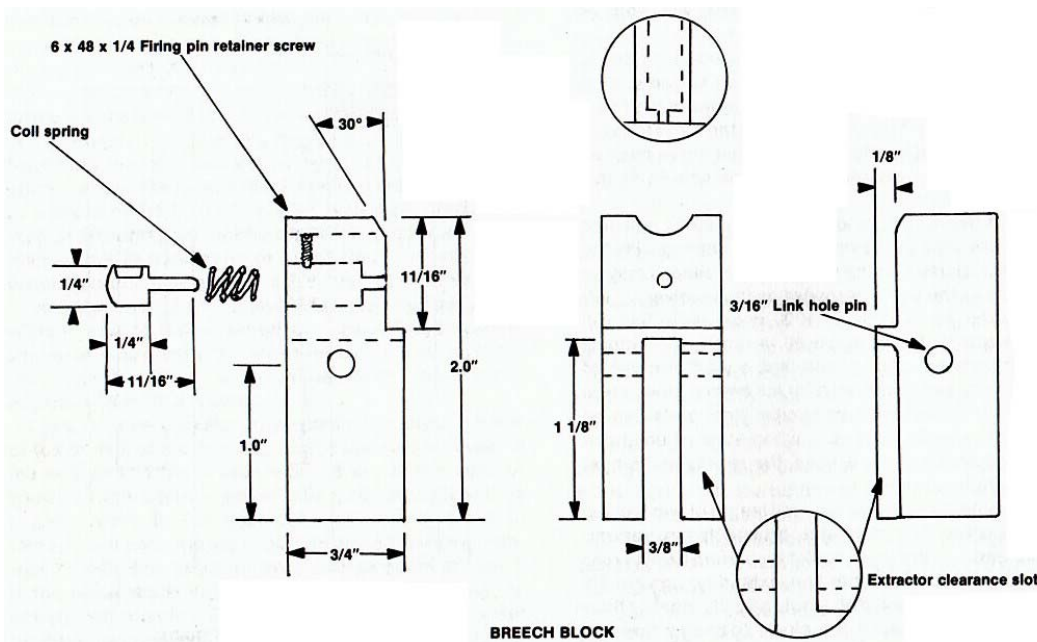
If tubing is not available, a section of 12-gauge shotgun barrel cut from the heavier part near the breech end can be reamed almost to size and turned to the outside diameter. Then screw it in place and ream it to finished size, together with the breech block opening. This will insure correct alignment, assuring that the breech block will work as designed.

Lay out and cut the slots in the front and rear sides of this tubing as shown in the diagram, using the cutting methods described for the slide and receiver of the semi-automatic handgun. The small slot near the top is for a bar connecting the trigger and sear, and while there must be some up-and-down clearance, the sides should fit this connecting bar closely.

Construct the breech block from round stock polished to slip fit closely inside the breech block opening. Use the same 4340 steel used for the receiver if possible. It may be heat treated to the same hardness as the receiver, or left slightly harder by drawing at 1000 degree F. This will afford a reading of C38 Rockwell, a tensile strength of 178,000 pounds per square inch, and a yield strength of 156,000 pounds per square inch for the breech block. Here again, an automobile axle or similar steel parts can be used for the breech block, but when steel of unknown analysis and composition is used, the results of the heat treatment are uncertain.

Trim the breech block to an overall length of two inches, and mark a center line completely around its top, bottom, front and rear. A 3/16 inch wide slot is cut from front to rear centered on the bottom centerline, extending upward 1-1/8 inch. To start this slot, drill a hole slightly smaller than its finished width, through the block, then saw through each side of the slot with a hacksaw. Square the bottom and sides of the slot by filing and chiseling. Drill a hole as indicated from left to right for a 3/16 inch link pin. Use a slightly smaller drill for this hole first, preferably a No.16. Then drill one side of the breech block with a 3/16 inch bit. A hardened pin from 3/16 inch drill rod should then fit tightly through these holes, serving as the link pin.

Finish the upper front face of the block to a flat surface where it fits against the breech end of the barrel. Cut it back until the flat area measures at least 5/8 inch (.625 inch) across and 11/16 inch (.6875 inch) high when measured down from the top. You must bevel this flat area's top front edge to the rear slightly, which will allow it to assist in

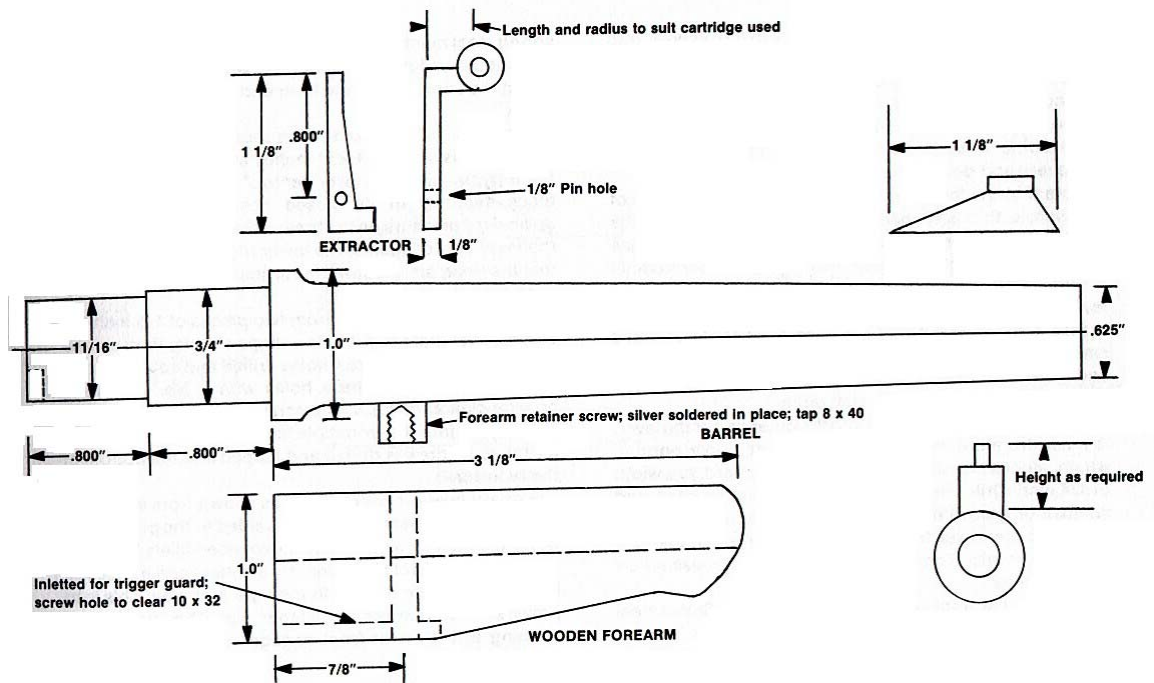


camming the extractor shut as the breech block rises.

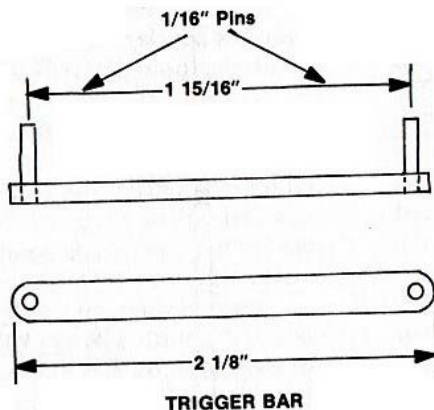
Center and cut a rounded

trough lengthwise to the top of the breech block, not more than 3/16 inch deep. Wait until the barrel is in place and the lever and link connected before drilling the firing pin hole in the breech block. To mark its location, first turn a sharp point on a rod which is a close slip fit in the bore, and slightly longer than the barrel. With the breech block closed and the lever latched, insert the rod into the barrel, pointed end first.

Once in place, tap the rod's butt with a hammer. This will accurately mark the firing pin location in the exact center of the bore, assuring that the firing pin will strike the primer in its center, and not high, low, or off to one side as many falling block designs do.



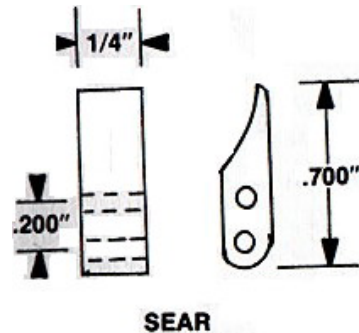
If a rimfire cartridge is intended, move the firing pin location upward the distance necessary to contact the cartridge rim. Bore the firing pin hole with a 1/16 inch drill, followed by a 1/4 inch drill to accommodate the firing pin body and retraction spring. Also drill a 1/8 inch hole to serve as a gas vent from the top center into the firing pin hole. The vent allows gas to escape in the event of a blown primer. A firing pin retainer is also installed to hold the firing pin in place. The firing pin hole should be plugged while this hole is made with a No. 31 drill, to keep the drill from wandering. Thread the upper part of this hole with a 6 x 48 tap, and make the retainer pin to the dimensions shown.



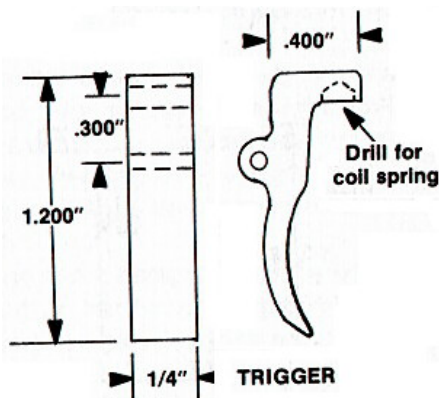
The firing pin is made from 1/4 inch drill rod. Turn the rod's front portion until it slip fits in the firing pin hole. Actual protrusion of the pin should be .060 inch. Use a small coil spring to retract the firing pin, which occurs when the hammer is pulled back to the half-cock or safety notch. If an extremely high intensity cartridge is contemplated, the front installed firing pin and the flat-backed breech block

designs shown as alternatives in the drawings may be used for added strength and durability. This design requires a square flat face at the rear of the barrel breech block opening in the receiver.

I have built this pistol in .22 WRM and .357 magnum calibers, and used the first breech block firing pin system in both, with entirely satisfactory results. The alternate is shown simply to satisfy those who feel they must have it that way.



The barrel blank is procured or constructed in the same manner described for the other handgun. It can be about any length you want. The only requirement is that the barrel must have a 7/8 inch (.875 inch) shoulder to butt up against the forward end of the receiver. The barrel on the gun shown has an overall length of seven inches, a muzzle diameter of 5/8 inch (.625 inches), and a straight taper expanding to 7/8 inch (.875 inch) 1/2 inch forward of the thread shoulder. This leaves a cylindrical section .500 inch long and .875 inch in diameter. The barrel shank is 1.6 inches long, with the first .800 inch turned smooth to a diameter of 11/16 inch (.6875 inch), and the adjacent portion turned to 3/4 inch (.750 inch), then threaded with a 3/4 inch x 16 thread.



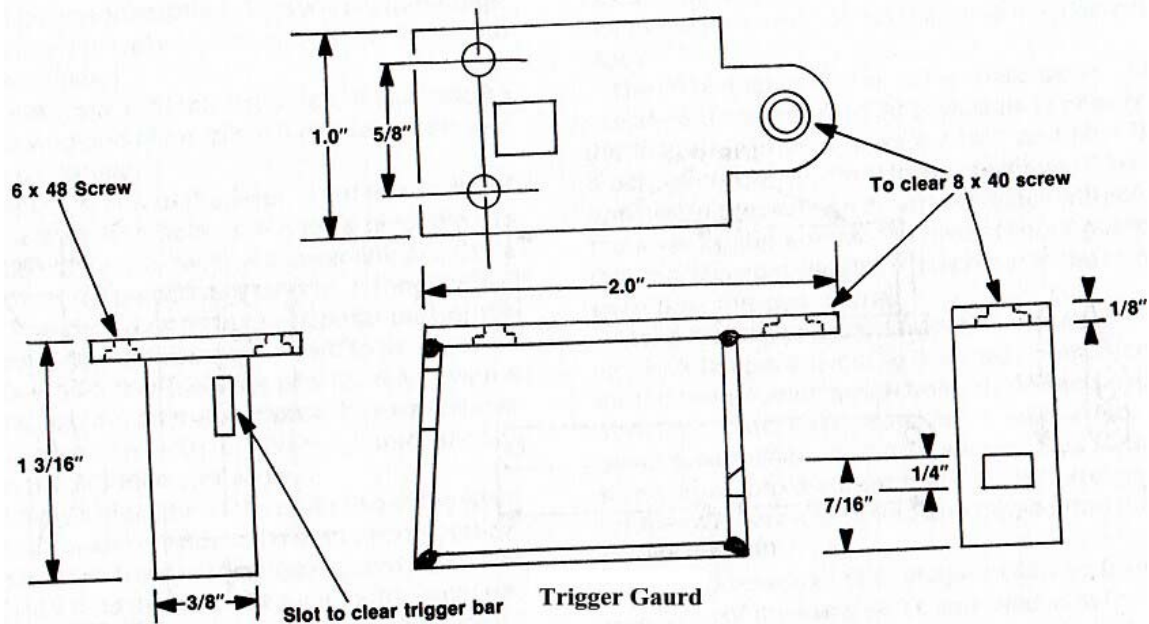
Make sure that when the barrel is screwed in place tightly, the breech end almost contacts the face of the breech block with no more than .005 inch clearance between them. While the barrel is in place, locate and mark its top center. A front sight made as shown is silver-soldered in place just behind the muzzle end of the barrel on the center line.

Another center line is located and marked on the bottom side of the barrel, and a nut or boss affixed to it for the forend retainer screw to thread into. Make this nut from 1/4 inch round stock, 5/16 inch long. Radius its top to fit the barrel contour, and drill and tap the nut for the size screw you have available. An 8 x 40 x 1/2 inch screw will do nicely for this, in which case the proper drill would be a No. 28. If it is necessary to use an 8 x 32 or 8 x 36 thread, both of which are available at most hardware stores (the 8 x 40 is not), then drill the hole with a No. 29 drill.

Mark the extractor location while the barrel is in place in the receiver. Remove the barrel, and cut the extractor slot with files and a narrow chisel. With this accomplished, the chamber is cut almost to depth and the barrel re-installed.

Cut the extractor from 1/8 inch sheet steel, and bend its upper end to a right angle. The extractor's upright portion should fit closely in its slot in the receiver without side play or wobble. A hole is drilled in the receiver for an extractor pivot pin with a corresponding hole through the extractor. Drill these with a No. 31 drill and tap the first part of the

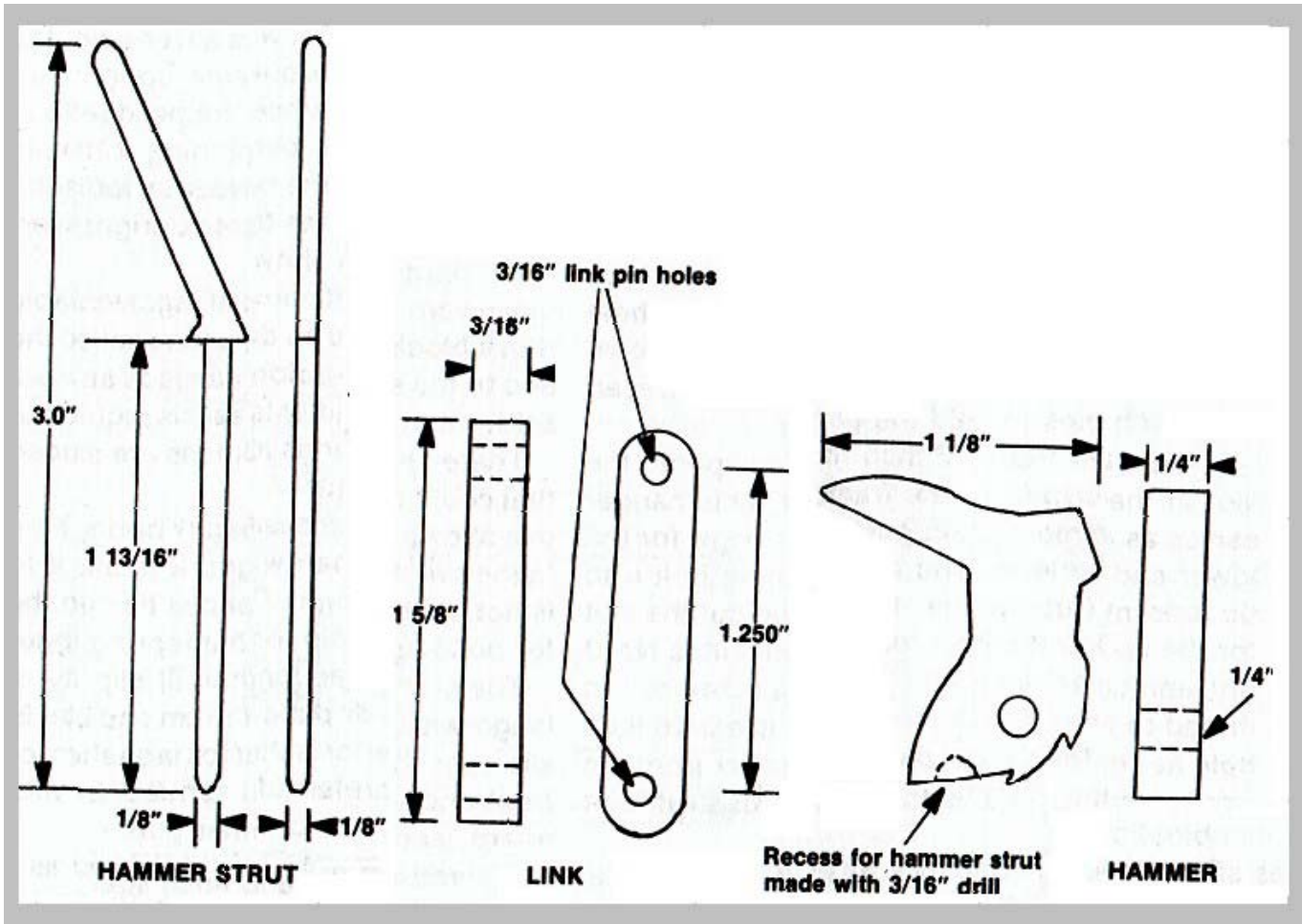
receiver hole with a 6 x 48 tap. Turn the threads off the lower end of a 6 x 48 screw and remove the screwhead. Cut a narrow slot across this screw's top to enable use of a screwdriver, and use it for the pivot pin.



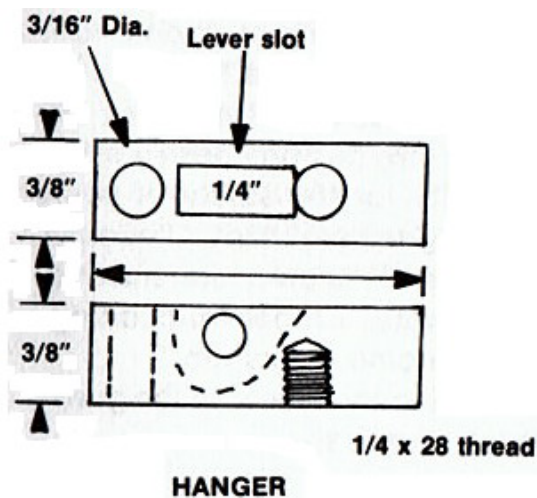
The upper extractor leg that fits in the barrel slot is fitted by filing, spotting, and filing again until it fits. Use a round file to remove all the portion possible extending across the chamber opening. To finish cutting the chamber to its proper depth, screw the barrel in place in the receiver with the extractor in its closed position. This will properly align the contact between barrel and extractor. Now the actual cutting is done by hand.

The lever is cut from 1/2 inch flat stock. It will require quite a bit of sawing and filing to cut it to final shape; just persevere and be patient.

Note that the lower end of the lever is cut to a width of 1/4 inch, with a 3/16 inch hole drilled for a pivot pin. Its upper end is also drilled, to receive a lower link pin. Cut a 3/16 inch wide slot for the link pin to fit in. A longitudinal recess 3/8 inch wide is cut in the horizontal part of the lever for the lower side of the trigger guard to fit into. This recess is made with either the edge of a flat file or with a small square file, except for the portion at the extreme rear end. Cut this area out with a chisel ground slightly narrower than the 3/8 inch slot width.



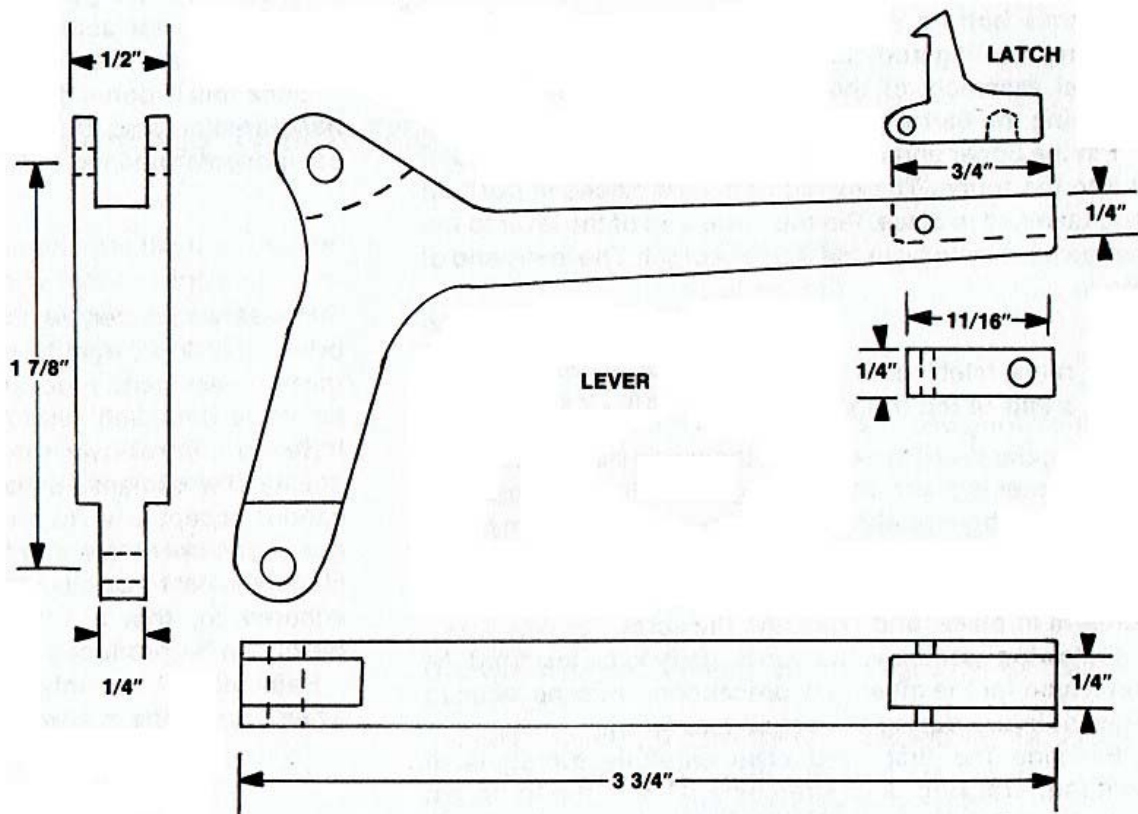
The latch, which is pinned into the outer end of the lever, is made from 3/8 inch flat stock. Trim its upper portion, which latches into the front of the trigger guard, to a width of 1/4 inch. Drill a hole for the pivot pin into the latch, and checker or groove the latch's upper surface. Also, drill a recess at the lower front of the latch for a suitable coil spring to fit into. This spring exerts upward pressure on the lever latch. 3/16 inch flat stock is used to make the link. Select steel that you know how to harden properly for the link. The leaf spring steel mentioned previously will work well for it. The link should be just thick enough to work freely in both the slot in the upper end of the lever and the slot in the breech block.



The 3/16 inch link pin holes must be as close to the specified distance of 1.250 inches as is possible, so that the link pin will cam "over center, and hold the breech block securely in its closed position. The resulting downward pressure on the breech block will actually force the lever tighter against the lower trigger guard, insuring that the firing pin will

strike the primer in the same position each time the gun is fired.

Make the trigger guard from two pieces of 1/8 inch flat stock. A flat plate is cut to the shape shown, then slotted for the trigger, with screw holes drilled and counterbored front and rear. Drill these holes with a No. 18 drill to provide clearance for 8 x 30 screws. The forend retainer screw goes into the front hole, and a corresponding hole for the rear screw is drilled and tapped into the bottom of the receiver.



A guard bow is bent to shape as shown from a 3/8 inch wide strip of the same stock and welded to the plate. If the welds are built up slightly and the rounded fillets filed with a round file and polished smooth, a better appearance will be achieved. Note the slot in the right rear side. This is to provide clearance for the trigger bar. The rectangular opening at the lower front engages the lever latch and should be left slightly undersize until final assembly, at which time both this opening and the latch are fitted to hold the lever firmly against the lower trigger guard.

The hammer, trigger, and sear are fabricated to the sizes and shapes shown in the drawings, using the same methods described for the other gun. If a wide target-type hammer spur is desired, leave the spur thicker and heat and forge it wider. Bend the trigger bar to shape as shown and drill it for the pins that fasten it to the trigger and sear. Use 1/16 inch pins to hold the bar in place. Make a hanger from 1/2 inch flat stock to slip into the slot in the lower part of the frame upright. This hanger serves as a hammer spring guide and pivot point for the lower end of the lever, and the stock retaining bolt also threads into it. Cut it to the shape shown and cut the slot for the lever. Drill the hole for

the stock bolt with a No. 3 drill and tap for 1/4 inch x 28. Use a machine screw of this thread to hold the grip or stock in place. Drill a 3/16 inch hole as shown for a lever pivot pin and another from the upper side at the extreme rear for the hammer strut to fit through.

The combination hammer strut and spring guide is made as shown from 1/8 inch flat stock. A suitable coil spring for the hammer spring is now needed. It must be big enough inside to clear the hammer strut and at least 1 3/8 inches long. Start with a heavier spring than is necessary, and cut and try it until suitable.

Construct a grip retainer plate as shown from 1/4 inch flat stock. Drill the hole and counterbore it for the screw head. Another hanger is made, which is silver-soldered to the upper rear side of the tubular frame upright. The sear mounts in this hanger since the frame doesn't extend downward far enough to permit pinning it to the frame. Slot a block and drill for the sear pivot pin, radius the solid end to the same contour as the frame upright, and silver-solder it in the location shown.

There are a number of commercial rear sights available that could be used if you so desire, or a sight similar to the one shown for the semi-automatic can be made and used.

In the event that a fully adjustable rear sight is required but is not obtainable, drawings and dimensions are included for building such a sight.

The grip is a one piece design. Begin it by boring a hole lengthwise through a hardwood grip blank to allow it to slip over the frame upright. Clearance must be cut to the front and rear of the hole for the hammer spring, trigger guard, and other projections. When it will slip fully in place, inlet the retainer plate into the bottom and bolt it in place. The grip's exterior is then cut to the shape shown, or whatever shape is preferred, and sanded, finished, and checkered as described for the other gun. A forearm is also made from the hardwood as shown. With the forearm's rear end flush against the forward end of the frame, inlet it until the barrel rests at half-depth. The forward end of the trigger guard is also inletted into the forearm's bottom side at the rear. Finish by shaping, sanding, sealing and checkering.

Final assembly of the single-shot pistol is begun by screwing the barrel and the frame upright into the frame. Pin the upper end of the link to the breech block and slip it into the frame. The extractor is next placed in position and fastened in place. Pin the lower end of the lever to the hanger and install it in the frame upright. The lower end of the link is then fastened to the lever. Mount the trigger and spring in the frame and install the trigger guard, after which the sear is pinned in place and the trigger bar installed, connecting the trigger and sear. Slip the spring over the lower end of the hammer strut and insert the end of the strut into the guide hole, and fasten the hammer in place. Install the grip by slipping it over the frame upright, mounting the retainer in the bottom of the grip, and bolting it in place. Mount the forearm by removing the front trigger guard screw, slipping the forearm in place, and replacing the screw.

Following assembly, the gun is ready to be test fired. As described for the other gun, precautions must be taken to prevent injury during the actual test firing. Examine the first fired case carefully for signs of splitting, cracking, and stretching. Check the firing pin indentation, and compare the fired case to an unfired one. Make sure the dimensions did not change significantly. If they did not, the gun can be sighted in and test fired further, both for accuracy and functioning. Any further refinements are then made as necessary. Once this is done, disassemble the gun, and follow the heat treating and bluing procedures for its respective components outlined in Chapters Nine and Ten. Please remember, as I stated at the beginning of the book, that it is illegal to make or own such weapons as these unless certain government regulations and conditions are complied with. Also keep in mind that since I have no control over the materials, heat treatment, or quality of workmanship that you may put into these guns, I cannot accept any responsibility for the safety of your gun. I can only state that if the guns are made of quality materials, heat treated properly, and the given dimensions adhered to, that a safe, accurate, proper-functioning pistol can be produced in your home workshop. Remember, I can only guarantee the safety of the guns when I do all the gunsmithing personally.

End