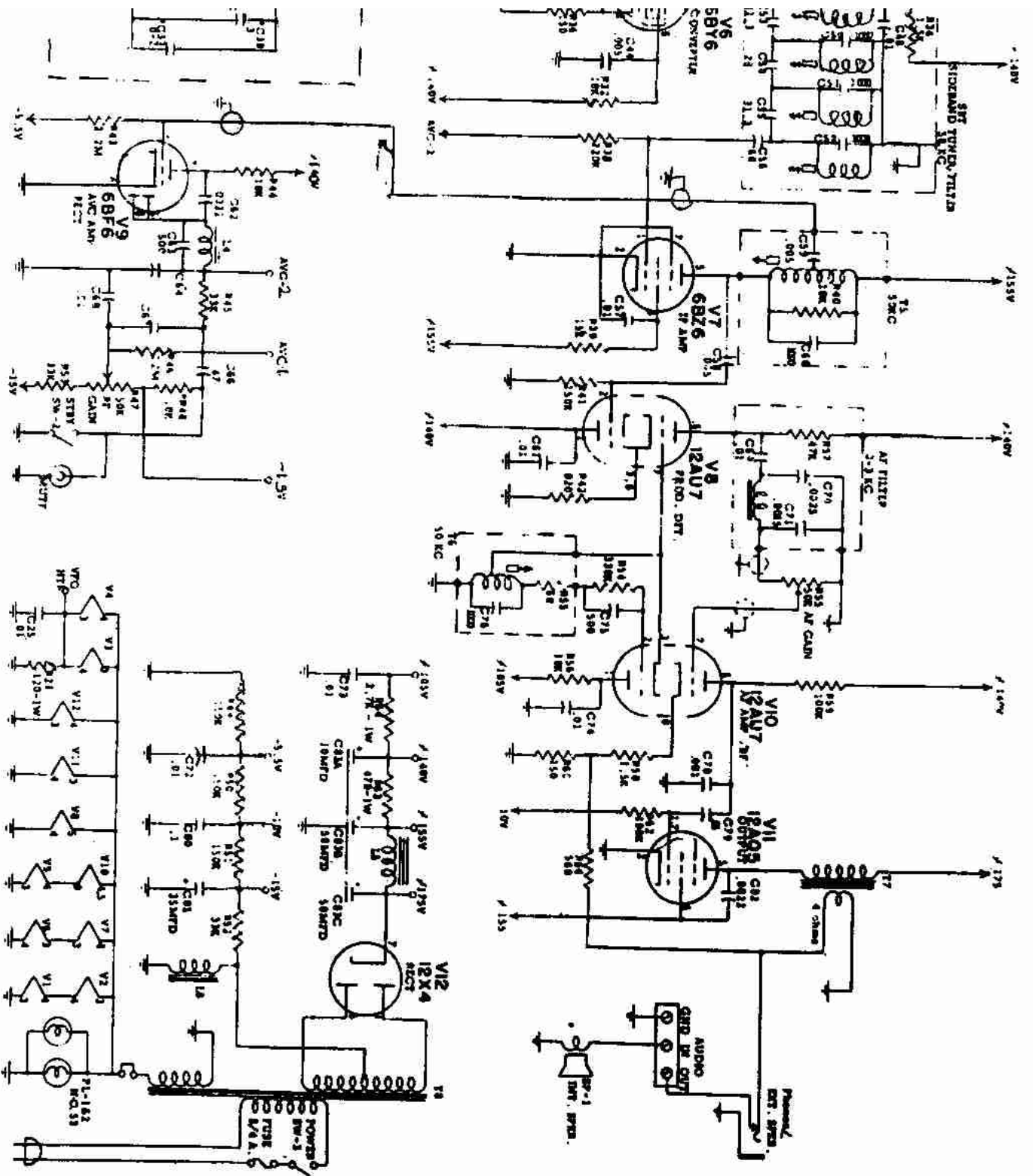
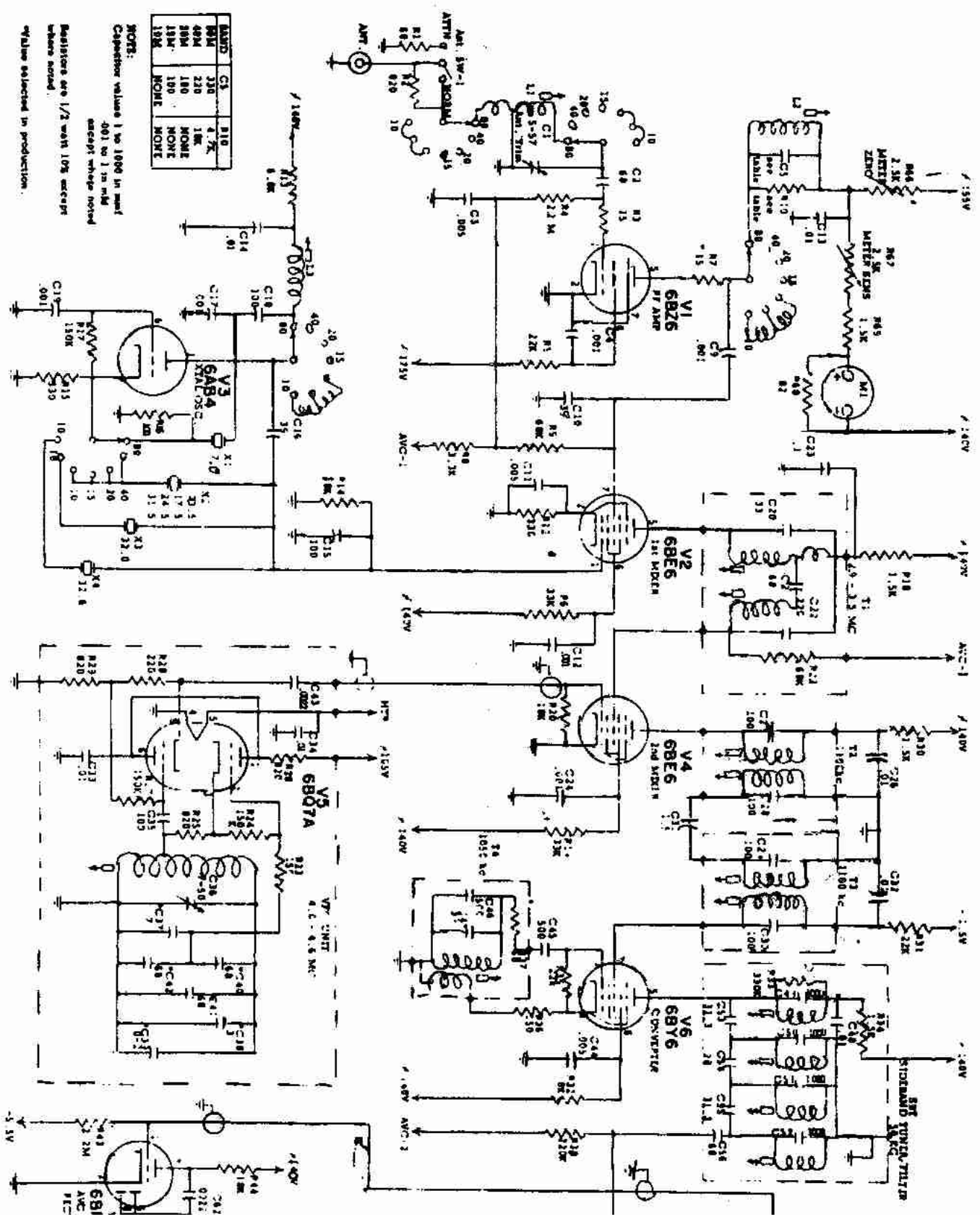
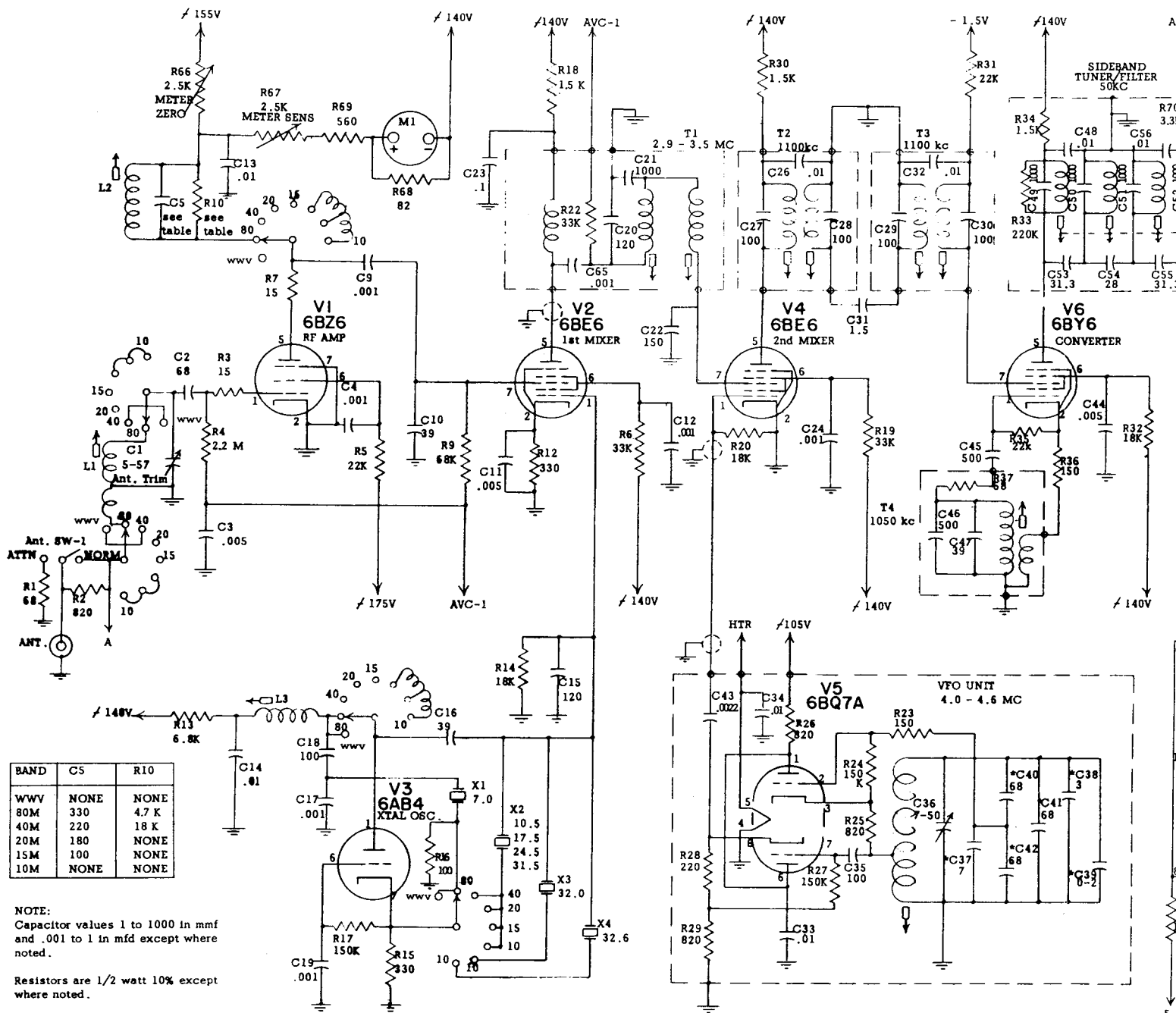


SCHEMATIC DIAGRAM—MODEL I-A SIDEBAND RECEIVER

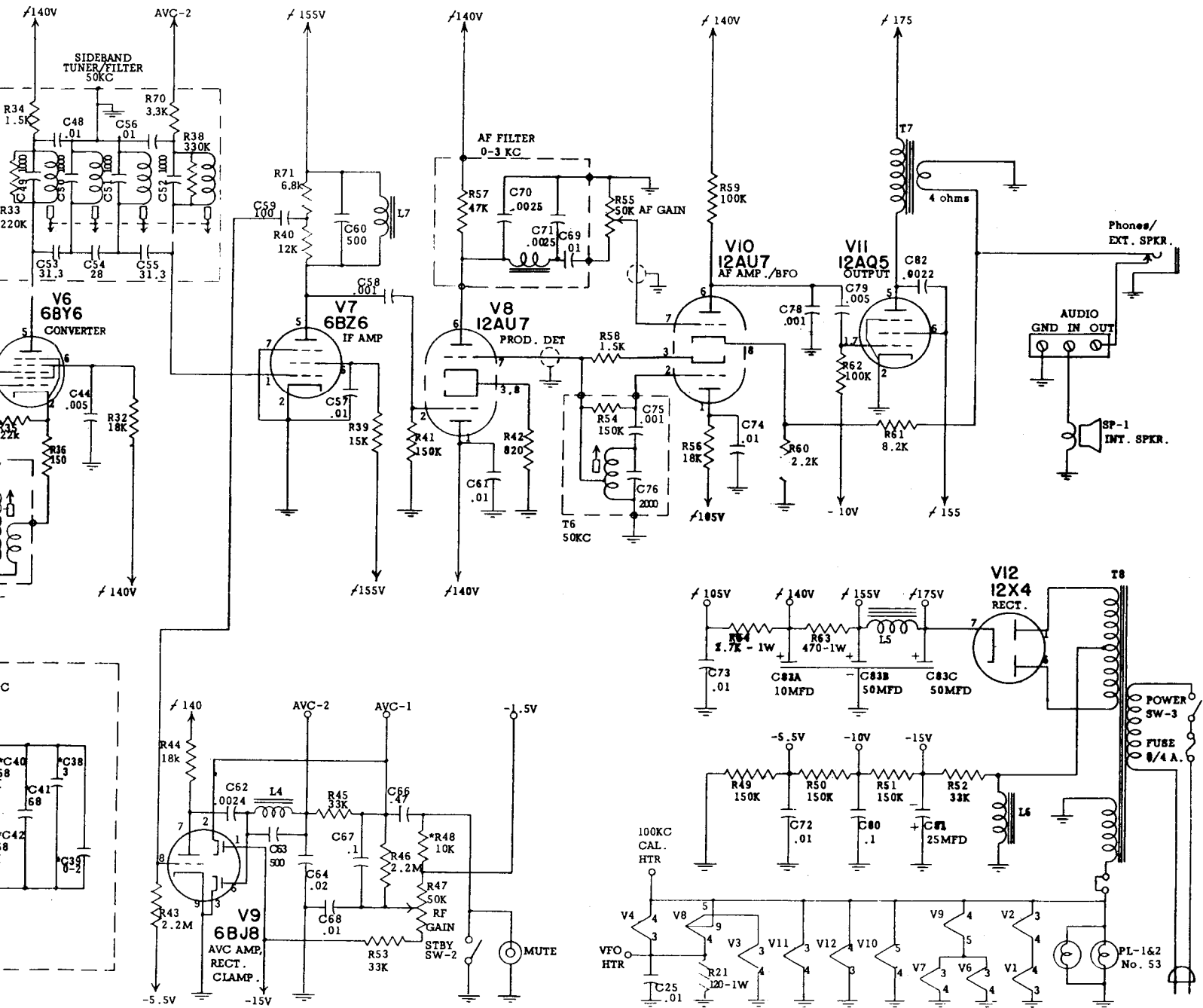




SCHEM

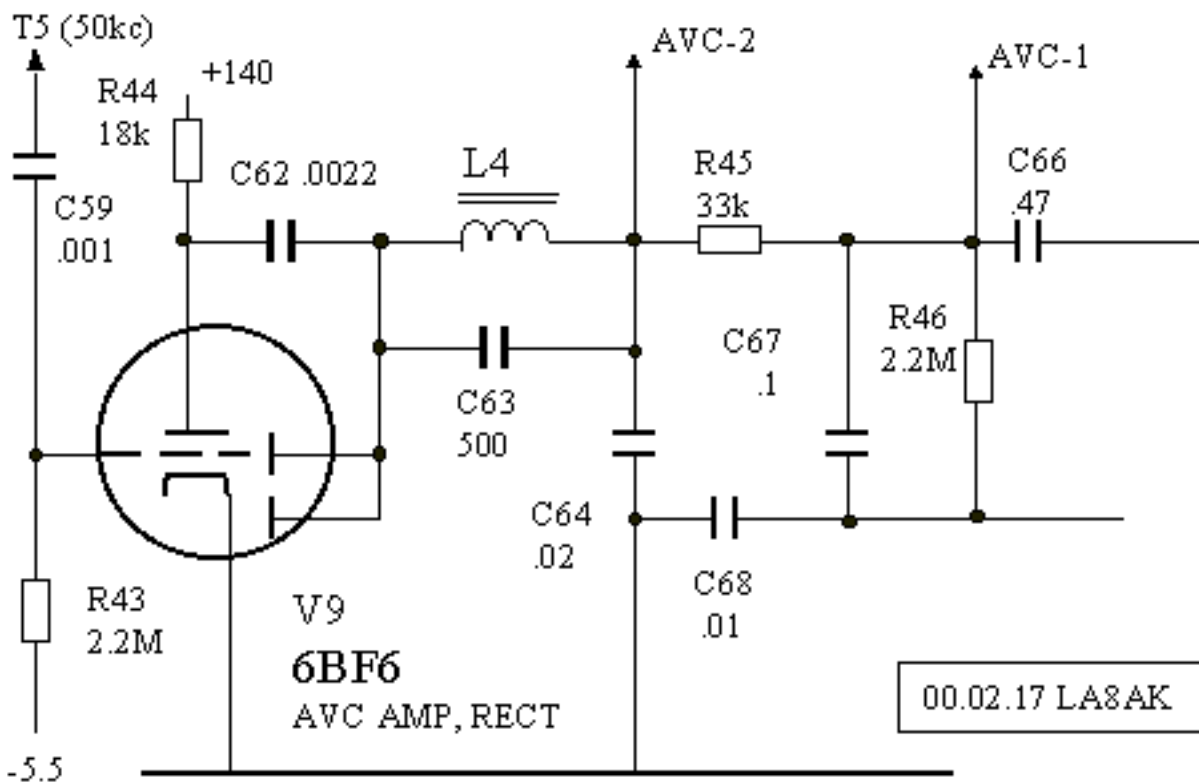


S
C

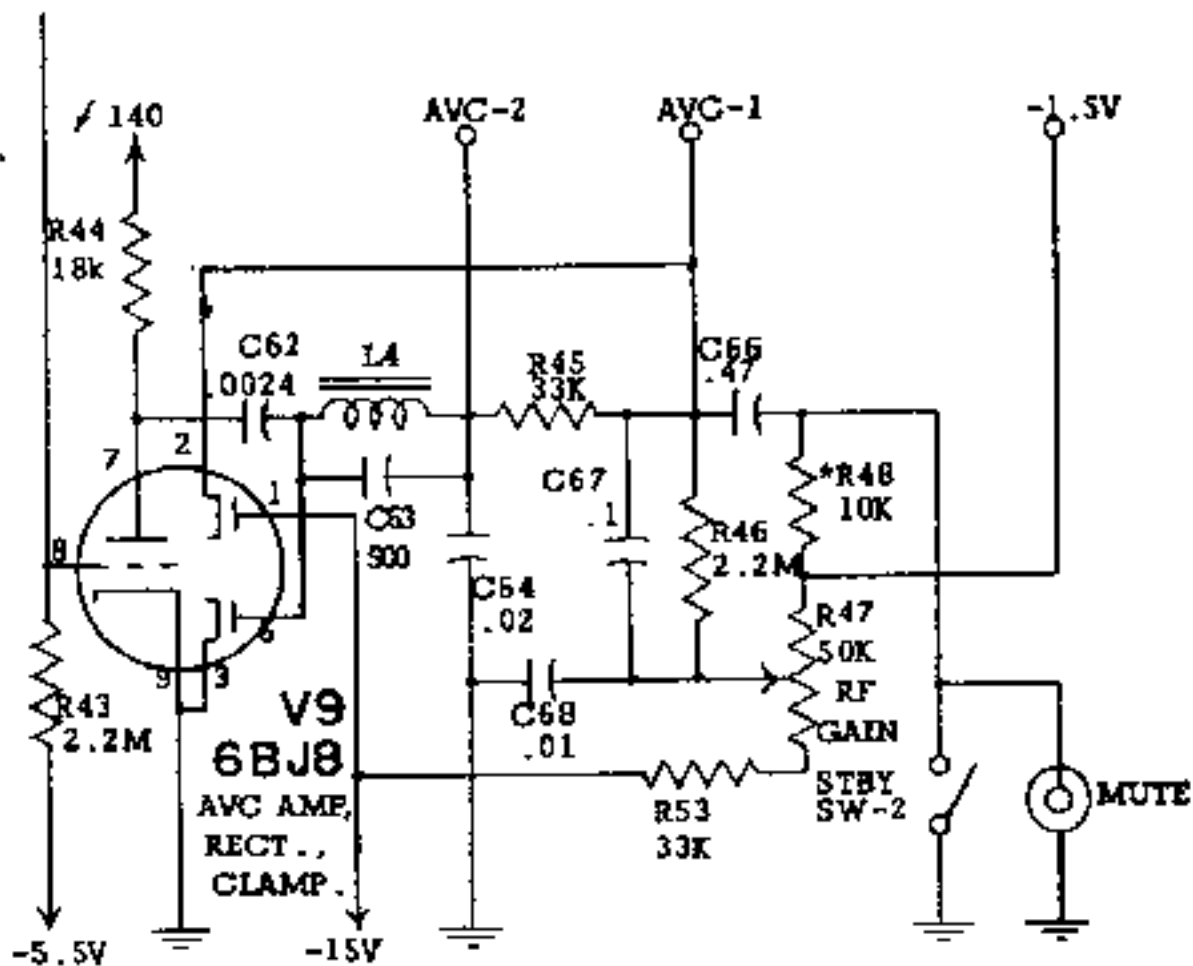


SCHEMATIC DIAGRAM—MODEL I-A SIDEBAND RECEIVER
CIRCUIT REVISION NO. 2 (STARTING SERIAL NUMBER 453)

Differences between 1957 and 1958 versions of Drake 1-A



1-A (1957): T5 - tap to 6BF6, L7 in later version



Drake 1-A (starting with serial number 453 - 1958)