

*Weatherby*

**PATRICIAN  
PUMP  
SHOTGUN**



Instruction Manual  
and Warranty.

---

*Welcome*

---

to the growing family of hunters who have chosen the Weatherby Patrician Pump Shotgun. You will discover that a Weatherby is not a purchase but an investment. It is an investment in the success of all your future bird hunting. In your Weatherby you have a shotgun of outstanding excellence and reliability. Treat it with the normal care you give any of your cherished possessions and it will reward you with a lifetime of service and pleasure.

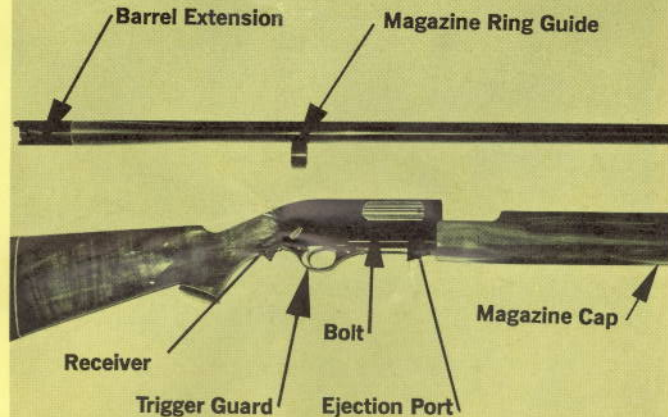
To make sure your Weatherby Factory Warranty goes on file promptly fill out the warranty card attached and mail it within 10 days. Good hunting!

*Roy E. Weatherby*

Roy E. Weatherby

## DIRECTIONS FOR ASSEMBLY:

For convenience in shipping,  
your Weatherby Patrician Pump Shotgun  
has been shipped disassembled (Illustration #1).



#1

## Safety

The safety button is located in the rear of the trigger guard. When pressed through the trigger guard to the right, the gun is on "safe." When the safety button is pressed fully to the left, a red band will become visible and the gun is ready to fire.

**CAUTION:** When loading or unloading your gun, always make sure the safety is in the "safe" position to prevent accidental discharge.

## Disconnecter Lever

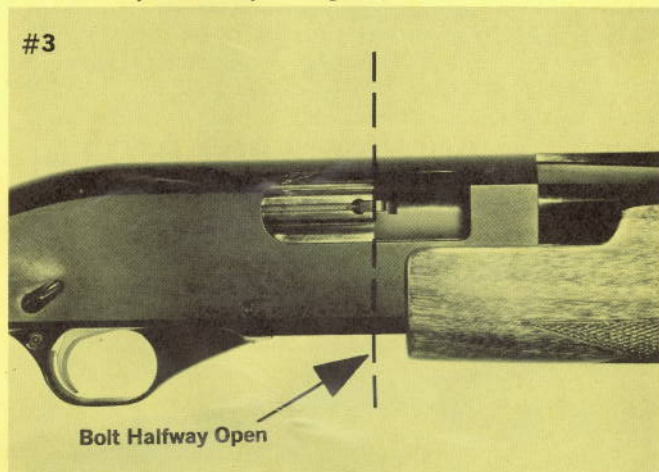
The gold lever on the right side of the receiver is the disconnecter lever. When moved to its forward position, it releases the forearm, permitting you to move the forearm rearward when the gun is cocked (Illustration #2).



## Assembly

Before assembly, inspect barrel to make certain it is clean and free of obstructions.

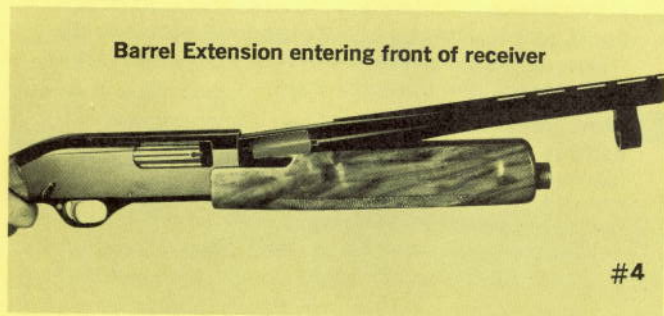
- 1** If gun is uncocked, forearm can be moved rearward. If gun is cocked, forearm is locked and will not move. To release, move disconnecter lever to its forward position. Forearm will now move rearward.
- 2** Move forearm rearward until bolt is approximately halfway open (Illustration #3). (Illustration shows bolt halfway back in ejection port.)



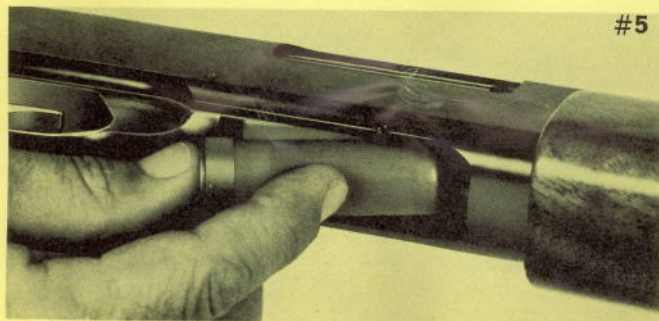
- 3** Unscrew magazine cap.
- 4** Be certain that forearm and bolt are positioned as explained in Step 2. This is the proper position for easiest barrel assembly.



- 5** Place barrel extension into front end of receiver. Make certain that magazine ring guide is aligned with magazine tube (Illustration #4).



- 6** Slide barrel gently rearward until barrel is solidly butted against front of receiver.
- 7** Screw on magazine cap, making sure it is finger tight. Your shotgun is now ready for use.



## LOADING:

Your Weatherby Patrician Pump Shotgun has been plugged at the factory, limiting capacity to three rounds — one in the chamber and two in the magazine.

### To Load The Chamber

- 1** Place safety button in “safe” position.
- 2** Move forearm rearward until bolt is fully open. If forearm will not move, move disconnector lever to its forward position, then slide forearm rearward.
- 3** Drop shell into open ejection port. **DO NOT PLACE SHELL IN CHAMBER.**
- 4** Slide forearm completely forward. This will load the shell in the chamber and lock the action.
- 5** To fully load gun you must now load the magazine.

### To Load The Magazine

- 6** Turn gun until trigger guard is facing up. Make sure safety button is in “safe” position.
- 7** Press shell against front of lifter (Illustration #5). Then slide shell *completely* into magazine tube. Be sure that rim of shell is pushed forward past shell latch and does not slide back over or rest against front of lifter. This can cause a feeding malfunction.
- 8** Repeat above Step 7 to load additional round(s) in magazine.
- 9** Move safety button to fire position. Gun is ready to fire.

### To Load Chamber From Magazine

- 10** After firing the shell in the chamber, additional shells can be fed from loaded magazine by pumping forearm.
- 11** If gun is cocked but chamber is empty, move

disconnecter lever to its forward position, then pump forearm back and forth to feed shell into chamber.

*NOTE: If you wish to fire single shot, simply load chamber as explained in Steps 1 through 4 above. Then move safety button to fire position. Gun is ready to fire.*

## TO UNLOAD:

- 1 Move safety to "safe" position.
- 2 If a loaded round is in the chamber, move disconnecter lever forward and move forearm rearward.
- 3 When bolt is fully opened the shell in chamber will eject and the next round from magazine tube will be released.
- 4 By rolling gun sideways you will allow released shell to drop from ejection port.
- 5 Close action by moving forearm fully forward.
- 6 Push disconnecter lever forward and pull forearm completely rearward.
- 7 Repeat Step 4.

*CAUTION: Check magazine and chamber to be certain gun is empty.*

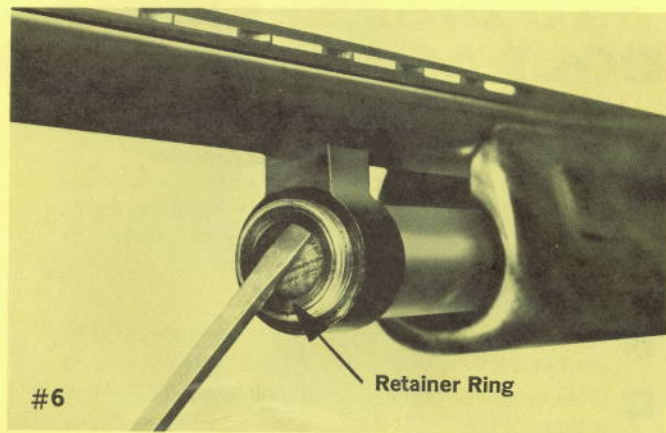
## TO DISASSEMBLE BARREL FROM GUN:

- 1 Make sure gun is unloaded and safety button is in "safe" position.
- 2 Move forearm rearward until bolt face is halfway open (as shown in Illustration #3).
- 3 Unscrew magazine cap.
- 4 Pull barrel gently forward and upward until barrel extension clears front of receiver.
- 5 Replace magazine cap.
- 6 Move forearm fully forward.
- 7 Move safety to fire position and pull trigger.

## PLUG REMOVAL

Your Patrician shotgun actually has a five-shot capacity. To load five rounds — four in the magazine and one in the chamber — remove the magazine plug as follows:

- 1 Be sure gun is unloaded and safety button is in "safe" position.
- 2 Unscrew magazine cap.
- 3 Place the end of screwdriver through the hole in the retainer ring and carefully pry the ring upward until it is freed from the magazine tube (Illustration #6).



- 4 The plug is under spring compression and when the retainer ring is removed, plug will pop up.
- 5 Remove plug. Do NOT remove spring.
- 6 Seat end of spring in retainer ring.
- 7 Reinsert ring into magazine tube by tapping lightly until retainer ring is flush with end of magazine tube.
- 8 Replace magazine cap.

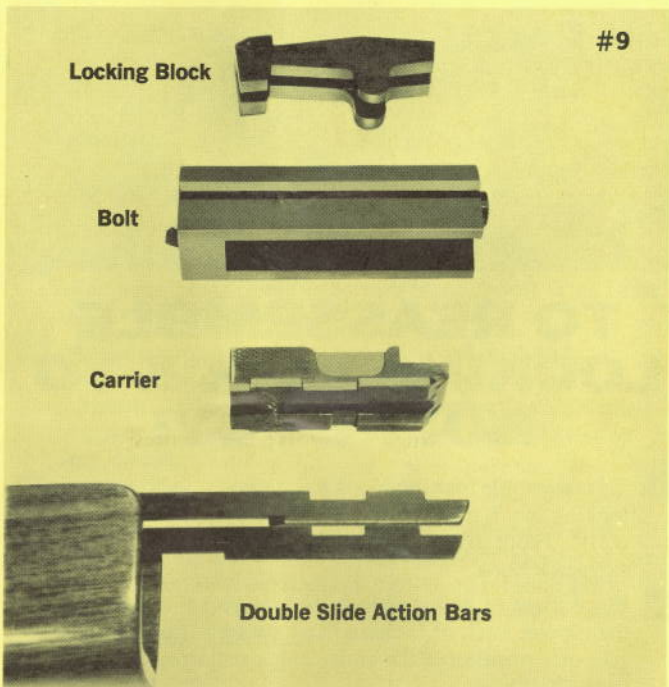




## TO DISASSEMBLE BOLT ASSEMBLY FOR CLEANING:

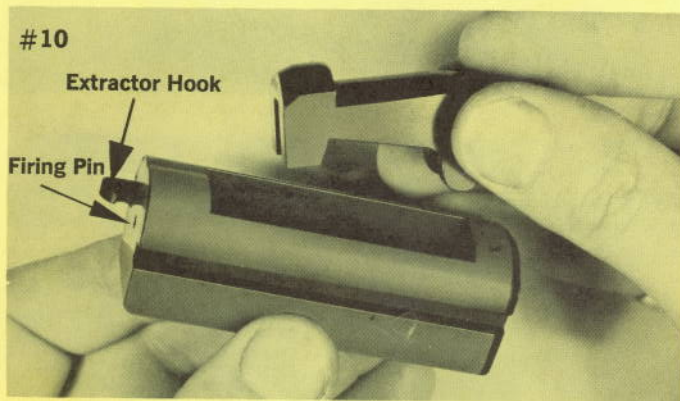
- 1** Slide forearm rearward until bolt face is positioned as shown in Illustration #3. (If gun is cocked, move disconnecter lever forward to permit forearm to move rearward.)
- 2** Unscrew magazine cap.
- 3** Remove barrel by pulling forward and upward gently until barrel extension clears front of receiver.
- 4** Holding gun horizontally pull forward on forearm until it stops. While holding gun in this position, press lifter up with the right index finger or thumb (Illustration #7). Now depress shell latch on left (opposite side of ejection port) side of receiver (Illustration #8). Forearm will now slide completely off magazine tube, freeing it and bolt assembly from receiver.

**CAUTION:** You may wish to turn gun upside down to locate the shell latch, however, make sure that gun is right side up before depressing latch and proceeding



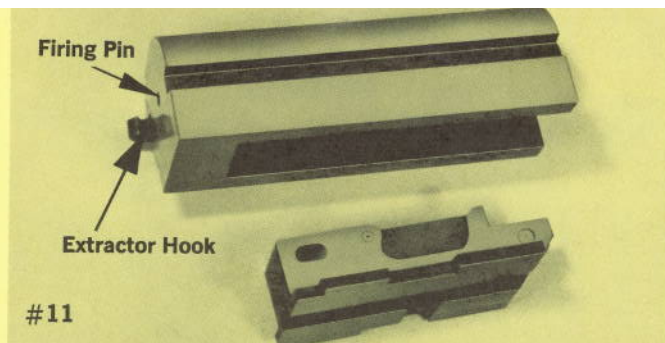
*with disassembly or bolt assembly will drop out!*

- 5 With forearm assembly removed from gun, locking block, bolt and carrier may be lifted from slide action bars (Illustration #9).
- 6 Lift bolt from carrier and remove locking block from bolt.
- 7 Brush with evaporative solvent to clean.



## TO REASSEMBLE LOCKING BLOCK TO BOLT BODY:

- 1 To reassemble locking block to bolt body, locking lug on locking block must be toward front of bolt (Illustration #10). Front of bolt can be identified by firing pin and extractor hook.
- 2 Place front of locking block into the recess in bolt body then lower back of locking block into position. When properly positioned the entire block will drop into place in the bolt body.

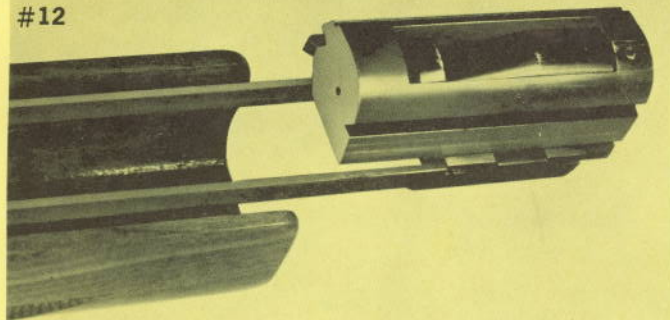


## TO ASSEMBLE BOLT BODY TO CARRIER:

- 1 To assemble bolt body to carrier, pick up bolt body (with locking block already assembled) and place over carrier. Be certain that large flat surface of the carrier is positioned toward the front of the bolt, while the step at the back of the carrier is positioned to the back of the bolt (Illustration #11).
- 2 Place carrier and bolt assembly in grooves provided in slide action bars, making certain front of bolt faces front of forearm (Illustration #12).
- 3 Making certain that bolt assembly is aligned with receiver, push forearm onto magazine tube. Move forearm gently rearward until bolt has been pushed into receiver to its stop. Bolt will be approximately halfway into action.
- 4 Turn gun over so trigger guard is facing up.
- 5 Place one hand on forearm. With index finger of other hand, depress lifter fully. With a sideward motion of the index finger, depress shell latch fully on ejection port side of receiver. Move forearm rearward very slightly until it stops again (Illustration #13).



#12



- 6 Now depress shell latch on other side of receiver and move forearm rearward completely to stop.
- 7 Move disconnecter lever forward.
- 8 Move forearm rearward to completely open action.
- 9 Now reposition forearm to proper position for reassembly of barrel to gun (see Illustration #3).
- 10 Reassemble barrel and magazine cap to gun.

#13



## TO REMOVE TRIGGER



- 1 Place safety button in "safe" position.
- 2 Cock gun by pumping action.
- 3 From left side of receiver tap out front trigger plate pin with a punch (Illustration #14).
- 4 Next tap out disconnecter lever pin.
- 5 Place gun with trigger guard facing up.
- 6 Lift rear of trigger assembly out of receiver until completely removed.
- 7 Leave trigger in cocked position and clean as a unit with solvent. After cleaning wipe dry and re-oil lightly. In the event trigger is pulled while cleaning, simply depress hammer back to cocked position (Illustrations #15 and 16).
- 8 Replace trigger assembly by placing front of trigger in action first, then lower rear of trigger assembly gently into receiver.

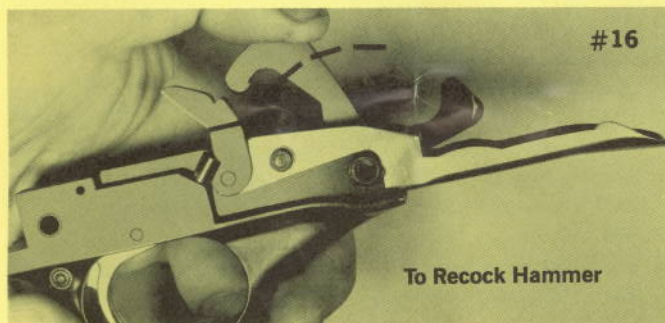


- 9** Make certain that trigger assembly is properly aligned in receiver and then replace disconnecter lever pin. Pin can be pushed into position by hand. If pin will not completely reinsert so that end of pin is flush with receiver, rotate the pin by the disconnecter lever and continue pushing until complete seating has been achieved.

- 10** Reinsert front trigger plate pin to stop. Make certain that pin is aligned with hole in trigger assembly. Tap with a hammer until pin is completely resealed.



Hammer in Fired Position



To Recock Hammer

## ADDITIONAL INFORMATION AND SUGGESTIONS:

### Cleaning

Before you fire your Patrician, make sure all grease and oil is wiped from the inside of the barrel and chamber. All metal surfaces inside and out should be cleaned and wiped with an oily patch after each use. Apply a light coat of oil only as excess oiling will cause an accumulation of dust and burnt powder that may contribute to the malfunction of the gun. When storing for long periods, apply gun grease to all metal parts and keep in dry place. Do not plug muzzle with grease or any other obstruction.

### Ammunition

Models marked "PATRICIAN" only are chambered to accept all standard factory 12 gauge  $2\frac{3}{4}$ " and  $2\frac{3}{4}$ " magnum shells. They will not accept 3" shells.

Models marked "PATRICIAN II" are chambered to accept all standard factory 12 gauge  $2\frac{3}{4}$ ",  $2\frac{3}{4}$ " magnum, and 3" magnum shot shells.

# Barrel Lengths and Chokes

The 12 gauge Weatherby Patrician Pump Shotgun is available in 3 barrel lengths in the following chokes:

26" Imp. Cyl.  
Mod.  
Skeet

28" Full  
Mod.  
30" Full

Interchangeable barrels are available.

**CAUTION:** The accidental chambering and discharge of shells of the wrong gauge can result in damage to your gun. As a precautionary measure, carry only the proper gauge ammunition with you when in the field. Before firing for the first time, be certain that all grease is wiped from the inside of the barrel and the chamber.

## FULL ONE-YEAR WARRANTY

WEATHERBY firearms are warranted by Weatherby, Inc. to be free of defects in materials or workmanship for a period of one year from the date of first purchase by a consumer. For the warranty to become effective, a warranty registration card must be completed and mailed to Weatherby, Inc. within ten days after purchase.

Weatherby, Inc. shall not be responsible for defects resulting from ordinary wear and tear, alterations by unauthorized persons, accident, misuse of incorrect or other than factory loaded ammunition, or failure to provide reasonable and normal maintenance.

Should any defect in original materials or workmanship appear during the warranty period, it will be remedied without charge to the owner, provided the firearm is delivered, transportation prepaid, to Weatherby, Inc. or any of its authorized service centers (names and addresses of which will be supplied by Weatherby, Inc. on request), and is deemed defective upon inspection by its gunsmiths. Firearms must be accompanied by a letter explaining the problem experienced, and should be insured by owner at time of shipment, as Weatherby, Inc. can accept no responsibility for damage or loss in transit. Weatherby, Inc. will pay all necessary transportation and insurance charges for return of the firearm to owner if it is accepted for service under this warranty.

**WEATHERBY, INC. SHALL NOT BE LIABLE FOR ANY CONSEQUENTIAL, INCIDENTAL OR CONTINGENT DAMAGES.**

Some states do not allow the exclusion of incidental or consequential damages, so the above limitation may not apply to you.

This warranty gives you specific legal rights, and you may also have others which vary from state to state. It complies with Federal statutes and regulations effective December 31, 1976, and replaces and supercedes any other warranty which may be packaged with the firearm or which may be contained in any other printed instructional or informational materials.