



TRADITIONS™
by **FAUSTI**

INSTRUCTION MANUAL

GUN SAFETY RULES

Please read and observe these safety guidelines before handling your gun:

- *Be sure that the barrels are clear of any obstructions before loading. Make it a habit to check both barrels every time before reloading.*
- *Before setting off on a hunt or starting a round of skeet or trap, make sure that you have the proper ammunition. A 20 gauge shell will enter a 12 gauge chamber far enough to leave room for a 12 gauge shell behind it. A damaged gun and possible injury to the shooter will result if the barrel is fired. Also, a 3 inch shell will chamber into a 2 3/4 inch chamber, but the crimp at the mouth will unfold into the forcing cone, causing possibly unsafe pressure.*
- *Store guns and ammunition separately, beyond the reach of children.*
- *Never climb a tree or fence, or jump a ditch, with a loaded gun. Open the barrels, remove the shells, and hand the gun to a friend or place it on the ground on the other side of the obstacle before crossing it yourself.*
- *Never place a loaded gun into a vehicle or lean the gun against any object. The gun should be emptied and placed into a case when not in use.*
- *Keep safety on at all times. Move to "Off" position only when you are sure that a shot is imminent.*
- *While loading or unloading, make sure that the gun is pointed in a safe direction. Keep finger off trigger while operating the action.*
- *Treat every gun as if it is loaded.*
- *Watch the muzzle at all times: never point the gun, accidentally or while horseplaying, at anything you do not want to shoot. Identify the target before shooting; do not shoot at sounds.*
- *Avoid alcoholic beverages before or during shooting.*
- *If you do not thoroughly understand the proper use and care of your gun, seek the advice of someone you know is competent.*
- *Don't abuse your gun or your hunting privileges. Both can be taken away from us due to public pressure against "slob" hunters.*

INTRODUCTION

*We at **TRADITIONS by Fausti** thank you for the privilege of delivering a product to you that will provide you with years of pleasurable use. Happy shotgunning.*

ABOUT YOUR DOUBLE BARREL SHOTGUN

Double barrel shotguns are made in two styles, over/under, named for the barrels that are stacked one on top of the other and side-by-side, named for the barrels that sit side-by-side.







Two firing mechanisms are available in these double barrel shotguns. Boxlocks house the firing mechanism behind a false breech and are enclosed in a metal frame and sidelocks have the firing mechanism attached directly to the sideplates. Sidelock guns are more expensive because of the amount of precision workmanship that goes into fitting the mechanism into the stock and the engraving done to decorate the sideplates. This workmanship is what makes these guns beautiful, finely operating shotguns.

Two shotshell removing mechanisms are used in shotguns. The extractor is the basic means of shell removal. The extractor merely elevates the head of the shell from the chamber so it can be removed.

Ejectors do what you would imagine, it ejects the shells. Our ejectors are automatic selective ejectors which means it ejects only the fired shell or shells.

Triggers come in three types, double, single and single selective. Double triggers have one barrel assigned to each trigger. The single trigger fires the barrels in a set order. The single selective works like the single except it has a button that allows you to select the barrel to be fired first.

The choke is what controls the openness or tightness of the pattern of your shotgun. The chart below lists the choke available (from open to tight) and the corresponding notches that indicate the choke of your specific shotgun.

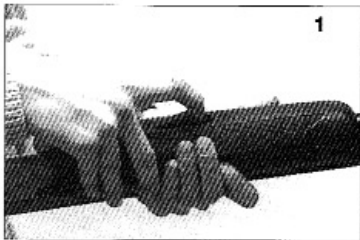
| | OPEN | | | | TIGHT | |
|------------|---|---|---|---|---|---|
| | SKEET | IC | M | IM | F | XF |
| CHOKE TUBE |  |  |  |  |  |  |
| NOTCHES | 5 | 4 | 3 | 2 | 1 | 2 |

Never fire gun or run cleaning tools through the barrel of a choke tubed gun without having the choke tubes installed. The threads of the choke tube and the internal threads of the barrel should be cleaned after each use and before installation of tube(s).

To install tubes, insert tube in barrel and tighten with fingers. Once tube is finger tightened, tighten with wrench or quarter until snug. DO NOT over tighten or forcefully tighten with wrench.

ASSEMBLY

1. Clean dirt and excess oil from gun especially in the breech area and barrel interior and ends.
2. Make sure there are no shells in the chamber. Remove the forearm by pulling out on the forearm release latch or depressing the forearm release button. The forearm will separate from the barrel by allowing the nose of the forearm to drop and moving it forward. (Photo 1)



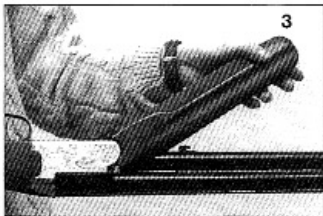
3. Lightly oil the already cleaned contact points. Attach barrels to action by grasping the grip of the stock with right hand and placing the stock under right arm. With your right thumb move the opening lever to the right. Now hold the barrels with your free hand and slide the barrels through the top of the receiver with the barrel nose pointing down, until the hinge notch engages with the hinge pins. (Photo 2)



4. Keeping the hinge pin notch engaged with the hinge pin, lift the nose of the barrels until the action closes.

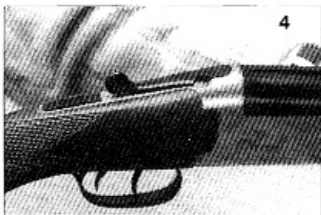
Caution: if as you attempt to close the gun the barrels bind or don't seem to fit, then hinge pin and notch are not engaged. DO NOT FORCE, try again. Release the opening lever and barrels will be locked in place.

5. Replace the forearm on the gun by sliding the rear of the forearm into the barrel at the same angle by which you removed it. The round rear of the forearm should match the round front of the receiver, when it does, lift the nose of the forearm until it engages with the barrels with an audible click. If the forearm released latch protrudes after the click, gently push it in place. (Photo 3)



LOADING AND OPERATING YOUR SHOTGUN

1. Slide the safety, located on the tang of the receiver, toward butt of gun into the safe position (indicated by the exposed "S" or safe). (Photo 4)



2. Check bores for obstructions, dirt and excess oil.
Caution: Even the smallest obstruction can increase barrel pressure enough to explode.
This may result in serious injury to shooter and others in the vicinity. Insert shells into chamber or chambers you plan to fire.
Caution: Make sure the shells are of the proper gauge and chamber length for your gun.

Warning: TRADITIONS by Fausti is not responsible for damage to gun or shooter caused by malfunctioning, new, remanufactured, reloaded or hand loaded ammunition.

CLOSE GUN

3. Selection of barrel firing order is determined by (a) selector button (same as safety button), moving button to the right fires bottom first and to left fires top first or by (b) selector lever in front of trigger, lever moved to the left fires bottom barrel first and to the right fires top barrel first.
4. When contemplating firing your gun be sure of target, background and the location of persons whom have accompanied you or may be occupying areas in your vicinity. Pick your target, release safety, by sliding it forward with your thumb and squeeze the trigger with your forefinger.
5. Press the opening lever to right, open gun. Fired shells will be ejected and unfired shells will be elevated above chamber on models with automatic selective ejectors. Models with extractors will elevate both fired and unfired shells above the chamber.
Caution: In case of misfired, wait a minimum of 30 seconds keep barrels pointed in a safe direction, carefully open action away from yourself and others. If primer or rim is indented the shell should be disposed of in a manner that would prevent accidental injury to you or others. If there is no identification your gun has malfunctioned and should be serviced by a qualified gunsmith. If the gun is under warranty it must be serviced by **TRADITIONS by Fausti**.

DISASSEMBLY

1. Make sure chambers are empty. Close gun. Place the gun button your thigh and remove forearm by pulling the forearm release latch or pressing forearm release button. While pulling the nose of the forearm away from the barrels slide forearm forward until separated from the barrels.
2. Separate the barrels from the receiver by holding the stock of the gun in your right hand and the barrels in your left. Push the opening lever to the right with your thumb. Allow the nose of the barrels to drop and lift the barrels upward out of the receiver.
3. For over-under shotgun close the top lever by pressing on the button located in the action. (Photo 5)
4. The gun can now be cleaned and the forearm should be reattached to the barrel for storage.



MAINTENANCE AND CLEANING

1. *Make sure that the broad, polished, finely fitted mating surfaces of the breech block and receiver are especially clean and lightly oiled with a high quality gun oil. Not pure silicone or lanolin.*
2. *After use, run an oiled patch throughout the bore with a cleaning rod starting from the breech end. To prevent fouling use a cleaning solvent and brass brush to clean the bore periodically. Follow this cleaning with one or two clean oiled patches.*

Important: *If your gun is equipped with choke tubes do not use a brass brush to clean gun unless choke tubes are installed. Choke tubed guns must also have the choke tubes removed to clean and oil the threads inside the barrel along with the choke tubes themselves. This will protect the threads from being damaged by cleaning tools and also prevent a dirt build up that would cause the choke tube to become difficult to remove from the barrel.*

Damage can result to choke tubes and barrel when attempting to remove sticky choketubes. Never fire your gun without choke tubes snugly tightened in barrels. Do not overtighten choke tubes. Wipe all exposed metal surfaces with an oiled cloth before storing. Do not squirt or pour oil into the inside mechanism for it may hamper proper functioning and professional cleaning and lubrication.

3. *Care for your gun wood the same way you would a piece of furniture with the same finish.*

STORAGE

Clean thoroughly and oil your gun before storage. Store in a dry place to prevent corrosion.

Store away from children and other undesired curious individuals.

AMMUNITION

All Fausti Cav. Stefano & figlie over and under and side-by-side shotguns are designed and tested for the use of factory manufactured shotgun shells. Use shot shells of the proper gauge and chamber length as marked on the barrels.

3 1/2" chambers will handle all 3 1/2", 3" and 2 3/4" shells.

3" chambers will handle all 3" and 2 3/4" shells.

2 3/4" chambers will handle 2 3/4" shells only.

USAGE OF STEEL SHOT

The choke (bore constriction) in all modern shotguns has been established based on the pattern performance of shot shells loaded with lead shot. When using steel shot shells, you will notice a different performance in pattern density versus the established lead shot pattern, because the steel shot is much harder and lighter than lead shot.

You should be aware of the following differences and cautions:

- 1. Never shoot steel shot loads in a full choked barrel or a barrel with screw-in choked tighter than modified. To do so may cause the barrel to swell or rupture.*
- 2. In general steel shot fired with a modified choke will produce the equivalent of a lead full choke pattern. This will be true of all steel shot sizes up to and including n.o 2. The established improved cylinder chokes will produce the equivalent of a (lead) modified choke pattern.*
- 3. All steel shot sized larger than n.o 2, and including special sized such as "F", "T", etc., should only be used with improved cylinder chokes.
These steel shot size, when used in improved cylinder chokes, will produce patterns equivalent to (lead) full choke patterns. The cylinder choke or bore will produce the equivalent of a modified (lead) pattern.*
- 4. If shooting slug or buckshot in your shotguns, use the improved cylinder or skeet choke tube.*

Additional information concerning the use of steel shot is available from Remington, Winchester, and Federal ammunition companies.

SHIPPING

When returning your gun for service please take care in packing your gun make sure gun is unloaded. Disassemble your gun, reattach forearm to barrel, wrap in a paper or other protective media and place gun in the original box. Take special care to make sure that the parts of a broken down gun will not rub or bump each other during shipping and damage the wood and metal.

(THIS BOX WILL PROTECT THE GUN BUT IS NOT DESIGNED FOR SHIPPING).

Wrap box in a card board box approved for interstate shipping strength. TRADITIONS by Fausti is not responsible for damage incurred during shipping. Ship the firearm prepaid to:

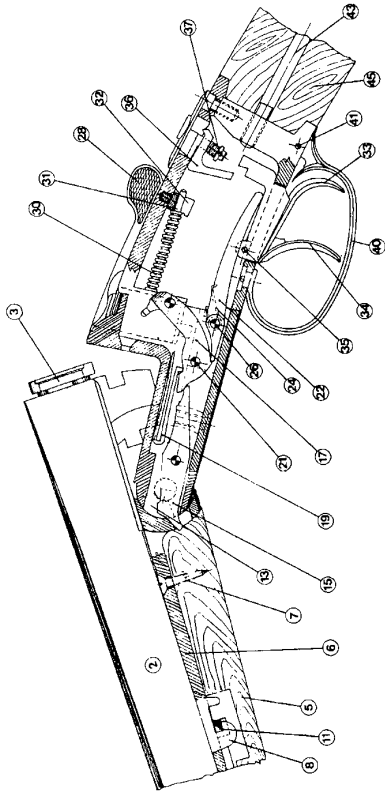
TRADITIONS
1375 Boston Post Rd
Old Saybrook, CT 06475

With your gun please include a note with an explanation of the problem, a return shipping address (note: we cannot deliver to a PO Box) and a telephone number. You need a return authorization number before you ship a gun back to TRADITIONS by Fausti.

PARTS

*To order parts, please furnish the following: Your name, address, telephone number, serial number, make and model.
When we receive your request, we will send a parts breakdown with prices.*

SIDE BY SIDE ELITE



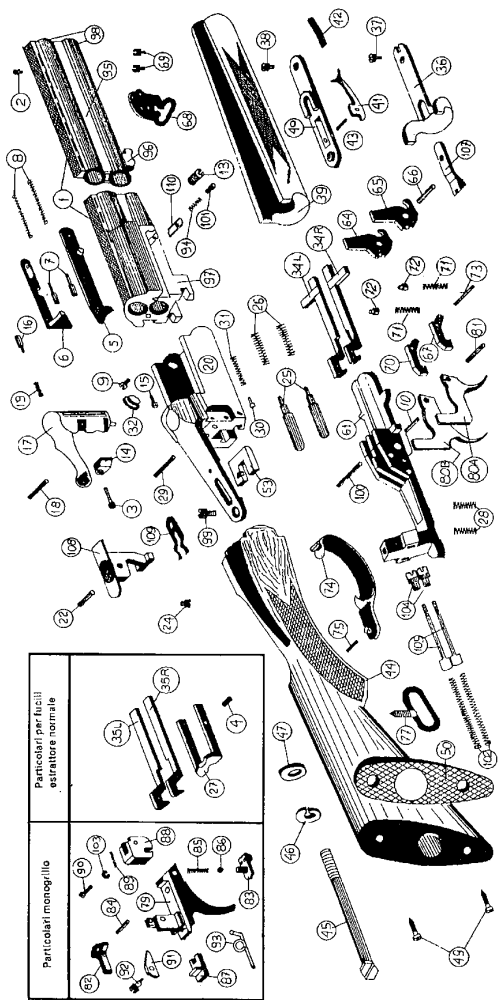
- 1 Sight bead
- 2 Barrel assembly
- 3 Extractor
- 4 Extractor screw
- 5 Forearm
- 6 Forearm iron
- 7 Forearm iron screw
- 8 Forearm latch
- 9 Forearm latch plunger
- 10 Forearm latch spring
- 11 Forearm latch plate
- 12 Forearm latch screw

- 13 Extractor actuator
- 14 Actuator pin
- 15 Cocking lever (2)
- 16 Lever pin (2)
- 17 Hammer (L)
- 18 Hammer (R)
- 19 Hammer spring (L)
- 20 Hammer spring (R)
- 21 Hammer pin (1)
- 22 Seal (L)
- 23 Seal (R)
- 24 Sear spring (L)

- 25 Sear spring (R)
- 26 Sear pin (1)
- 27 Locking bolt
- 28 Opening lever
- 29 Lever pin
- 30 Lever spring
- 31 Lever guide
- 32 Lever guide stud
- 33 Trigger (L)
- 34 Trigger (R)
- 35 Trigger pin (1)
- 36 Safety lever

- 37 Lever spring
- 38 Lever spring pin
- 39 Catch button
- 40 Trigger guard
- 41 Guard pin
- 42 Tang screw
- 43 Stock bolt
- 44 Stock bolt washer
- 45 Butt stock
- 46 Butt plate

OVER AND UNDER FROM 12 TO 410 GA



When ordering, please indicate correct gauge of shotgun for which parts are required

- | | | |
|---|-------------------------------|--|
| 1 Superior rib | 36 Fore-end iron | 77 Sling swivel |
| 2 Front sight | 37 Fore-end iron screw | 79 Single trigger |
| 4 Extractor screw | 38 Forearm iron screw | 80A Right trigger |
| 5 Right extractor | 39 Forearm wood | 80B Left trigger |
| 6 Left extractor | 40 Forearm catch plate | 81 Trigger pin |
| 7 Extractor spring guide | 41 Forearm catch | 82 Single trigger-Revers gear |
| 8 Extractor spring | 42 Forearm catch plate spring | 83 Revers gear-Botton |
| 13 Extractor stop piston | 43 Forearm catch pin | 84 Revers gear-Pin |
| 14 Cross bolt | 44 Stock | 85 Revers gear-Spring |
| 15 Spindle | 45 Stock bolt | 86 Sphere |
| 16 Cross bolt stop piston | 47 Stock bolt washer | 87 Single trigger truck |
| 17 Top lever | 49 Butt plate screw | 88 Single trigger mass |
| 18 Top lever screw | 50 Rubber recoil pad | 89 Inertia block spring |
| 19 Stop piston spring spindle | 61 Trigger plate | 90 Mass pin |
| 20 Frame | 62 Cocking toggle | 91 Inertia block |
| 22 Safety pin | 63 Cocking toggle pin | 92 Balance screw |
| 24 Safety screw | 64 Left hammer | 93 Single trigger spring |
| 25 Firing pin (upper and lower) | 65 Right hammer | 94 Catch plate spring |
| 26 Firing pin springs | 66 Hammer pin | 95 Lateral rib |
| 27 Normal extractor | 67 Right sear | 99 Trigger plate screw |
| 28 Trigger spring | 68 Front sling swivel | 100 Trigger plate pin |
| 29 Firing pin stop pins | 69 Sling swivel screws | 101 Catch plate piston |
| 30 Spring pin spindle | 70 Left sear | 102 Hammer spring |
| 31 Spring spindle | 71 Sear spring | 103 Elastic security single trigger ring |
| 34L Left automatic ejector cocking bar | 72 Sear sling screw | 107 Cocking hook |
| 34R Right automatic ejector cocking bar | 73 Sear pin | 108 Safety |
| 35L Left normal extractor cocking bar | 74 Trigger guard | 109 Safety spring |
| 35R Right normal extractor cocking bar | 75 Trigger guard stop pin | 110 Right/left extractor catch plate |

SERVICE AGREEMENT AND LIMITED WARRANTY

TRADITIONS by Fausti agrees to service its products free of charge for defects in materials and workmanship in accordance with the service agreement listed below. The obligation of TRADITIONS by Fausti under this agreement is limited to the repair or replacement of unserviceable parts and does not cover any incidental or consequential damages. Other than the express warranty contained herein TRADITIONS by Fausti makes no warranties, express or implied.

TRADITIONS by Fausti will repair or replace any unserviceable part(s), with exception to wood, for one (1) year from date of purchase and further will supply free parts (wood not included) for an additional four (4) years in accordance with the above warranty statement provided your firearm is unloaded take out send it to TRADITIONS by Fausti.

This agreement and the warranties contained herein are void if your registration card is not received with a copy of your sales slip within 30 days from date of purchase.

PURCHASER'S RECORD

Model Number _____

Purchase Date _____

Gauge or Caliber _____

Serial Number _____

Purchase Price _____

Store Name _____

All correspondence regarding **service, spare parts** or **repair** should be directed to:

THANK YOU

Thank you for purchasing an TRADITIONS by Fausti shotgun. We are sure this gun will bring you years of hunting and/or shooting pleasure. Your satisfaction is the key to our success. Please let us know if we can be of service and please relay any observations about your guns performance or appearance.

Seal card here

WARRANTY REGISTRATION CARD

1. Mr. Mrs. Ms. Miss Dr. Company School Club

First Name

| | | | | | | | | | | | | | | | | | | | |
|--|--|--|--|--|--|--|--|--|--|--|--|--|--|--|--|--|--|--|--|
| | | | | | | | | | | | | | | | | | | | |
|--|--|--|--|--|--|--|--|--|--|--|--|--|--|--|--|--|--|--|--|

Initial

| | |
|--|--|
| | |
|--|--|

Last Name

| | | | | | | | | | | | | | | | | | | | |
|--|--|--|--|--|--|--|--|--|--|--|--|--|--|--|--|--|--|--|--|
| | | | | | | | | | | | | | | | | | | | |
|--|--|--|--|--|--|--|--|--|--|--|--|--|--|--|--|--|--|--|--|

Street

| | | | | | | | | | | | | | | | | | | | |
|--|--|--|--|--|--|--|--|--|--|--|--|--|--|--|--|--|--|--|--|
| | | | | | | | | | | | | | | | | | | | |
|--|--|--|--|--|--|--|--|--|--|--|--|--|--|--|--|--|--|--|--|

Apt. No.

| | | | | | | | | | | | | | | | | | | | |
|--|--|--|--|--|--|--|--|--|--|--|--|--|--|--|--|--|--|--|--|
| | | | | | | | | | | | | | | | | | | | |
|--|--|--|--|--|--|--|--|--|--|--|--|--|--|--|--|--|--|--|--|

City

| | | | | | | | | | | | | | | | | | | | |
|--|--|--|--|--|--|--|--|--|--|--|--|--|--|--|--|--|--|--|--|
| | | | | | | | | | | | | | | | | | | | |
|--|--|--|--|--|--|--|--|--|--|--|--|--|--|--|--|--|--|--|--|

State

| | |
|--|--|
| | |
|--|--|

Zip

| | | | | | | | | | |
|--|--|--|--|--|--|--|--|--|--|
| | | | | | | | | | |
|--|--|--|--|--|--|--|--|--|--|

Phone Number

| | | | | | | | | | | | | | | | | | | | |
|--|--|--|--|--|--|--|--|--|--|--|--|--|--|--|--|--|--|--|--|
| | | | | | | | | | | | | | | | | | | | |
|--|--|--|--|--|--|--|--|--|--|--|--|--|--|--|--|--|--|--|--|

2. Date of Purchase

| | |
|--|--|
| | |
|--|--|

Mo.

| | |
|--|--|
| | |
|--|--|

Day

| | |
|--|--|
| | |
|--|--|

Yr.

| | | | | | | | | | | | | | | | | | | | |
|--|--|--|--|--|--|--|--|--|--|--|--|--|--|--|--|--|--|--|--|
| | | | | | | | | | | | | | | | | | | | |
|--|--|--|--|--|--|--|--|--|--|--|--|--|--|--|--|--|--|--|--|

Country

3. Firearm purchased:

| | | | | | | | | | | | | | | | | | | | |
|--|--|--|--|--|--|--|--|--|--|--|--|--|--|--|--|--|--|--|--|
| | | | | | | | | | | | | | | | | | | | |
|--|--|--|--|--|--|--|--|--|--|--|--|--|--|--|--|--|--|--|--|

Style:

| | | | | | | | | | | | | | | | | | | | |
|--|--|--|--|--|--|--|--|--|--|--|--|--|--|--|--|--|--|--|--|
| | | | | | | | | | | | | | | | | | | | |
|--|--|--|--|--|--|--|--|--|--|--|--|--|--|--|--|--|--|--|--|

Model:

| | | | | | | | | | | | | | | | | | | | |
|--|--|--|--|--|--|--|--|--|--|--|--|--|--|--|--|--|--|--|--|
| | | | | | | | | | | | | | | | | | | | |
|--|--|--|--|--|--|--|--|--|--|--|--|--|--|--|--|--|--|--|--|

Gauge:

| | | | | | | | | | | | | | | | | | | | |
|--|--|--|--|--|--|--|--|--|--|--|--|--|--|--|--|--|--|--|--|
| | | | | | | | | | | | | | | | | | | | |
|--|--|--|--|--|--|--|--|--|--|--|--|--|--|--|--|--|--|--|--|

Barrel length:

| | | | | | | | | | | | | | | | | | | | |
|--|--|--|--|--|--|--|--|--|--|--|--|--|--|--|--|--|--|--|--|
| | | | | | | | | | | | | | | | | | | | |
|--|--|--|--|--|--|--|--|--|--|--|--|--|--|--|--|--|--|--|--|

Serial Number:

4. Purchase Price (not including any trade-in):

\$

5. Where purchased:

1. Gun Shop
2. Sporting Goods store
3. Discount store
4. Department store
5. Hardware store
6. Gift
7. Other (specify) _____

Store name _____

Address _____

City _____ State _____ Zip _____

Phone _____

6. Its this your first TRADITONS by Fausti gun?

1. Yes
2. No

7. Date of birth of product owner:

8. Your annual family income is:

1. Under \$ 10,000
2. \$ 10,000-\$ 14,999
3. \$ 15,000-\$ 19,999
4. \$ 20,000-\$ 24,999
5. \$ 25,000-\$ 29,999
6. \$ 30,000-\$ 34,999
7. \$ 35,000-\$ 39,999
8. \$ 40,000-\$ 44,999
9. \$ 45,000-\$ 49,999
10. \$ 50,000 & over

9. Occupation of owner of gun:

1. Sales/Marketing
2. Service/Middle Mgt.
3. Craftsman/Tradesman
4. Professional/Technical
5. Upper Mgt./Administration
6. Physician/Dentist
7. Homemaker
8. Student
9. Retired

11. Why did you choose a Traditions by Fausti firearm?

1. Advertisement
2. Recommendation Dealer
3. Reputation
4. Features, appearance, quality
5. Price
6. Personal preference
7. Previous Traditions owner

12. Which magazines do you read, relating to the hunting/shooting industry?

1. _____

2. _____

3. _____

Put Stamp Here
The Post Office
will not deliver
mail without
postage.

TRADITIONS™

**1375 Boston Post Rd
Old Saybrook, CT 06475**

TRADITIONS™

TRADITIONS, appreciates your taking the time to complete this card.
This information will help us to serve you better in the future.

www.traditionsfirearms.com

BE COURTEOUS

When shooting or hunting always acquire the permission of the landowner. Respect the land. Do not litter, use gates when possible, leave open gates open and closed gates closed. Drive vehicles only where advance permission has been granted and always express gratitude for use of another persons land. Offer your labor or game as repayment for the privilege of use. Remeber you are helping develop a reputation for all sportsmen/sportswomen.

TRADITIONS™

TRADITIONS
1375 Boston Post Rd
Old Saybrook, CT 06475
www.traditionsfirearms.com

