



**MILLENNIUM™**  
**M3**  
**COMBATLIGHT™**  
**125/225 Lumens**

With the purchase of this SureFire flashlight, you have invested in one of the world's best "illumination tools."

We believe it to be a prime example of our philosophy that design decisions should always be made in the interest of the product being the very best it can be.

Frequently, this means deciding to use a more costly process or a more expensive material than would normally be called for. We know that in order to produce the best, one must do it right.

We thank you for supporting this decision and electing to confirm our belief in "no compromise" in a product that, by its performance and reliability, may some day be called upon to save your life.

There is no other choice.

John Matthews  
President, SureFire

---

## **WELCOME TO THE SUREFIRE TEAM**

You have just become the owner of one of the most incredible pieces of lighting technology ever conceived. It is a masterpiece of engineering, a member of the SUREFIRE family which has gained the acceptance and respect of military and law enforcement professionals around the world.

- SUREFIRE lights provide overwhelming power, and they do this with a quality of beam that is unmatched in brilliance and performance.
- SUREFIRE's high pressure Xenon/Halogen lamps operate at the highest temperatures possible, producing extraordinary, brilliant, white light.
- Our reflectors are machined from solid billets of aircraft grade aluminum.
- Each SUREFIRE lamp assembly is permanently prefocused to within less than five thousandths of an inch to achieve the absolutely flawless SUREFIRE beam.
- The switch is ergonomically located for in-the-dark positive activation.
- Whether you need a small light that can be carried in your pocket or a multipurpose professional light, SUREFIRE offers you models that range in power from 15 lumens to 500 lumens.
- You can have confidence that your choice of a SUREFIRE light will always reward you with years of superb, unflinching performance.

---

## **MILLENNIUM M3 COMBATLIGHT**

Power and performance advances have made a quantum leap with the M3 CombatLight.

Supplied with Lamp Assemblies of 125 and 225 lumens, you have a light that pierces the night field of view beyond 100 yards. The intense beam improves your ability to prevail by safely rendering an attacking person temporarily blind. The flawless beam combines an intense prefocused spotlight center surrounded by a smooth, uniform wide floodlight, free of irregularities.

Special protection against lamp assembly failure due to impact is provided by SUREFIRE's exclusive shock isolation design.

The unique streamlined shape and lightweight, precision-engineered, cut-away flashlight body is specifically designed to be used with advanced shooting methods such as the Rogers/SUREFIRE shooting technique and the Harries technique.

As a member of the Millennium series of SUREFIRE lights, many of the components are interchangeable with the M500A and M100 WeaponLights should they be needed during field operations.

An unqualified choice for tactical operations, the M3 exceeds all expectations in application and light power.

## **M3 COMBATLIGHT**

---

There are two ways to activate the light from the M3. The Tail Cap switch of the Flashlight can be activated by rotating the Tail Cap in a clockwise direction for a constant "ON" setting or by pressing on the Push Button for temporary light.

### **To Turn Light "ON"**



Turn  
Tail Cap  
for  
"ON"

### **For Constant Light**

**ON** - Turn Tail Cap clockwise  
(viewed from the tail)

**OFF** - Turn Tail Cap counterclockwise

---

### **For Momentary Light**

**ON** - Press Push Button

**OFF** - Release Push Button



Push  
For  
"ON"

---

### **Switch Lockout Procedure**

1. From the constant "ON" position, back the M3 Tail Cap "OFF" until the light goes out and turn the Tail Cap one full turn counterclockwise from this position.
2. Push Button switch is now locked out.
3. Restore Push Button function, rotate the Tail Cap one full turn clockwise.

## **SPECIFICATIONS**

---

Power Output	MN10 - 125 Lumens MN11 - 225 Lumens
Run Time	MN10 - 60+ Minutes MN11 - 20 Minutes (Approx.)
Battery Type	Lithium SF123A
Number Required	Three (3)
Supplied	Yes
Length	7.25 inches
Weight	7.6 ounces
Diameter	Body - 1.00 inches Bezel - 1.62 inches
Lamp Assembly	MN10, MN11 - High Pressure Xenon & Halogen
Lens	Pyrex, Tempered
Switch	Tail Cap Type: Rotation/Pressure Activation w/ Lock-Out Disable
Body Material	Aircraft Grade Aluminum
Finish	External: Hard Anodized Mil-A-8625, Type III, Class 2 Internal: Chemfilm Mil-C-5541
Color	Grey
Water Resistant	O-Ring Sealed
Lanyard	Nylon w/Button Restraints

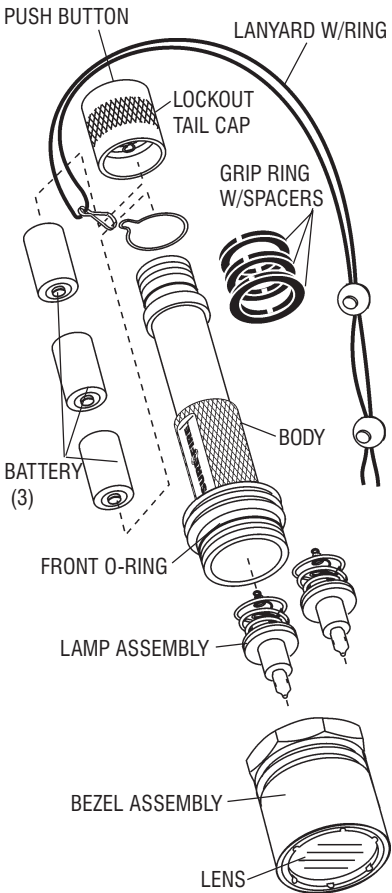
## **PARTS REPLACEMENT LIST**

---

<b>Component</b>	<b>Part No.</b>
Lithium Battery	SF123A
Bezel Assembly	13703-1
Flashlight Body	13443-1
Grip Ring Spacer	12446-1
Grip Ring	12447-1
125 lumen Lamp Assembly	MN10
225 lumen Lamp Assembly	MN11
Lanyard	12452-31
Lanyard Ring	12455-11
Rear O-Ring Seal (front)	19-01-040
Rear O-Ring Seal (end)	19-01-077
Front O-Ring Seal	19-01-057
Lock Out Tail Cap Assembly	12708-11

# M3 COMBATLIGHT

---



## **CHANGING THE LAMP**

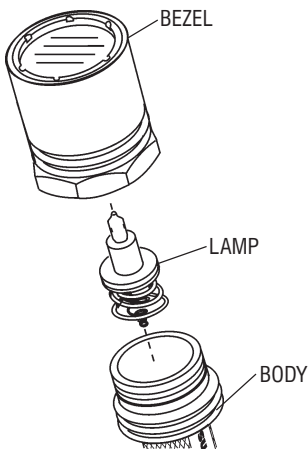
---

1. Remove the Bezel from the M3 Body by holding the Body and rotating the Bezel counterclockwise (as viewed from the front of the light) until it is free of the Body.

2. Remove the Lamp and replace with the desired Lamp.

**Avoid touching the inside of the Lamp envelope or Reflector as this will degrade the performance of your SureFire Light.**

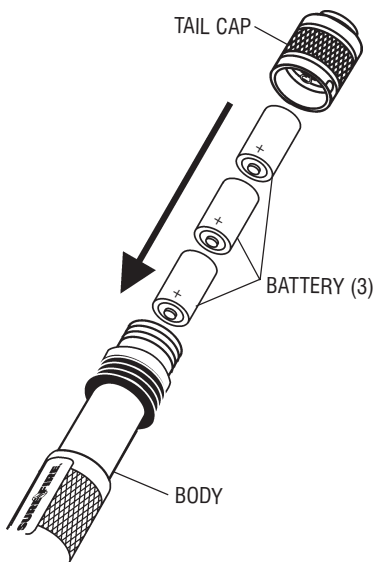
3. Install the Bezel back on to the Body.





## **INSTALLING THE BATTERY**

1. Remove the Tail Cap by unscrewing it until it is free of the Body.
2. Remove the Batteries from the Body and replace, observing proper Battery polarity.
3. Install the Tail Cap back on to the Body, turning it until the light comes on. Then back off 1/2 to 1 turn until the light turns off.
4. The M3 is now ready for use.



## **CUSTOMER SERVICE**

---

### REPAIRS AND REPLACEMENTS

To obtain repair or replacement contact Customer Service at 800-828-8809 (toll free) or 714-545-9444 and obtain a Return Authorization number (RA#). Then package the unit carefully and return (no COD's please) to:

SUREFIRE LLC  
Repairs Department, RA# \_\_\_\_  
17680 Newhope Street, Suite B  
Fountain Valley, CA 92708

SUREFIRE will pay any reasonable shipping costs to return the unit to you.

Protected by U.S. Patent Number(s)  
6,046,572 , 6,222,138

## **ACCESSORIES**

---

BeamFilters	FM15 Red
	FM16 Blue
	FM13 Infrared

---

Tip-Off Cover	FM17
---------------	------

---

Polymer Holster	V71
-----------------	-----

---

Tail Cap Lanyard Ring	Z26
-----------------------	-----

---

Lanyard, Black	Z27
----------------	-----

---

Tail Cap Lanyard Kit	Z33
----------------------	-----

---

Spares Carrier	SC2
----------------	-----

---

Hurricane™ Emergency Battery Pack Light (includes 12 each SF123A)	12B
---	-----

---

**Custom Engraving:**

Engraving of name, logo, slogan or other icons is available to personalize your SUREFIRE product.

Call Customer Service.