

---

# Model L5

L5 Digital LumaMax™ LED Flashlight

---

*Operator's Manual*



**Digitally-Controlled  
Five-Watt LED Flashlight**

---

Revision A 7-1-2004

**SUREFIRE®**

# L5 LumaMax LED

---

## Introduction

The L5 LumaMax™ is fitted with a five-watt, white LED module. Powered by two 3-volt lithium batteries, the L5 features digital current regulation circuitry that matches the LED's current requirements to the batteries' output to achieve a consistent level of light output for the useable life of the batteries. The L5 LumaMax features a click-on/click-off tailcap pushbutton switch.

## Light Activation

Partially depress the tailcap pushbutton switch for momentary activation. **Note:** If light fails to function, the tailcap may be in the lock-out position; tighten the tailcap by rotating clockwise. For constant light, fully depress the tailcap pushbutton switch to the “click-on” position.

**CAUTION:** The L5 LumaMax is a high-output lighting device and should not be left on unattended. External surface temperature will rise during prolonged operation; this is a normal operating phenomenon.

## Lock-out Tailcap

The lock-out position disables the click switch and is suggested to avoid accidental light activation during storage. From the momentary-on position, rotate the tailcap approximately one and one half turns counter-clockwise to lock the light in the off position.

# Operation

---

## Battery Replacement

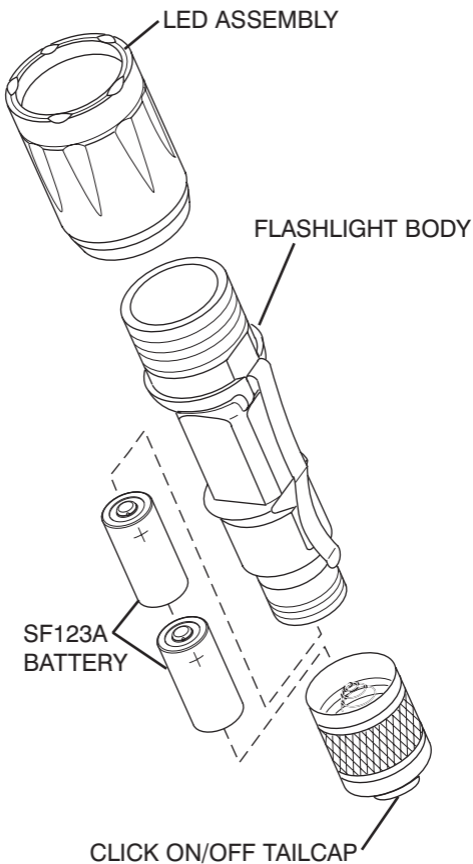
Unscrew the bezel and insert new batteries with positive ends towards LED assembly. Replace bezel and hand tighten. Depress tailcap pushbutton switch to test. **Note:** If batteries are inserted with positive ends towards the tailcap, the unit will not light. Damage will not occur. Reinsert batteries with positive ends towards the LED assembly.

**WARNING:** Lithium batteries can explode or cause burns if disassembled, shorted, recharged, exposed to water, fire, or high temperatures. Do not place loose batteries in a pocket, purse or other container containing metal objects, mix with used or other battery types, or store with hazardous or combustible materials. Store in cool, dry, ventilated area. Follow applicable laws and regulations for disposal.

## Maintenance

Clean and lubricate threads with a clean cloth and apply thin coat of silicon-based lubricant to rubber O-rings. **Note:** Do not use petroleum-based lubrication on SureFire O-rings. After prolonged exposure to moisture, the bezel and batteries should be removed, inspected, and dried if necessary.

This unit has  approval



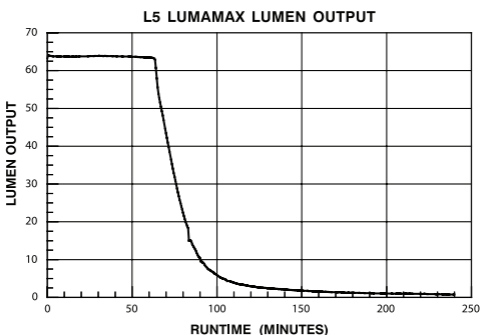
# L5 LumaMax LED

---

## Output & Runtime

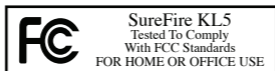
Accurately specifying light output (lumens) and runtime is more complicated for LED flashlights than for tungsten lamp flashlights due to slight variation in LEDs and LED output characteristics.

The light output of the L5 exceeds that of comparable SureFire tungsten lamp flashlights (6P, C2, E2e, etc.), and runtime is longer than the one hour specified for these tungsten lamp flashlights.



The curve on the Beam Lumen Output graph indicates a drop in output after 65 minutes, however usable light is available for more than 15 hours.

All beam lumen output curves were measured using an integrating sphere with a photopic detector.



# L5 LumaMax LED

---

## Warranty Claims

For repair or replacement contact Customer Service at **800-828-8809** (toll free) or **714-545-9444** and obtain a Return Merchandise Authorization number (RMA#). Then package the unit carefully and return (no COD's please) to:

SureFire  
Repairs Department, RA# \_\_\_\_\_  
17680 Newhope Street, Suite B  
Fountain Valley, CA 92708-6122

*SureFire will pay any reasonable shipping costs to return the unit to you.*

## Warranty

SureFire® warrants its products to be free from defects in materials and workmanship. SureFire will repair or replace, at its option without charge, any product or part which is found to be defective under normal use and service. Such repair or replacement shall be the purchaser's sole and exclusive remedy under this warranty. This warranty does not include normal maintenance and services and does not apply to any products or parts that have been subjected to modification, misuse, negligence, accident, improper maintenance or repair by anyone other than SureFire.

## Warranty Limitation

*There is no other express warranty. SureFire® hereby disclaims any and all implied warranties, including but not limited to fitness for a particular purpose. SureFire shall not be liable for incidental, consequential, or special damages arising out of, or in connection with, product use or performance.*

UM\_L5  
71-01-625

