

CHIAPPA
firearms

1911-22

INSTRUCTION MANUAL



Official Sponsor of



USA & Italy



ATTENTION: BEFORE REMOVING THIS FIREARM FROM ITS PACKAGE READ & UNDERSTAND WARNINGS, INSTRUCTIONS AND PRECAUTIONS IN THIS OWNER'S MANUAL

A Note on Historical Design Firearms



Armi Sport / Chiappa Firearms proudly manufacture finely crafted replica firearms reproducing famous historical weapons. The 1911-22 family of firearms is manufactured using leading edge techniques and high quality modern materials. The 1911-22 series is patterned from one of the most recognized handguns in the world, the 1911 Semi-Automatic designed by John Browning. The 1911-22 however, utilizes a unique action unlike that of the Browning design while providing similar characteristics and feel.

It is vital that the user be familiar with his firearm and possible safety risks that may be present in the design. Most significantly, the user should realize that the designs of safeties - or even the presence of adequate safeties - vary significantly on historical designs and do not offer the protection against accidental discharge that modern firearm safeties achieve.

Before firing this pistol for the first time, Field Strip and clean the firearm following proper procedures. For proper Break-in of the firearm shoot 200/300 rounds of Quality Factory Ball Ammunition, cleaning and lubricating the gun every 100-150 rounds.

INDEX

<i>Warnings</i>	4
<i>Safety</i>	5-8
<i>Identifying Markings</i>	7
<i>Instructions for Use</i>	9-10
<i>Loading the 1911-22</i>	10-11
<i>Unloading the 1911-22</i>	11
<i>Break In period</i>	12
<i>Shooting the 1911-22</i>	12
<i>Sight Adjustment</i>	13
<i>Disassembly of the 1911-22</i>	14
<i>Assembly of the 1911-22</i>	15
<i>Cleaning</i>	16
<i>Lubrication</i>	16
<i>Extraordinary Care</i>	17
<i>Exploded views and components</i>	18
<i>Trouble Shooting Tips – FAQ</i>	19-20
<i>ArmiSport / Chiappa Firearms Warranty</i>	21-22
<i>Registration</i>	23

WARNINGS

Armi Sport/ Chiappa Firearms is not responsible for damage to objects caused by misuse of the gun or for injuries to persons or animals, or in case of death, caused voluntarily or involuntarily by the gun user.

Armi Sport/ Chiappa Firearms is not responsible for injuries caused by poor maintenance, misuse of the gun, unauthorized or improper modifications.

Armi Sport/ Chiappa Firearms declines responsibility for the indirect consequences of any injuries and / or death of persons or animals, damage to objects caused by use of the gun or by primer explosion, by bullet's ricochet, or unsafe loading practices and / or procedure.

The gun you own is a replica of the 1911 Semi Automatic designed by John Browning. Changes in the design and function have been made to make this firearm a more reliable and affordable pistol in rimfire calibers

Read the entire manual and learn the proper use of the gun without live ammunition. It is important that you understand the proper use of this product. The life of the people close to you may depend on your safety.

If the manual is not clear, please contact the dealer where you bought the gun or call the distributor or the manufacturer by using the contact information provided within this manual.

ANY LEGAL DISPUTE WILL BE UNDER THE JURISDICTION OF A COURT IN THE STATE OF OHIO

SAFETY RULES

1. *Read the instructions carefully before use. Reading the manual and careful examination of the gun are fundamental to avoid any kind of problem.*
2. *Be aware that you are handling a firearm; therefore your knowledge and behavior may affect your life and those of the people close to you.*
3. *Guns and ammunitions must be kept in separate places.*
4. **ALWAYS** *keep guns and ammunitions out of reach of children.*
5. *Store the gun in a clean dry and airy place after use to avoid rust in mechanical parts that may cause serious problems in functioning after a period of inactivity.*
6. *The gun must **ALWAYS** be stored unloaded, ALWAYS check that the chamber is empty.*
7. *Keep away from open flame or heating sources.*
8. *Never leave a loaded gun unattended.*
9. *Never leave the weapon loaded and with a closed breech block, it could fall and cause injury and death. Always point the gun in a safe direction, and handle it as though it were loaded. This is especially important when loading and unloading the gun, and when handing it to someone else. Never take someone's word that it is unloaded. Always make sure the gun is unloaded before laying it down or handing it to someone else.*
10. *After use, clean and lubricate the inside of the barrel with appropriate oil. Avoid grease or oil build up that can cause excessive pressure and result in serious personal injuries. Before using the gun again, inspect the barrel and chamber to make certain that there are no obstructions in the bore. Remove any oil residue with rod and dry patch before shooting.*
11. *Accumulation of rust in the barrel can cause excessive pressures resulting in serious injury and may cause the explosion of the barrel. A rusted, pitted or eroded barrel should be replaced.*
12. *Wash hands thoroughly after shooting and handling firearms to remove any unwanted residues.*
13. *Pay great attention during transportation and use. Mechanical safety devices can fail. Developing intelligent, good safety habits is the best way to prevent accidents.*
14. *This firearm is equipped with a manual thumb safety, a slide safety as well as the hammer half cock. REMEMBER: No mechanical safety device is infallible.*
15. **ALWAYS** *keep the gun unloaded when transporting it from home to the shooting areas. Carefully check that cartridge chamber is empty.*

16. *When you walk around with the gun in a shooting area, ALWAYS keep the muzzle pointed in a safe direction.*
17. *NEVER run with a loaded gun, don't cross any obstacle (fences or water courses, etc.) or walk where there is any possibility of slipping or falling without having your firearm unloaded and in safety position.*
18. *Do not smoke while handling, loading or shooting any ammunition, especially black powder. Keep black powder in a closed container at all times, reclosing the container after each and every use.*
19. *Never drink alcoholic beverages or take any drugs before or during shooting, as this not only constitutes criminal disregard for your safety and that of others, but will seriously impair your judgment and vision. Never use a gun while you are taking medication unless you have checked with your doctor to ensure your fitness to handle the gun safely.*
20. *Never rest your finger on the trigger until the very moment you wish to shoot. Always keep the safety on until you are ready to safely shoot at an intended target (see safety features).
Note: Safety devices on guns are extras and are not a substitute for your proper and safe handling practices.*
21. *Always wear and encourage others near you to wear proper ear protection when shooting, especially on a range since the noise from your gun, and other guns close to you, could result in permanent hearing loss.*
22. *Always wear protective shooting glasses to protect your eyes from injury by gun powder, gas, lubricant, dirt or metallic particles, carbon residue, sparks or other debris.*
23. *Use exclusively factory loaded ammunition of the caliber specified on the firearm barrel. Use of different calibers may cause serious personal injuries to you and to people close to you.*
24. *Before shooting ALWAYS check to ensure that the barrel is free of obstructions.*
25. *When selecting a place to shoot, always be absolutely sure of your target and the area behind it before you touch the trigger, making sure there is an adequate backstop which will stop and contain bullets. A bullet can travel through or past your target with a range up to 1 1/2 miles. If you have any doubt, do not shoot.*
26. *Keep all bystanders behind you, standing beside a shooter is not a safe position. Make sure all other shooters and bystanders are well away from the ejection port.*
27. *Never shoot against a solid surface or in a pool of water, the projectiles could ricochet and shoot toward any direction.*
28. *Never force a jammed action, this act could cause explosion of the round and consequent injury.*

29. *In case of misfire, manually extract the cartridge from the chamber. If firearm fails to fire when trigger is pulled, as a result of slow primer ignition (hangfire), keep muzzle pointed downrange for a minimum of 30 seconds. If the round does not fire, remove the magazine, clear the weapon and examine the ejected, unfired cartridge. If the indent from the firing pin is off center, light or absent, take the pistol to a competent gunsmith. If the indent appears normal compared to other rounds, assume a faulty round, separate from other cartridges, reload and continue shooting.*
30. *Do not attempt to re-use unexploded ammunitions.*
31. *NEVER modify any parts of your gun. Any alteration may cause serious personal injury and voids the warranty.*
32. *Only a qualified gunsmith may service the gun for repair or serious maintenance.*

Armi Sport/ Chiappa Firearms declines any responsibility for misuse of the firearm.

In case of alteration of the firearm, Armi Sport/ Chiappa Firearms declines any civil and penal responsibility and will not refund any damage.

The user is responsible for injuries or damages caused to him or to other persons.

COMPLETE KNOWLEDGE OF YOUR FIREARM CAN MAKE THE DIFFERENCE.

QUALITY INSPECTION: Every firearm is thoroughly inspected for function and cosmetic blemish prior to shipment

IDENTIFYING MARKINGS:

Every gun we produce has a serial number that is marked on the receiver. Close to the serial number you will also find the manufacturers information with the model name and caliber marked either on the frame or the slide as required by federal law.

These markings must not be removed from the firearm for any reason.

SAFETY FEATURES

This firearm is equipped with several safety features which, if properly employed, can minimize the danger of accidental discharge.

NOTE: Never rely on mechanical safeties to overcome improper maintenance or unsafe handling practices.

TRIGGER GUARD

The trigger guard is a loop of metal that surrounds the trigger, protecting it from damage or accidental discharge.

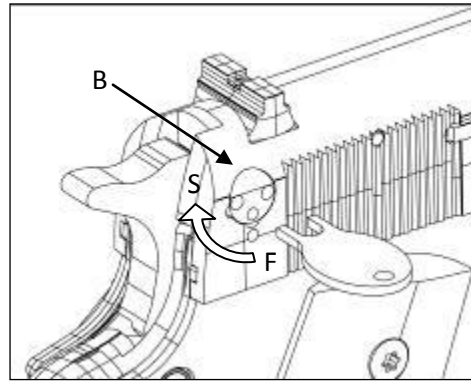
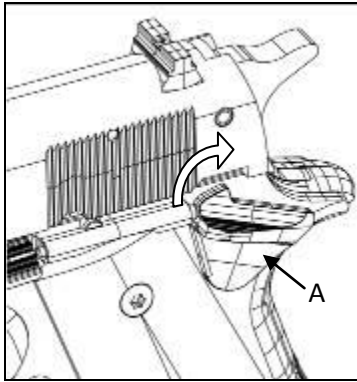
NEVER ASSUME THE PISTOL IS UNLOADED. You can never be sure a pistol is unloaded unless you check that the charger is not in place and the cartridge chamber is completely empty.

AUTOMATIC TRIGGER SAFETY

The trigger safety blocks the trigger until the slide is completely closed on the cam breech. The safety is automatically activated.

TRIGGER AND SLIDE LEFT MANUAL SAFETY

The safety lever (A) must be manually lifted until the angle of the lever is pushed inside the corresponding socket in the slide. This will block both the trigger and the slide.



MANUAL KEYED SAFETY

By turning the manual safety 90 degrees (B) with the special key, the hammer is prevented from hitting the firing pin. The firearm should always be stored and transported with the manual safety in the "On" position, and utilizing the special key to turn the safety off when firing.

FIRING PIN

The firing pin is held in a rearward position by spring tension. Being shorter than the housing, it cannot protrude through the face of the slide until the spring tension and inertia of the pin itself is overcome by the force of the falling hammer.

INSTRUCTIONS FOR USE

Ammunition

ATTENTION: For best performance of the 1911-22 we recommend the use of quality .22 LR ammunition with a minimum velocity of 325 m/s (1066 f/s)

Please allow 100-150 rounds for initial “Break-In” period

NOTICE

WE SPECIFICALLY DISCLAIM RESPONSIBILITY FOR ANY DAMAGE OR INJURY WHATSOEVER OCCURRING IN CONNECTION WITH, OR AS THE RESULT OF, THE USE OF FAULTY, OR NONSTANDARD, OR “REMANUFACTURED” OR HANDLOADED (RELOADED) AMMUNITION, OR OF CARTRIDGES OTHER THAN THOSE FOR WHICH THE FIREARM WAS ORIGINALLY CHAMBERED.

- Death, serious injury, and damage can result from the use of wrong ammunition; bore obstructions, powder overloads, or incorrect cartridge components.
- Use only ammunition specifically recommended for your firearm (Proper Ammunition specified on barrel and cylinder).
- Always use cartridges of the same caliber as that indicated on the barrel.
- Use only high quality, original factory manufactured ammunition whose pressure cannot be higher than the one stated by S.A.A.M.I. or C.I.P.
- For best results, we recommend the use of quality high velocity ammunition.
- Your gun has been designed for ammunition of a specific caliber – do not alter the barrel, chamber, caliber for which your gun was designed.
- Be sure you never mix ammunition.
- Firearms may be severely damaged, and serious injury to the shooter or others may result from any condition causing excessive pressure inside the chamber or barrel during firing. Excessive pressure can be caused by obstruction in the barrel, propellant powder overloads, or by the use of incorrect or defectively assembled cartridges. In addition, the use of a dirty, corroded or damaged cartridge can lead to a burst cartridge case and consequent damage to the firearm and personal injury from the sudden escape of high-pressure propellant gas within the firearm's mechanism.
- Immediately stop shooting and check the barrel for a possible obstruction whenever:
 - You have difficulty in, or feel unusual resistance in chambering a cartridge
 - A cartridge misfires (does not go off)
 - The mechanism fails to extract a fired cartridge case
 - Unburned grains of propellant powder are discovered spilled in the mechanism
 - A shot sounds weak or abnormal

- In such cases it is possible that a bullet is lodged part way down the barrel. Firing a subsequent bullet into the obstructed barrel can damage the firearm and cause serious injury to the shooter or bystanders.
- Bullets can become lodged in the barrel:
 - If the cartridge has been improperly loaded without propellant powder, or if the powder fails to ignite. (Ignition of the cartridge primer alone will push the bullet out of the cartridge case, but usually does not generate sufficient energy to expel the bullet completely from the barrel)
 - If the bullet is not properly seated tightly in the cartridge case. When such a cartridge is extracted from the chamber without being fired, the bullet may be left behind in the bore at the point where the rifling begins. Subsequent chambering of another cartridge may push the first bullet further into the bore.
- If there is any reason to suspect that a bullet is obstructing the barrel, immediately unload the firearm and look through the bore. It is not sufficient to merely look in the chamber. A bullet may be lodged some distance down the barrel where it cannot easily be seen. If a bullet is in the bore, do not attempt to shoot it out by using another cartridge, or by blowing it out with a blank or one from which the bullet has been removed. Such techniques can generate excessive pressure, damage the firearm and cause serious personal injury. If the bullet can be easily removed with a wood or brass dowel, (using hand pressure only, never "hammer" a bullet lodged in the bore) clean any unburned powder grains from the bore, chamber and mechanism before resuming shooting. If the bullet cannot be dislodged by tapping it with a cleaning rod, take the firearm to a gunsmith.
- Dirt, corrosion, or other foreign matter on a cartridge can impede complete chambering and may cause the cartridge case to burst upon firing. The same is true of cartridges which are damaged or deformed.
- Don't oil cartridges, and be sure to wipe the chamber clean of any oil preservative before commencing to shoot. Oil interferes with the friction between cartridge case and chamber wall that is necessary for safe functioning, and subjects the firearm to stress similar to that imposed by excessive pressure.
- Use lubricants liberally on the moving parts of your firearm. Avoid excessive spraying of any aerosol gun care product, especially where it may get on ammunition. All lubricants, and aerosol spray lubricants in particular, can penetrate cartridge primers and cause misfires. Some highly penetrative lubricants can also migrate inside cartridge cases and cause deterioration of the propellant powder; on firing, the powder may not ignite. If only the primer ignites, there is a danger that the bullet may become lodged in the barrel.

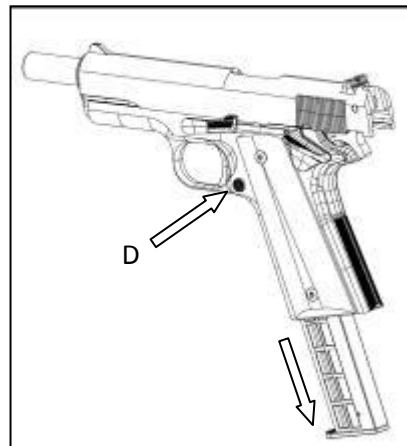
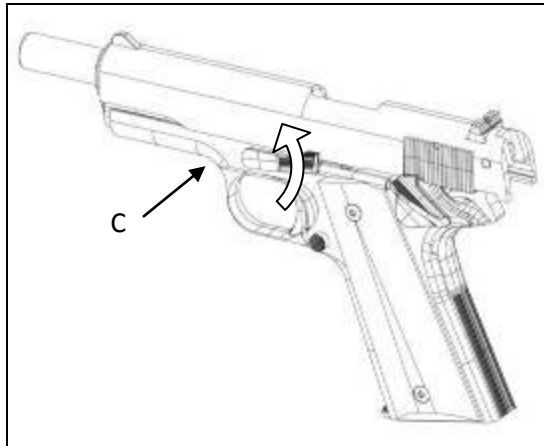
The use of improper ammunition voids the warranty.

Loading

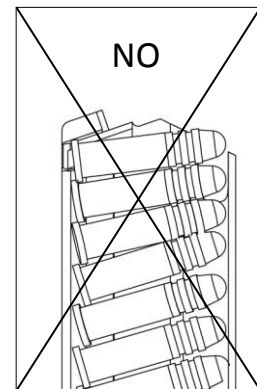
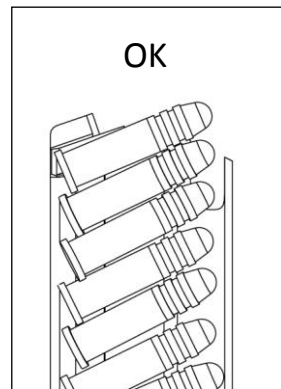
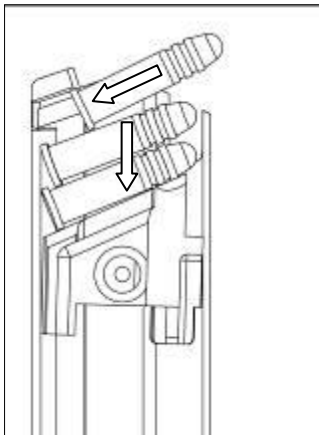
Keep muzzle pointed in safe direction and follow all safety procedures at all times. Practice these steps with an unloaded pistol or dummy ammo until you are completely familiar and comfortable with the procedures. Use live ammo only when you are prepared to shoot. Always use clean, dry, high quality ammunition (of the proper caliber) that meets industry performance standards.

1. With an empty magazine in the pistol, pull back the slide until the slide stop engages the slide stop notch (C) and the slide locks back.

- To release the empty magazine from the frame, hold hand under magazine and push the magazine catch (D) which is located on the left side of the frame behind the trigger. This will cause the magazine to fall free of the magazine well.



- To load the magazine, place the round at the top (open end), push down and back making sure that the back of the cartridge is facing the rear of the magazine. Repeat this procedure until magazine is fully loaded. Tap the back side of the magazine against the palm of your hand to insure the proper alignment of the cartridges.



- Place the magazine in the magazine well in the frame, with the rounds facing forward, and push up until magazine is fully seated. A click will be heard when this is done properly as the magazine catch engages.
- To chamber a round, point the pistol in a safe direction. Without touching the trigger, push downward on the slide stop (no. 41) with your left-hand thumb or left index finger. Allow the slide to go forward unhindered. Do not "ride" the slide down to the forward position. Keeping your hand on the slide may cause a misfeed, or stop the slide from fully closing.
- When cartridges fail to feed, check the following:
 - Substandard ammunition.
 - Cartridge overall length too short or too long.
 - Bullet nose too blunt.
 - Damaged Magazine
 - Ensure that the firearm is clean with no buildup of carbon or dirt.

Unloading:

1. To unload, first remove magazine as in step 1 and 2 of previous section.
2. If all of the rounds from the magazine have been fired, slide will automatically lock in the open position. If not, repeat step 4. If magazine is not removed prior to this procedure, any rounds left in it will be chambered, which could lead to an unintentional discharge. The pistol will fire with a round chambered and the magazine removed.
3. If slide has not automatically locked in the rearward position as a result of firing the last round from the magazine, do it manually and visually inspect the chamber to ensure that it is clear.
4. Release slide forward onto the empty chamber by pulling slide fully rearward and releasing or by manually rotating the slide stop downward past the slide stop notch. Ease the slide closed.
5. Pull the trigger easing the hammer to fall forward on the firing pin.
6. To remove any remaining rounds from the magazine, push the cartridges forward until they clear the magazine one at a time.

Break-in Period

Before firing the pistol for the first time, Field Strip and clean the firearm following proper procedures. For proper Break-in of the firearm shoot 200/300 rounds of Quality Factory Ball Ammunition, cleaning and lubricating the gun every 100-150 rounds.

Shooting / Firing

Always wear eye and hearing protection when shooting.

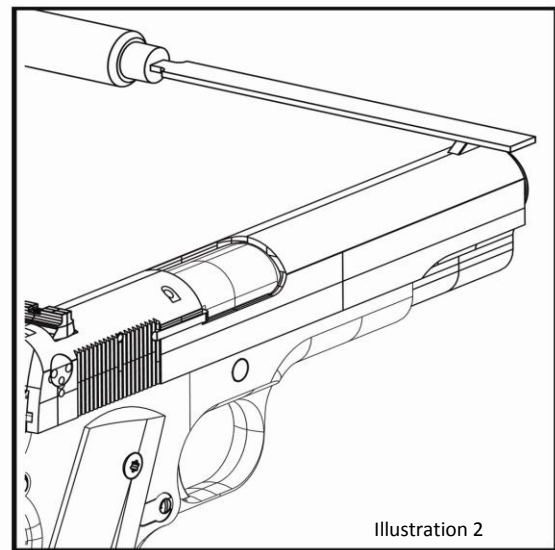
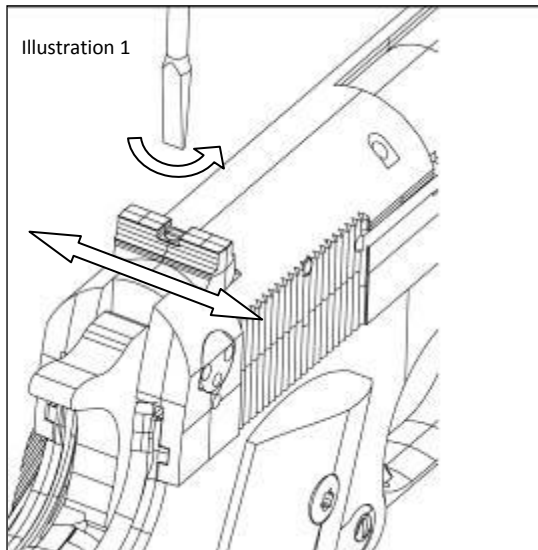
1. Point muzzle in a safe direction.
2. Load pistol as previously directed.
3. Grip the frame firmly.
4. With your finger well clear of the trigger, lower the safety lever.
5. Place index finger on trigger, take aim and gently squeeze rearward until hammer is released and falls forward striking the firing pin. Be prepared for loud noise and recoil.

Note: This is a semi-automatic pistol and will cock the hammer each time the slide moves to the rear, eject the empty cartridge and chamber a new round. It will continue to fire with each subsequent pull of the trigger until all rounds in the magazine have been fired.

6. Continue procedure until magazine is empty and slide is locked open.
7. If all rounds have not been fired and you wish to stop shooting, immediately engage slide stop and follow procedures for unloading previously described.

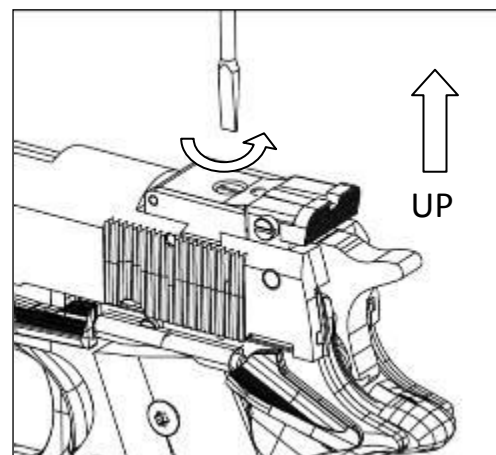
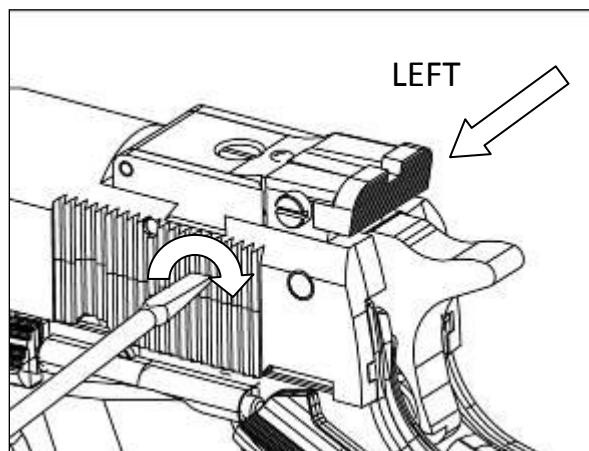
Sight Adjustment

The standard rear sight is adjustable for windage. To adjust your point of impact to the “RIGHT”, unscrew the rear sight screw and move the rear sight to the right; to adjust your point of impact to the “LEFT”, move the rear sight to the left. (Illustration 1) The front sight has extra height and can be adjusted only once for elevation by using a file and carefully filing the top of the front blade to meet the individual shooters requirements. (Illustration 2)



Sight Adjustment for “TARGET” version

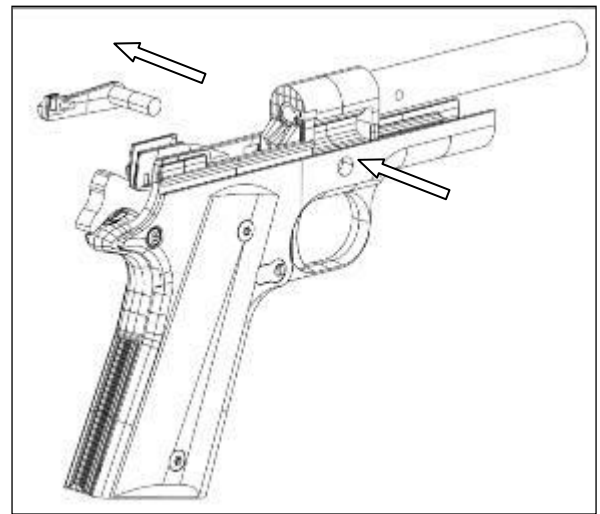
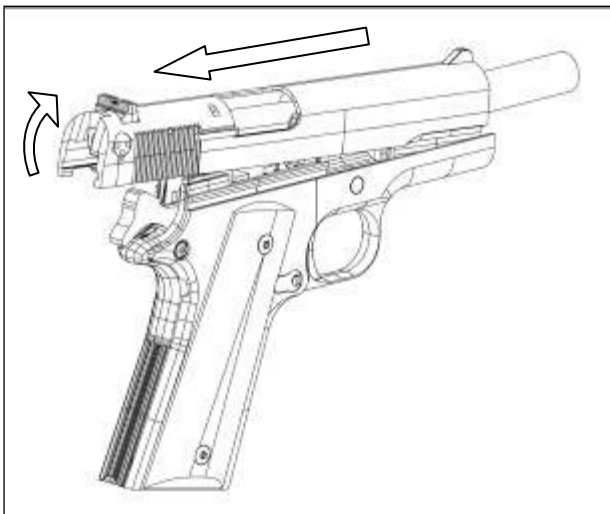
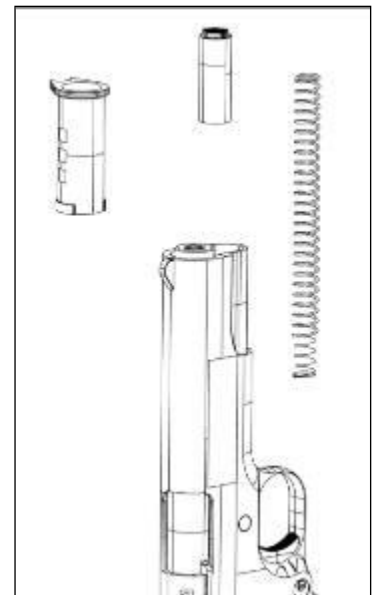
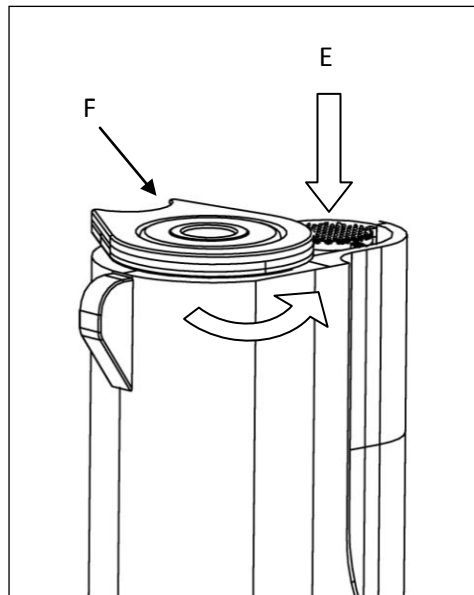
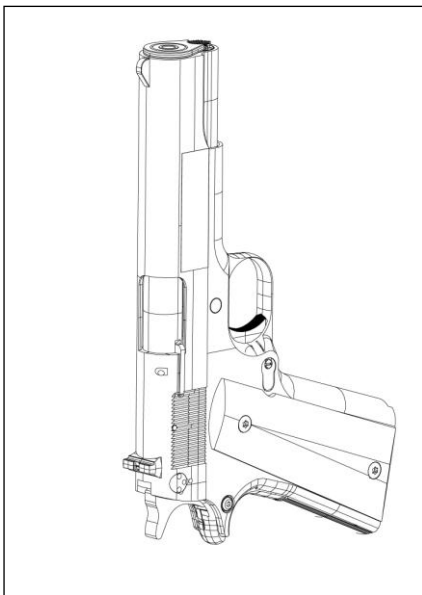
The TARGET MODEL rear sight is adjustable for windage & elevation. To adjust your point of impact to the “RIGHT”, unscrew the windage sight screw and move the rear sight to the right; to adjust your point of impact to the “LEFT”, tighten the windage sight screw to move the sight to the left. To adjust your point of impact up, unscrew the elevation sight screw and move the rear sight up; to adjust your point of impact to go down, tighten the elevation sight screw to go down.

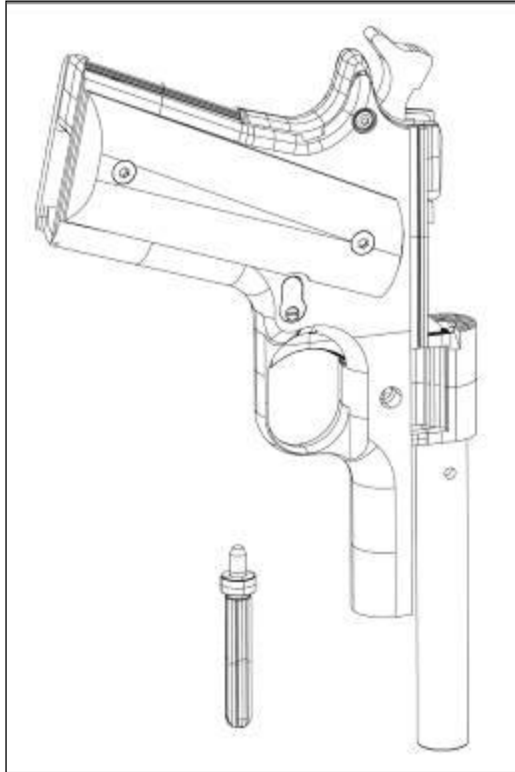


Disassembly (FIELD STRIPPING)

This product should be cleaned after every use and when exposed to dirt, sand, etc. When not in use, store in a clean dry location.

1. With the pistol unloaded, the magazine removed and the hammer down, lean the pistol vertically on a surface, with the barrel pointing upwards. Press on the nose locking (E). This allows the barrel bushing (F) to move freely. Turn the bushing by 90° and remove it. Be careful, the recoil spring and plug can fly out with force.
2. Ease out recoil spring and plug.
3. Cock the hammer and push the slide rearward until it is free, then lift it on the back and slide it off pushing it forward.
4. Push inward on the end of the slide stop shaft on the right side of the pistol and remove the slide stop from the left side.
5. Slide the slide assembly forward off the frame.
6. Turn the pistol with the barrel facing downward to remove the recoil spring guide





Assembly

1. With the hammer in the full cock position, slide the slide assembly over the front of the barrel, push it rearward completely and push down its rear portion, pressing the hammer while moving the slide forward into place.
2. Pull the trigger, and allow the hammer to rest on the back of the slide, which will block the movement of the slide. **DO NOT BLANK FIRE.**
3. Put the slide stop in place on the left side.
4. Place the recoil spring guide inside the slide letting it fall inside the slide facing upwards. Make sure the recoil spring guide is positioned correctly.
5. Place the spring on the recoil spring guide.
6. Place the nose locking onto the spring and push it inside the slide with sufficient pressure to let the barrel bushing to slide over it. Turn the bushing by 90° - notice: the nose locking cap must have the central pin facing down to allow for the rotation of the bushing.
7. Check that the gun is working correctly by cycling the slide a few times and checking (with the empty magazine in place) to insure that the slide stop lever is working correctly.

NOTE: Never Dry Fire a 1911-22 pistol, this can damage the chamber face and or firing pin.

Cleaning

Attention: Careful and detailed cleaning of this firearm is essential to guarantee its safety and proper function.

- Every time you use your gun it is advised to clean it in order to remove all corroding agents (humidity, powder or lead residues etc.) which can in time alter a few parts.
- In order to perform a standard cleaning, it is sufficient to utilize a good solvent, cleaning oil, and a little brush.
- For a deeper cleaning, please contact your local gunsmith
- Always run the cleaning rods from the chamber end of the firearm.

1. Disassemble pistol as described in previous section.
2. Run a wet patch through the bore. Let soak a few minutes. (Always read the manufacturers' directions of the bore cleaner you are using.)
3. Run a dry patch through to remove loose crud/deposits.
4. Run a wet bore brush through the chamber end of the barrel a few times.
5. Run a dry patch to remove the dirt.
6. Repeat steps 4 and 5 a few times until the patch comes out clean.
7. Lightly oil the barrel. NOTE: Run a dry patch through the barrel before firing to remove oil.
8. Wipe off all dirt on all bearing surfaces on slide and frame.
9. Clean breech face and all parts (an old toothbrush or similar nylon brush works well).
10. Follow lubrication directions before reassembling.

Lubrication

Use a good quality oil (grease is not recommended). If oil contains Teflon be sure to shake well before using as the Teflon settles when left overnight.

Lubricate the following internal parts of the pistol:

- a. Slide and Frame rails (do not over oil)
- b. Trigger safety, on top of frame - Small drop.
- c. Barrel Hood - two drops, spread on hood.
- d. Barrel Locking lugs inside Slide and on Barrel - one drop on each lug.
- e. Barrel Link - one drop behind link.
- f. Slide Stop pin - one drop, spread with finger.
- g. Outside of Barrel - Oil. Do not over oil, spread with fingertip.
- h. Cock Hammer - one drop in between the hammer and frame.

Assemble gun. Operate the Slide 5-6 times, dry fire, wipe off excess oil from gun.

Make sure, if you have stored the gun with oil in the barrel and chamber, that you run a dry patch through the barrel to clear it of the oil before you fire the gun.

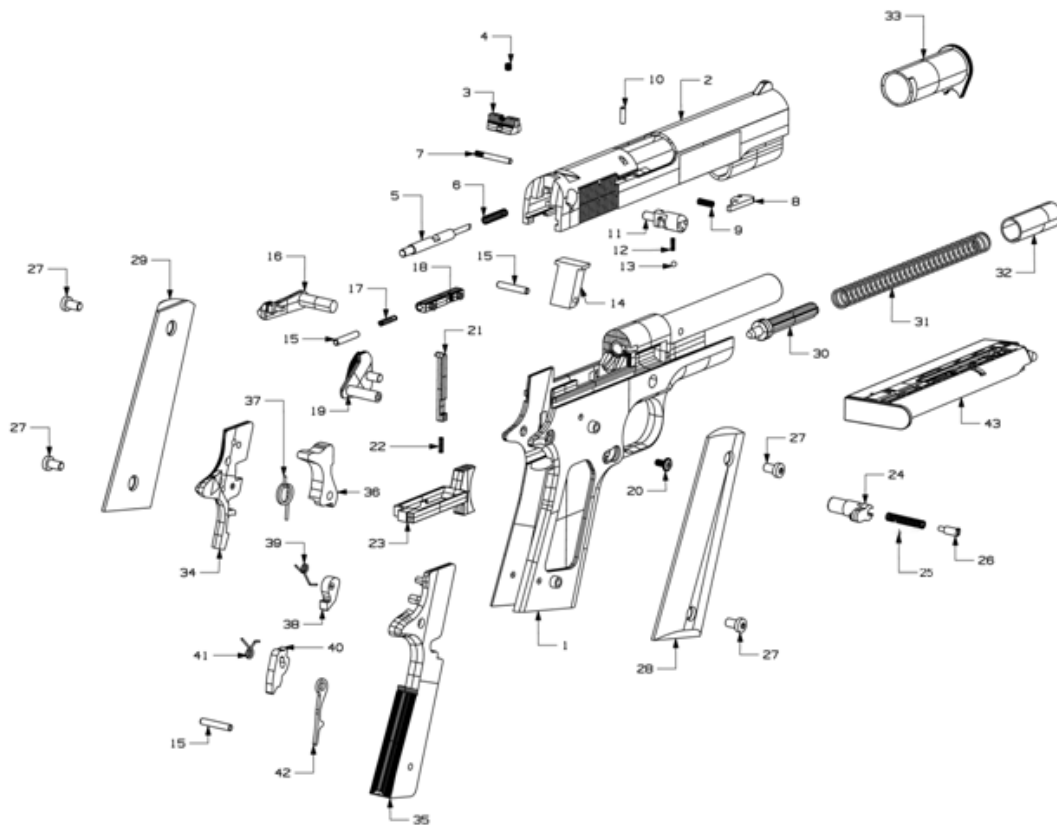
Reassemble as previously described. The key is moderation. Not enough oil and your gun may not function properly and lead to undue wear. Too much oil and you risk attracting damaging dirt and debris to the bearing surfaces causing undue wear and potential functioning problems. All metal parts even Stainless Steel should be lightly lubricated.

For long term storage or if you live in a particularly damp or salty area, a good quality rust preventative should be used.

Ordinary and extraordinary maintenance

- Before conducting any sort of maintenance, make sure the firearm is unloaded.
- By “ordinary maintenance” we refer to measures the user should take to keep the gun in good working conditions.
- An “Extraordinary maintenance” implies the replacement of broken parts and therefore disassembling the gun. In this case only authorized personnel or a qualified gunsmith should handle the task.
 - Also a long period of heavy use or inactivity requires an extraordinary maintenance; your gun should be taken to a qualified gunsmith to have the action disassembled for professional cleaning and lubrication.
- Your gunsmith will advise the best lubricant for the good maintenance of your revolver.
- Do not leave oil residues when cleaning and lubricating your firearm.
- Make sure that the mechanism of the weapon is easy; if it starts to stiffen, or if corrosion is starting on some essential parts, you should bring your gun to competent, professional personnel.
 - Do not use pure silicon or lanolin.
 - In the following pages you will find exploded views with a list of all parts
 - When ordering parts, it’s important to specify date of purchase, serial number, model, caliber and item reference of the part/s needed.
 - If the gun has a problem that you cannot fix, DO NOT FIRE it but send it to an authorized center for a check-up. If you try to fix it personally, you may put in serious danger yourself and the people near you in serious danger.
 - Always pay great attention and handle the gun very carefully, in order to avoid terrible accidents which may change your life and that of others.

EXPLODED VIEW AND PARTS LIST



N°	COD.	Description	N°	COD.	Description
1	700.125	Receiver 1911-22	22	720.044	Slide Safety Spring
2	710.279	Slide 1911-22	23	740.304	Trigger 1911-22
3	740.306	Rear Sight 1911-22	24	750.100	Magazine Thumb Release 1911-22
4	104.016	Rear Sight Screw M3x5	25	720.106	Magazine Release Spring 3.4X21X0.5
5	730.798	Firing Pin 1911-22	26	730.801	Magazine Release Screw 1911-22
6	720.105	Firing Pin Spring 3.8X16X0.3	27	110.007	Grip Screw M4x7 TORX
7	730.825	Firing Pin Retaining Pin 1911-22	28	780.089	Right Grip 1911-22 CF
8	760.122	Extractor 1911-22	29	780.088	Left Grip 1911-22 CF
9	720.001	Extractor Spring	30	740.297	Recoil Spring Guide 1911-22
10	130.038	Extractor Pin	31	720.002	Recoil Spring 9,8x118x0,85
11	730.799	Key Safety 1911-22	32	740.298	Recoil Spring Plunger 1911-22
12	720.003	Key Safety Spring 2x6x0.4	33	740.296	Barrel Bushing 1911-22
13	130.052	Key Safety Detent Ball d.2,5	34	740.303	Hammer Group Cover 1911-22
14	740.293	Magazine Block 1911-22	35	740.302	Back Strap1911-22
15	130.006	Magazine Block Pin / Plunger Pin	36	740.294	Hammer 1911-22
16	740.299	Slide Stop Lever 1911-22	37	721.026	Hammer Spring 1911-22
17	720.056	Thumb Safety Plunger Spring	38	740.300	Sear Disconnect 1911-22
18	740.305	Thumb Safety Plunger Housing	39	721.027	Sear Disconnect Spring
19	740.292	Thumb Safety 1911-22	40	740.301	Sear 1911-22
20	100.003	Thumb Safety Screw	41	721.028	Sear Spring
21	740.307	Slide Safety Transfer 1911-22	42	760.125	Safety Transfer Bar 1911-22
			43	470.037	Magazine Assembly 1911-22

TROUBLESHOOTING TIPS

Should you have any problems with the 1911-22, please refer to the following troubleshooting tips for possible solutions.

PROBLEM	CAUSE	SOLUTION
Last Round Slide Stop Failure	Slide travel not sufficient	Use ammunition slightly faster, remember the gun is tuned to shoot ammo 325 m/sec
	Too high velocity in recoil	Use ammunition slightly less powerful, too much velocity may compromise the correct functioning of the slide stop
	Dirt / Debris in Action	If you have been shooting for a while or using ammunition with excessive fouling, it may be necessary to clean the firearm.
The slide doesn't cycle correctly	Not enough pressure to cycle	Use Higher Velocity Ammo, remember the gun is tuned to shoot ammo 1050 fps (325 m/sec) or greater.
	Dirt / Debris in Action	Disassemble and clean carefully the gun
	Ammunition too short for chamber.	Check the ammunition / Consider different types of ammunition
Fail to Fire (DNF)	Slide not completely closed	Carefully clean the breech bolt and barrel & chamber area.
	Ammunition with rim out of tolerance	Change brand of ammunition
	Weak hammer spring	Contact our service center
	Firing pin damaged or broken	Contact our service center to obtain a new firing pin
Failure to Extract Empty Shell	Dirty chamber	Clean cartridge chamber with cleaning brush
	Damaged Chamber	Contact a professional gunsmith to polish the chamber
	Damaged Extractor	Contact our service center to obtain a new extractor
	Weak Extractor Spring	Contact our service center to obtain a new extractor spring

<p>The empty shell does not eject</p> <p>(stove pipe)</p>	<p>Damaged ejector Dirty chamber Damaged chamber Damaged extractor</p> <p>Weak extractor spring</p>	<p>Replace magazine Clean cartridge chamber with cleaning brush Contact a professional gunsmith to polish the chamber Contact our service center to obtain a new extractor Contact our service center to obtain a new extractor spring</p>
<p>The slide stays completely open</p>	<p>Dirt / Debris in Action</p> <p>Weak recoil spring</p>	<p>Disassemble and carefully clean the pistol</p> <p>Contact our service center to obtain a new spring.</p>
<p>Ammunition does not chamber</p>	<p>Incorrect Ammunition</p> <p>Dirt / Debris in action or chamber</p> <p>Magazine not properly seated</p> <p>Bullet crimp / design</p>	<p>Check the ammunition and change type if necessary</p> <p>Disassemble and carefully clean the pistol</p> <p>Check the magazine for correct fit and operation.</p> <p>Check the ammunition and change type if necessary</p>
<p>The pistol fires with safety "On"</p>	<p>Mechanical Issue</p>	<p>Do not attempt to use the pistol, contact our service center immediately to arrange shipment of the pistol</p>
<p>Barrel bushing hard to disassemble</p>	<p>Tolerance too close</p>	<p>Turn the bushing 90°, use a plastic hammer to move it out.</p>
<p>The pistol shoots low (Standard Model)</p>	<p>Front sight needs adjustment</p>	<p>Gradually lower the front sights (with a file) until you reach the correct point of impact. (Note: Different brands of ammunition may have different POI "Point of Impact")</p>
<p>The pistol shoots low (target version)</p>	<p>Rear sight needs adjustment</p>	<p>Lift the rear sight to raise the point of impact or vice versa to lower it.</p>
<p>Shooting left or right (Windage)</p>	<p>Rear sight needs adjustment</p>	<p>Move the rear sight the opposite direction of error (If POI "Point of Impact" is left of center, move the rear sight to the right)</p>

GUARANTEE CONDITIONS

Armi Sport guarantees that our products are scrupulously checked against defects in materials, workmanship and aesthetical and functioning problems.

In case you find a defect in one of our products, you should immediately contact the DEALER/SHOP/GUNSMITH where you have bought your gun. The seller will indicate the conditions for the repair, which will be either made directly by them or through our assistance.

ATTENTION: end users are not allowed to ship any gun directly to Armi Sport for repair, either under guarantee or against payment. Transportation of weapons is strictly regulated and the documents which are required can solely be issued by companies with specific authorization.

1. Armi Sport will warrant for structural or project defects without any time limit.
2. Armi Sport guarantees, for a year after the purchase date, the free substitution of parts for defects which have been found out also during use: wear of parts which shouldn't be subject to wear, or excessive wear of parts subject to wear. The customer will have to give evidence of the purchase date with a bill or other valid proof.
3. In case the defect under cover of guarantee is not repairable, Armi Sport will provide for a free substitution of the weapon.

ARMI SPORT RESERVES THE RIGHT OF DEFINING THE TYPE OF DEFECT OF THE WEAPON, AND THEREFORE TO STATE WHETHER THE DEFECT IS COVERED BY GUARANTEE –Armi Sport's decision will be fair but final.

Armi Sport will be allowed a timing of 60 days for repair under guarantee, and 90 days for free substitution.

We strongly recommend that you keep the receipt
or proof of purchase for any Armi Sport product

THE GUARANTEE IS VOID IN CASE:

- Inadequate ammunition has been used (any ammunition but those commonly on sale, reloaded ammunition, different from caliber and specification indicated on the gun barrel)
- The gun failed to be provided proper maintenance and cleaning
- The gun has been modified without our prior consent
- Unauthorized, inadequate or incorrect repairs have been carried out
- Parts subject to wear and corrosion
- Damage (improper use of the gun by the user)
- Expired guarantee

In the above cases the repair, if carried out, will be charged to the customer

The guarantee does not cover parts subject to wear and corrosion

In case non original spare parts are used, the guarantee or any service contract with Armi Sport will be void.

ATTENTION: delivery expenses to and from the service center are not covered by the guarantee and will be charged to the customer.

In case, for any valid reason, you do not have the possibility to obtain repair under guarantee at the shop where you bought the gun, you may contact us directly; we will indicate a local dealer to support you with the repair file:

Phone: 937-835-5000

e-mail: info@chiappafirearms.com

Should Chiappa Firearms / Armi Sport become aware of a defect of a product during the guarantee period, the defective part will be replaced free of charge.

This instruction manual must always follow the firearm, including change of ownership

Procedure for the usage of the guarantee

BEFORE shipping the weapon back for repair, the customer should contact the gunshop where the product was bought. The customer should supply proper information on the defect, and the relevant file will then be started.

The gun shop will be given an “NDR” (Repair Number). The weapon will have to be shipped back to the gun shop in its original packing, with a copy of the purchase date, the Guarantee Form (attached) duly filed with indication of the NDR number, according to the instructions of the dealer.

WARNING: the returned gun must be protected with adequate packaging; any damages occurred during transportation and handling will be the customer’s responsibility



Request form

REPAIR UNDER GUARANTEE

NdR NDR : _____

Please write in the above box the Repair Number you were given by the gun shop

1. Customer data:

- Name: _____
- Address : _____
- City : _____ State _____
- ZIP Code : _____
- Phone : _____ Available from _____ to _____
- E-Mail : _____

2. Product information:

- Model : _____
- Serial number : _____

3. Gun Shop - dealer:

- Purchase date : _____
- Dealer name : _____
- Dealer address : _____

4. Description of defect:

Documents to attach: Proof of purchase date



Chiappa Firearms, Ltd.
6785 W. Third Street
Dayton, OH 45427 USA
Tel. 937-835-5000
www.chiappafirearms.com
email: info@chiappafirearms.com



Armi Sport
di Chiappa Silvia & C Snc
Via Milano N°2 Azzano Mella (BS)
Tel. 030 9749065 Fax 030 9749232
www.armichiappa.com
email: info@armisport.com



Kimar Srl
Via Milano N°2 Azzano Mella (BS)
Tel. 030 9749065 Fax 030 9749232
www.armichiappa.com
email: info@kimar.com