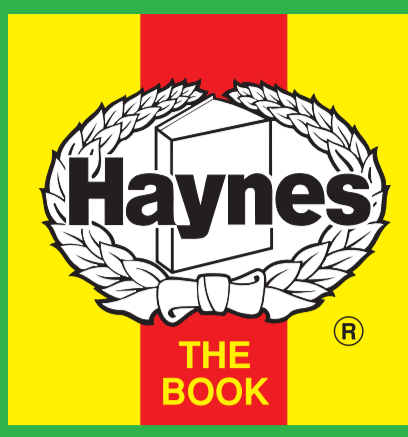


[Engine & Cooling](#)
[Fuel](#)
[Ignition](#)
[Electrical](#)
[Running gear](#)
[Torque settings](#)
[Capacities](#)
[Notes & Illustrations](#)



Automotive Technical DATA BOOK

Click on one of the buttons above to view data for this car. To return to this screen and make another choice, click anywhere on the data screen.

MENU

HELP

Engine and cooling system Traffic P1400 rwd (Pxx2) 1986 to 1995

Type		J5R-7-26
Capacity (cm ³) / number of cylinders		1995 / 4
Compression ratio / pressure	bar	8.0 / _
Oil pressure	bar	0.8 [3.0]
Oil temperature	°C	80
Valve clearance - inlet	mm	0.10
Valve clearance - exhaust	mm	0.25
Firing order		1-3-4-2
No 1 cylinder position		FE
Thermostat opening temperature	°C	_
Radiator cap pressure	bar	0.8 to 1.2

Fuel system Traffic P1400 rwd (Pxx2) 1986 to 1995

Idle speed - manual [auto]	rpm	800±50 [780: 700±50]
Fast idle speed - manual [auto]	rpm	_
CO @ idle speed [3000 rpm] - see page VI	%	1.5±0.5
HC @ idle speed [3000 rpm] - see page VI	ppm	≤1200
CO ₂ @ idle speed [3000 rpm] - see page VI	%	_
O ₂ @ idle speed [3000 rpm] - see page VI	%	_
Carburettor / fuel injection		Solex
Type / ref		35SEIA 888 / 911 / 811 / 780
Main jet / needle		135
Injection pressure	bar	_
Pump pressure	bar	0.27 to 0.32
Octane rating	RON	90[R] ¹

Ignition system Traffic P1400 rwd (Pxx2) 1986 to 1995

Type		Electronic ²
Ignition coil		_
Primary resistance	ohms	0.4 to 0.8
Ballast resistor	ohms	_
Voltage - Tmnl 15(+) to earth	V	_
Distributor		Ducellier
Points gap (air gap)	mm	_
Dwell angle	° (%)	_
Condenser capacity	µF	_
Rotation		Clockwise
Ignition timing - basic [static	° Crankshaft @ rpm	10±1 BTDC @ 800±50
V = Vacuum NV = No Vacuum		NV
Total ignition advance	° Crankshaft @ rpm	RE250
	° Crankshaft @ rpm	_
	° Crankshaft @ rpm	_
Centrifugal check.	° Crankshaft @ rpm	10 to 12 @ 750
	° Crankshaft @ rpm	10 to 13 @ 1550
	° Crankshaft @ rpm	37 to 40 @ 4050
Vacuum range check	mbar	0 to 300
Maximum vacuum advance	° Crankshaft	≥8
Spark plugs		Champion
Type		N281YC
Electrode gap	mm	0.90±0.05

Electrical system Traffic P1400 rwd (Pxx2) 1986 to 1995

Battery	V / CC / RC	12 / 255 / 85
Alternator voltage / full load current / engine rpm		13.5 to 15.0 / _ / 3000
Starter motor current / voltage - cranking	A / V	_
- locked	A / V	360 / _

Running gear Traffic P1400 rwd (Pxx2) 1986 to 1995

Brakes -		
Front (min. friction material thickness)	mm	9.0 with backing
Rear (min. friction material thickness)	mm	5.0 with backing
Tyres		
Saloon	Size	_
Estate / Van	Size	195x14: 205x14
Pressure - front / rear - Saloon	bar	_
- Estate / Van	bar	2.5 / 3.8 ³
Front suspension / wheel alignment		
Toe-in (+) / Toe-out (-)	mm [°]	+2.0±1.0
Camber		+1°±30'
Castor		+3°±30' [87 ▶: +1°30'±30']
King pin inclination		+9°±30'
Rear suspension / wheel alignment		
Toe-in (+) / Toe-out (-)	mm [°]	0 to +3.0
Camber		0 to +30'

Torque wrench settings Traffic P1400 rwd (Pxx2) 1986 to 1995

Cylinder head - stage 1	Nm	88 to 98
- stage 2	Nm	_
Cylinder head - stage 3	Nm	_
- stage 4	Nm	_
Big-end bearings	Nm	45 to 50
Main bearings	Nm	88 to 98
Clutch cover	Nm	25
Flywheel [driveplate]	Nm	55 to 60
Front hubs	Nm	350
Rear hubs	Nm	WSM
Wheel nuts / bolts	Nm	90 ⁴
Spark plugs	Nm	_

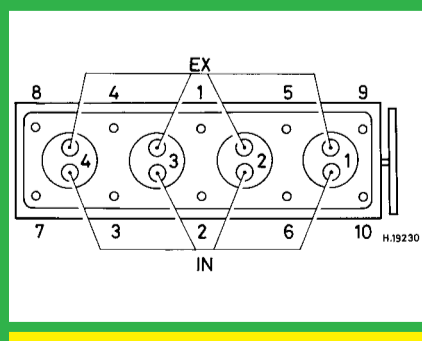
Capacities Traffic P1400 rwd (Pxx2) 1986 to 1995

Engine oil & filter	litres	6.2
Gearbox - 4-speed [5-speed]	litres	2.7
Automatic transmission - refill	litres	_
Final drive	litres	1.3
Cooling system	litres	7.1. 89 ▶: 7.5
Fuel tank	litres	70

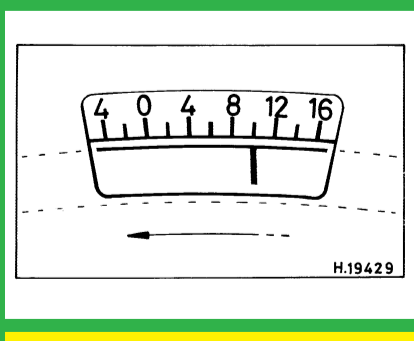
Notes and Illustrations

- ¹89 ▶: [E 95 RON]
- ²89 ▶: AEI
- ³205x14: 2.8 / 4.2
- ⁴89 ▶: 110 to 130

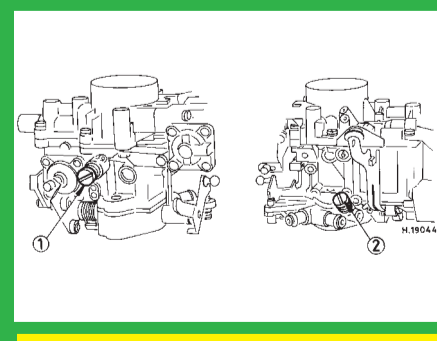
1: Idle speed 2: CO / Mixture



1995 cm³



1995 cm³



Solex 35 SEIA