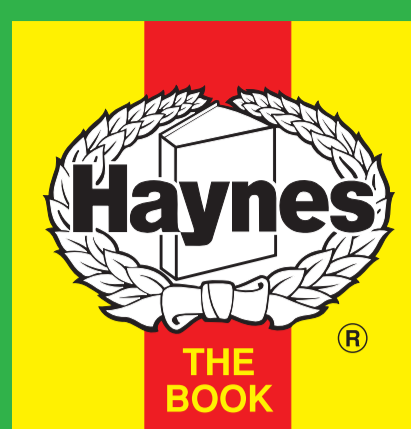


Engine & Cooling	Fuel	Ignition	Electrical	Running gear	Torque settings	Capacities	Notes & Illustrations
------------------	------	----------	------------	--------------	-----------------	------------	-----------------------



Automotive Technical DATA BOOK

Click on one of the buttons above to view data for this car. To return to this screen and make another choice, click anywhere on the data screen.

MENU **HELP**

Engine and cooling system 504, 1.8 Pick-up 1985 to 1994

Type		XM7 (105A) 53kW
Capacity (cm ³) / number of cylinders		1796 / 4
Compression ratio / pressure	bar	8.8 / _
Oil pressure	bar	2.7 [3.8]
Oil temperature	°C	90
Valve clearance - inlet	mm	0.10
Valve clearance - exhaust	mm	0.25
Firing order		1-3-4-2
No 1 cylinder position		FE
Thermostat opening temperature	°C	75
Radiator cap pressure	bar	0.8

Fuel system 504, 1.8 Pick-up 1985 to 1994

Idle speed - manual [auto]	rpm	900 to 950
Fast idle speed - manual [auto]	rpm	_
CO @ idle speed [3000 rpm] - see page VI	%	2.0
HC @ idle speed [3000 rpm] - see page VI	ppm	≤1200
CO ₂ @ idle speed [3000 rpm] - see page VI	%	≥10.0
O ₂ @ idle speed [3000 rpm] - see page VI	%	_
Carburettor / fuel injection		Solex
Type / ref		34 BICSA-3 A299
Main jet / needle		140±2.5
Injection pressure	bar	_
Pump pressure	bar	0.33
Octane rating	RON	91[L] ¹

Ignition system 504, 1.8 Pick-up 1985 to 1994

Type		Electronic
Ignition coil		Ducellier, SEV
Primary resistance	ohms	0.82
Ballast resistor	ohms	_
Voltage - Tmnl 15(+) to earth	V	_
Distributor		Ducellier
Points gap (air gap)	mm	_
Dwell angle	° (%)	_
Condenser capacity	µF	_
Rotation		Clockwise
Ignition timing - basic [static	° Crankshaft @ rpm	6 BTDC @ idle
V = Vacuum NV = No Vacuum		NV
Total ignition advance	° Crankshaft @ rpm	M130E
Centrifugal check.	° Crankshaft @ rpm	3 to 7 @ 1000
Vacuum range check	mbar	160 to 400
Maximum vacuum advance	° Crankshaft	18 to 22
Spark plugs		Bosch/Champion
Type		W7DC / RN9YCC
Electrode gap	mm	0.65 88 ▶:0.80

Electrical system 504, 1.8 Pick-up 1985 to 1994

Battery	V / CC / RC	12 / 210 / 65
Alternator voltage / full load current / engine rpm		13.8 to 14.8 / _ / 3000
Starter motor current / voltage - cranking	A / V	_
- locked	A / V	_

Running gear 504, 1.8 Pick-up 1985 to 1994

Brakes -		
Front (min. friction material thickness)	mm	_
Rear (min. friction material thickness)	mm	_
Tyres		
Saloon	Size	_
Estate / Van	Size	185x15
Pressure - front / rear - Saloon	bar	_
- Estate / Van	bar	1.6 / 4.0 ²
Front suspension / wheel alignment		
Toe-in (+) / Toe-out (-)	mm [°]	+2.2±1.0
Camber		+45'±30'
Castor		+1°30'±45'
King pin inclination		+8°54'±30'
Rear suspension / wheel alignment		
Toe-in (+) / Toe-out (-)	mm [°]	0
Camber		0

Torque wrench settings 504, 1.8 Pick-up 1985 to 1994

Cylinder head - stage 1	Nm	50 ³
- stage 2	Nm	Slacken, then 20 ³
Cylinder head - stage 3	Nm	+ 90 ³
- stage 4	Nm	Repeat from S2 after warm up ³
Big-end bearings	Nm	40
Main bearings	Nm	75
Clutch cover	Nm	15
Flywheel [driveplate]	Nm	68
Front hubs	Nm	WSM
Rear hubs	Nm	250
Wheel nuts / bolts	Nm	Steel: 60
Spark plugs	Nm	23

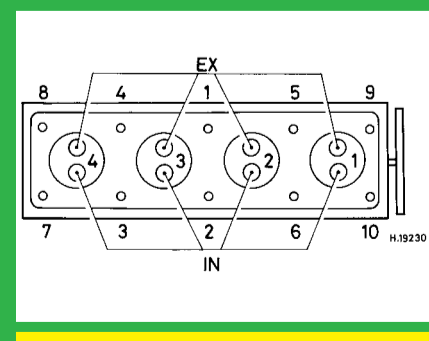
Capacities 504, 1.8 Pick-up 1985 to 1994

Engine oil & filter	litres	4.5
Gearbox - 4-speed [5-speed]	litres	1.2 [1.9]
Automatic transmission - refill	litres	_
Final drive	litres	1.6
Cooling system	litres	7.8
Fuel tank	litres	64

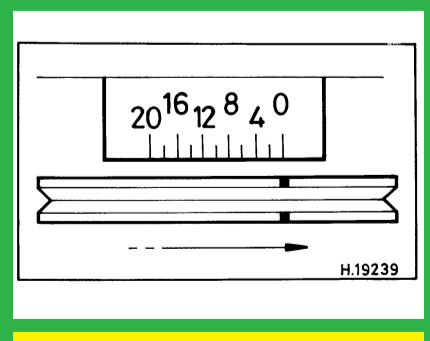
Notes and Illustrations

¹1986 ▶: [E 95 RON]
²Varies according to tyre manufacturer
³VIN 3995 001 ▶: 50, slacken, then 20 + 180°. Warm up, + 35

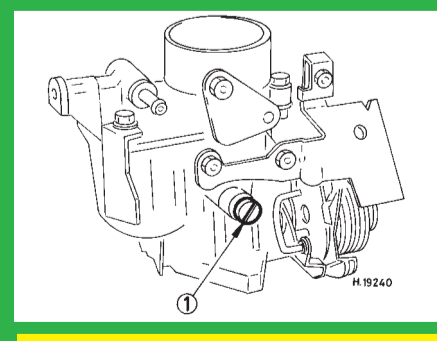
1: Idle speed 2: CO / Mixture



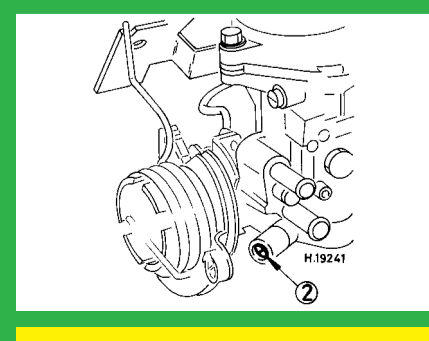
1796 cm³



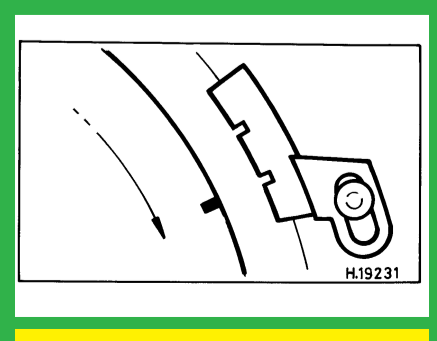
1796 cm³



Solex BICSA



Solex BICSA



1796 cm³, later