

Engine & Cooling	Fuel	Ignition	Electrical	Running gear	Torque settings	Capacities	Notes & Illustrations
------------------	------	----------	------------	--------------	-----------------	------------	-----------------------



# Automotive Technical DATA BOOK

Click on one of the buttons above to view data for this car. To return to this screen and make another choice, click anywhere on the data screen.

MENU

HELP

## Engine and cooling system Laurel 2.4i (C32) 1985 to 1991

Type		L24E
Capacity (cm <sup>3</sup> ) / number of cylinders		2393 / 6
Compression ratio / pressure	bar	8.9 / ≥8.8
Oil pressure	bar	[2.9]
Oil temperature	°C	-
Valve clearance - inlet	mm	0.25 H
Valve clearance - exhaust	mm	0.30 H
Firing order		1-5-3-6-2-4
No 1 cylinder position		TCE
Thermostat opening temperature	°C	82
Radiator cap pressure	bar	0.78 to 0.98

## Fuel system Laurel 2.4i (C32) 1985 to 1991

Idle speed - manual [auto]	rpm	700±50 [750±50]
Fast idle speed - manual [auto]	rpm	-
CO @ idle speed [3000 rpm] - see page VI	%	3.3 with full enrichment
HC @ idle speed [3000 rpm] - see page VI	ppm	≤1200
CO <sub>2</sub> @ idle speed [3000 rpm] - see page VI	%	-
O <sub>2</sub> @ idle speed [3000 rpm] - see page VI	%	-
Carburettor / fuel injection		Nissan
Type / ref		Electronic injection
Main jet / needle		-
Injection pressure	bar	2.1
Pump pressure	bar	2.6
Octane rating	RON	88[R]

## Ignition system Laurel 2.4i (C32) 1985 to 1991

Type		Electronic
Ignition coil		Hitachi. Hanshin
Primary resistance	ohms	0.83 to 1.03
Ballast resistor	ohms	-
Voltage - Tmnl 15(+) to earth	V	-
Distributor		Hitachi
Points gap (air gap)	mm	[0.30 to 0.50]
Dwell angle	° (%)	-
Condenser capacity	µF	-
Rotation		Anticlockwise
Ignition timing - basic [static	° Crankshaft @ rpm	10±2 BTDC @ idle
V = Vacuum NV = No Vacuum		NV
Total ignition advance	° Crankshaft @ rpm	-
	° Crankshaft @ rpm	-
	° Crankshaft @ rpm	-
Centrifugal check.	° Crankshaft @ rpm	0 @ 1000
	° Crankshaft @ rpm	-
	° Crankshaft @ rpm	15 @ 2400
Vacuum range check	mbar	133 to 333
Maximum vacuum advance	° Crankshaft	20
Spark plugs		NGK/Champion
Type		BPR6ES-11 / RN9YC
Electrode gap	mm	1.00 to 1.10

## Electrical system Laurel 2.4i (C32) 1985 to 1991

Battery	V / CC / RC	12 / 60Ah
Alternator voltage / full load current / engine rpm		14.1 to 14.7 / _ / 2500
Starter motor current / voltage - cranking	A / V	100 / 11.5 (no load)
- locked	A / V	-

## Running gear Laurel 2.4i (C32) 1985 to 1991

<b>Brakes -</b>		
Front (min. friction material thickness)	mm	2.0
Rear (min. friction material thickness)	mm	1.5

<b>Tyres</b>		
Saloon	Size	185/70x14: 195/70x14:205/60x15
Estate / Van	Size	-
Pressure - front / rear - Saloon	bar	1.7 / 1.7
- Estate / Van	bar	-

## Front suspension / wheel alignment

Toe-in (+) / Toe-out (-)	mm [°]	0 to +2.0
Camber		-10' to +1°20' N/A
Castor		+4°10' to 5°40' N/A
King pin inclination		+11°50' to 13°20' N/A

## Rear suspension / wheel alignment

Toe-in (+) / Toe-out (-)	mm [°]	-5.0 to -1.0'
Camber		+27' to 1°57' <sup>2</sup>

## Torque wrench settings Laurel 2.4i (C32) 1985 to 1991

Cylinder head - stage 1	Nm	78 to 88 in stages
- stage 2	Nm	-
Cylinder head - stage 3	Nm	-
- stage 4	Nm	-
Big-end bearings	Nm	32 to 36
Main bearings	Nm	45 to 54
Clutch cover	Nm	20 to 29
Flywheel [driveplate]	Nm	127 to 147
Front hubs	Nm	34 to 39
Rear hubs	Nm	294 to 392
Wheel nuts / bolts	Nm	98 to 118
Spark plugs	Nm	20 to 29

## Capacities Laurel 2.4i (C32) 1985 to 1991

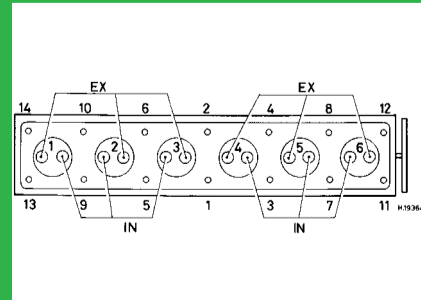
Engine oil & filter	litres	4.4
Gearbox - 4-speed [5-speed]	litres	2.0
Automatic transmission - refill	litres	7.0
Final drive	litres	1.0
Cooling system	litres	8.9. 89 ▶: 9.7
Fuel tank	litres	65

## Notes and Illustrations

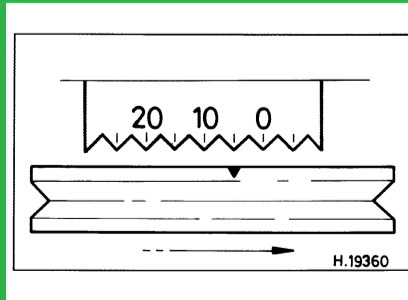
<sup>1</sup>Auto levelling: -3.0 to +3.0

<sup>2</sup>Auto levelling: -2°15' to 0

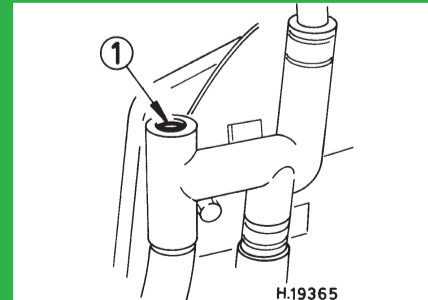
1: Idle speed 2: CO / Mixture



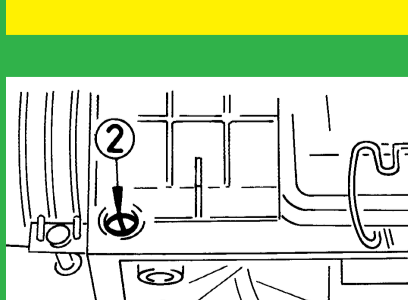
2393 cm<sup>3</sup>



2393 cm<sup>3</sup>



EFi, 2393 cm<sup>3</sup>



EFi, 2393 cm<sup>3</sup>