

|                  |      |          |            |              |                 |            |                       |
|------------------|------|----------|------------|--------------|-----------------|------------|-----------------------|
| Engine & Cooling | Fuel | Ignition | Electrical | Running gear | Torque settings | Capacities | Notes & Illustrations |
|------------------|------|----------|------------|--------------|-----------------|------------|-----------------------|



# Automotive Technical DATA BOOK

Click on one of the buttons above to view data for this car. To return to this screen and make another choice, click anywhere on the data screen.

MENU

HELP

## Engine and cooling system Space Wagon 1984 to 1988

|   |     |              |
|---|-----|--------------|
| Type  |     | 4G37         |
| Capacity (cm <sup>3</sup> ) / number of cylinders |     | 1755 / 4     |
| Compression ratio / pressure                      | bar | 9.5 / ≥9.6   |
| Oil pressure                                      | bar | —            |
| Oil temperature                                   | °C  | —            |
| Valve clearance - inlet                           | mm  | 0.15 H       |
| Valve clearance - exhaust                         | mm  | 0.25 H       |
| Firing order                                      |     | 1-3-4-2      |
| No 1 cylinder position                            |     | TBE          |
| Thermostat opening temperature                    | °C  | 88           |
| Radiator cap pressure                             | bar | 0.76 to 1.04 |

## Fuel system Space Wagon 1984 to 1988

|   |     |                    |
|---|-----|--------------------|
| Idle speed - manual [auto]                            | rpm | 800±50             |
| Fast idle speed - manual [auto]                       | rpm | —                  |
| CO @ idle speed [3000 rpm] - see page VI              | %   | 1.5±0.5            |
| HC @ idle speed [3000 rpm] - see page VI              | ppm | ≤1200              |
| CO <sub>2</sub> @ idle speed [3000 rpm] - see page VI | %   | —                  |
| O <sub>2</sub> @ idle speed [3000 rpm] - see page VI  | %   | —                  |
| Carburettor / fuel injection                          |     | Aisan              |
| Type / ref  |     | 2V                 |
| Main jet / needle                                     |     | —                  |
| Injection pressure                                    | bar | —                  |
| Pump pressure   | bar | 0.30 to 0.40       |
| Octane rating   | RON | 97[R] <sup>1</sup> |

## Ignition system Space Wagon 1984 to 1988

|                                 |                    |                 |
|---------------------------------|--------------------|-----------------|
| Type                            |                    | Electronic      |
| Ignition coil                   |                    | MD 069937       |
| Primary resistance              | ohms               | 1.08 to 1.32    |
| Ballast resistor                | ohms               | 1.22 to 1.49    |
| Voltage - Tmnl 15(+) to earth   | V                  | —               |
| Distributor                     |                    | Mitsubishi      |
| Points gap (air gap)            | mm                 | [0.80]          |
| Dwell angle                     | ° (%)              | —               |
| Condenser capacity              | µF                 | —               |
| Rotation                        |                    | Clockwise       |
| Ignition timing - basic [static | ° Crankshaft @ rpm | 13±2 BTDC @ 850 |
| V = Vacuum NV = No Vacuum       |                    | NV              |
| Total ignition advance          | ° Crankshaft @ rpm | —               |
|                                 | ° Crankshaft @ rpm | —               |
|                                 | ° Crankshaft @ rpm | —               |
| Centrifugal check.              | ° Crankshaft @ rpm | 0 @ 1000        |
|                                 | ° Crankshaft @ rpm | 9 @ 2500        |
|                                 | ° Crankshaft @ rpm | 14 @ 6000       |
| Vacuum range check              | mbar               | 107 to 480      |
| Maximum vacuum advance          | ° Crankshaft       | 20              |
| Spark plugs                     |                    | NGK/Champion    |
| Type                            |                    | BPR6ES / RN9YC  |
| Electrode gap                   | mm                 | 0.70 to 0.80    |

## Electrical system Space Wagon 1984 to 1988

|   |             |                         |
|---|-------------|-------------------------|
| Battery   | V / CC / RC | 12 / 60Ah               |
| Alternator voltage / full load current / engine rpm |             | 13.4 to 14.9 / _ / 3000 |
| Starter motor current / voltage - cranking          | A / V       | 60 / 11.5 (no load)     |
| - locked  | A / V       | —                       |

## Running gear Space Wagon 1984 to 1988

|  |    |     |
|--|----|-----|
| <b>Brakes -</b>                          |    |     |
| Front (min. friction material thickness) | mm | 1.0 |
| Rear (min. friction material thickness)  | mm | 1.0 |

|                                  |      |                   |
|----------------------------------|------|-------------------|
| <b>Tyres</b>                     |      |                   |
| Saloon                           | Size | —                 |
| Estate / Van                     | Size | 165x13: 185/70x13 |
| Pressure - front / rear - Saloon | bar  | —                 |
| - Estate / Van                   | bar  | 1.7 / 1.7         |

## Front suspension / wheel alignment

|                          |        |          |
|--------------------------|--------|----------|
| Toe-in (+) / Toe-out (-) | mm [°] | 0±1.5    |
| Camber                   |        | +25'±30' |
| Castor                   |        | +48'±30' |
| King pin inclination     |        | —        |

## Rear suspension / wheel alignment

|                          |        |      |
|--------------------------|--------|------|
| Toe-in (+) / Toe-out (-) | mm [°] | 0    |
| Camber                   |        | -40' |

## Torque wrench settings Space Wagon 1984 to 1988

|                         |    |            |
|-------------------------|----|------------|
| Cylinder head - stage 1 | Nm | 70 to 75 C |
| - stage 2               | Nm | 80 to 85 H |
| Cylinder head - stage 3 | Nm | —          |
| - stage 4               | Nm | —          |
| Big-end bearings        | Nm | 32 to 35   |
| Main bearings           | Nm | 50 to 55   |
| Clutch cover            | Nm | 15 to 22   |
| Flywheel [driveplate]   | Nm | 130 to 140 |
| Front hubs              | Nm | WSM        |
| Rear hubs               | Nm | WSM        |
| Wheel nuts / bolts      | Nm | 69 to 79   |
| Spark plugs             | Nm | 20 to 30   |

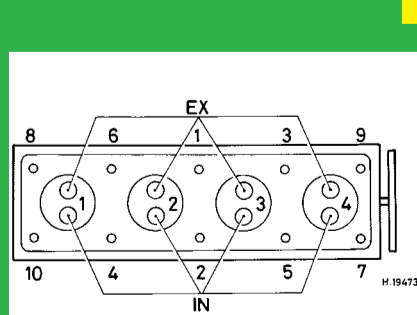
## Capacities Space Wagon 1984 to 1988

|                                 |        |     |
|---------------------------------|--------|-----|
| Engine oil & filter             | litres | 4.0 |
| Gearbox - 4-speed [5-speed]     | litres | 2.1 |
| Automatic transmission - refill | litres | 5.8 |
| Final drive                     | litres | WT  |
| Cooling system                  | litres | 6.0 |
| Fuel tank                       | litres | 50  |

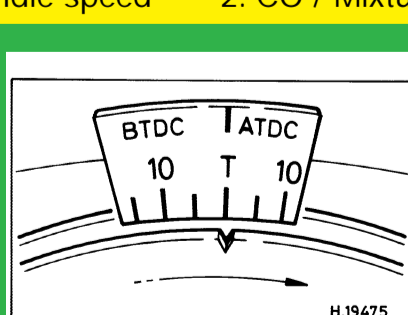
## Notes and Illustrations

<sup>1</sup>86 ▶, with chassis no. prefix G, H or J: [E 98 RON]: retard ignition 2°

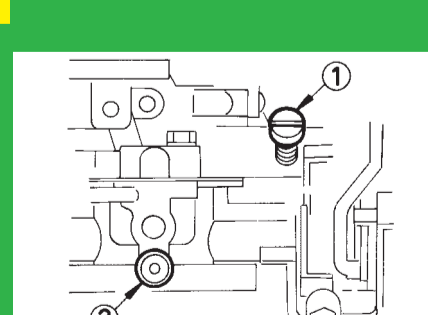
1: Idle speed 2: CO / Mixture



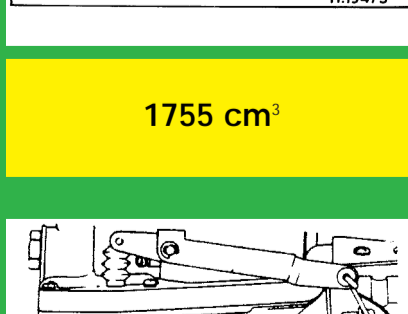
1755 cm<sup>3</sup>



1755 cm<sup>3</sup>



Aisan



Aisan, alternative