

Engine & Cooling	Fuel	Ignition	Electrical	Running gear	Torque settings	Capacities	Notes & Illustrations
------------------	------	----------	------------	--------------	-----------------	------------	-----------------------



Automotive Technical DATA BOOK

Click on one of the buttons above to view data for this car. To return to this screen and make another choice, click anywhere on the data screen.

MENU

HELP

Engine and cooling system Thema V6 1985 to 1988

Type	834 E.000 SOHC	
Capacity (cm ³) / number of cylinders	2849 / 6	
Compression ratio / pressure	bar	9.5 / _
Oil pressure	bar	[3.4 to 4.9]
Oil temperature	°C	100
Valve clearance - inlet	mm	0.10
Valve clearance - exhaust	mm	0.25
Firing order	1-6-3-5-2-4	
No 1 cylinder position	FL	
Thermostat opening temperature	°C	85
Radiator cap pressure	bar	0.98

Fuel system Thema V6 1985 to 1988

Idle speed - manual [auto]	rpm	900±50
Fast idle speed - manual [auto]	rpm	_
CO @ idle speed [3000 rpm] - see page VI	%	1.5±0.5
HC @ idle speed [3000 rpm] - see page VI	ppm	≤1200
CO ₂ @ idle speed [3000 rpm] - see page VI	%	_
O ₂ @ idle speed [3000 rpm] - see page VI	%	_
Carburettor / fuel injection	Bosch	
Type / ref	K-Jetronic	
Main jet / needle	_	
Injection pressure	bar	_
Pump pressure	bar	≤6.0
Octane rating	RON	98[L]

Ignition system Thema V6 1985 to 1988

Type	Electronic	
Ignition coil	Bosch 0 221 122 303	
Primary resistance	ohms	0.63 to 0.77
Ballast resistor	ohms	_
Voltage - Tmnl 15(+) to earth	V	_
Distributor	Bosch	
Points gap (air gap)	mm	[0.50]
Dwell angle	° (%)	_
Condenser capacity	µF	_
Rotation	Anticlockwise	
Ignition timing - basic [static	° Crankshaft @ rpm	12 BTDC @ idle
V = Vacuum NV = No Vacuum	NV	
Total ignition advance	° Crankshaft @ rpm	_
	° Crankshaft @ rpm	_
	° Crankshaft @ rpm	_
Centrifugal check.	° Crankshaft @ rpm	_
	° Crankshaft @ rpm	_
	° Crankshaft @ rpm	≤24±2
Vacuum range check	mbar	_
Maximum vacuum advance	° Crankshaft	≤20±2
Spark plugs	AC/Champion	
Type	42.5LTS / S9YC	
Electrode gap	mm	0.60 to 0.70

Electrical system Thema V6 1985 to 1988

Battery	V / CC / RC	12 / 255 / 85
Alternator voltage / full load current / engine rpm	14.0 to 14.3 / _ / 3500	
Starter motor current / voltage - cranking	A / V	270 / 9.2
- locked	A / V	530 to 570 / 6.6

Running gear Thema V6 1985 to 1988

Brakes -		
Front (min. friction material thickness)	mm	1.5
Rear (min. friction material thickness)	mm	1.5

Tyres		
Saloon	Size	185/70x14: 205/60x14
Estate / Van	Size	_
Pressure - front / rear - Saloon	bar	2.2 / 2.2
- Estate / Van	bar	_

Front suspension / wheel alignment

Toe-in (+) / Toe-out (-)	mm [°]	-1.0 to +1.0
Camber	-40' to 0 N/A	
Castor	+2°30' to 3°10' N/A	
King pin inclination	_	

Rear suspension / wheel alignment

Toe-in (+) / Toe-out (-)	mm [°]	+1.0 to 4.0
Camber	-40' to 0 N/A	

Torque wrench settings Thema V6 1985 to 1988

Cylinder head - stage 1	Nm	60, then slacken
- stage 2	Nm	20
Cylinder head - stage 3	Nm	+ 105° ¹
- stage 4	Nm	_
Big-end bearings	Nm	48
Main bearings	Nm	30 + 75°
Clutch cover	Nm	_
Flywheel [driveplate]	Nm	45 locked
Front hubs	Nm	360
Rear hubs	Nm	320
Wheel nuts / bolts	Nm	98
Spark plugs	Nm	20

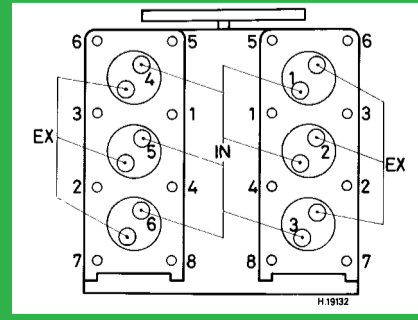
Capacities Thema V6 1985 to 1988

Engine oil & filter	litres	6.6
Gearbox - 4-speed [5-speed]	litres	_
Automatic transmission - refill	litres	3.0
Final drive	litres	WT
Cooling system	litres	6.0
Fuel tank	litres	70

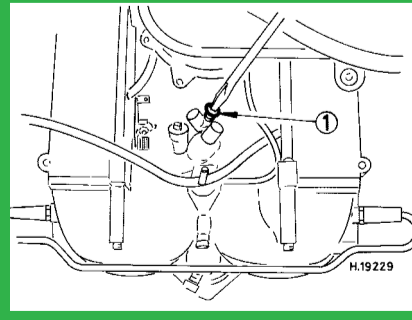
Notes and Illustrations

¹Warm up engine, allow to cool for 2 hours, then + 45°

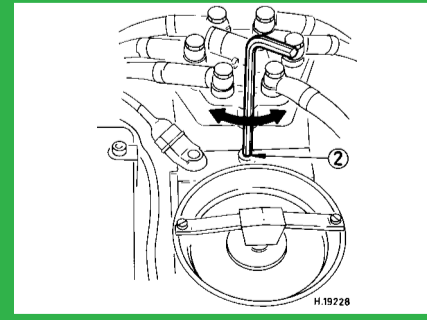
1: Idle speed 2: CO / Mixture



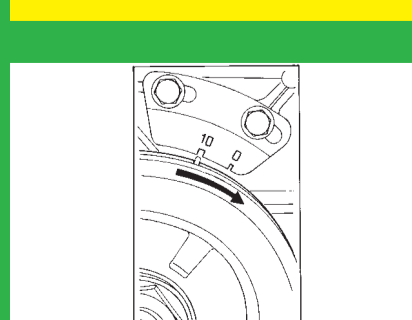
2849 cm³



K-Jetronic



K-Jetronic



2849 cm³